

Temperature and Humidity Virtual Chart Recorder

iTHX-D3 Series



Optional

- ✓ Web Server
- ✓ Alarms by Email or Text Message
- ✓ Accurate Readings
- ✓ Data Logging
- ✓ No Special Software Required

View Temperature and Humidity with a Web Browser

The OMEGA® iTHX transmitter lets you monitor and record temperature, relative humidity, and dew point over an Ethernet network or the Internet with no special software except a web browser.

The iTHX serves active web pages to display real-time readings, charts of temperature and humidity, or log data in standard data formats for use in a spreadsheet or data acquisition program such as Excel or Visual Basic.

The virtual chart viewed on the web page is a JAVA™ Applet that records a chart over the LAN or Internet in real time. With the iTHX, there is no need to invest time and money learning a proprietary software program to log or chart the data.

Adjustable Charts

Chart scales are fully adjustable on the fly. For example, the chart can display one minute, one hour, one day, one week, one month or one year. Temperature and humidity can be charted across the full span [-40 to 124°C (-40 to 254°F)], and 0 to 100% RH or within any narrow range such as 20 to 30°C (68 to 86°F).

Award-Winning Technology

The OMEGA iTHX is simple to install and use, and features OMEGA's award-winning iServer technology that requires no special software except a web browser.

The iTHX connects to an Ethernet network with a standard RJ45 connector and sends data in standard TCP/IP packets. It is easily configured with a simple menu using a web browser and can be password protected.

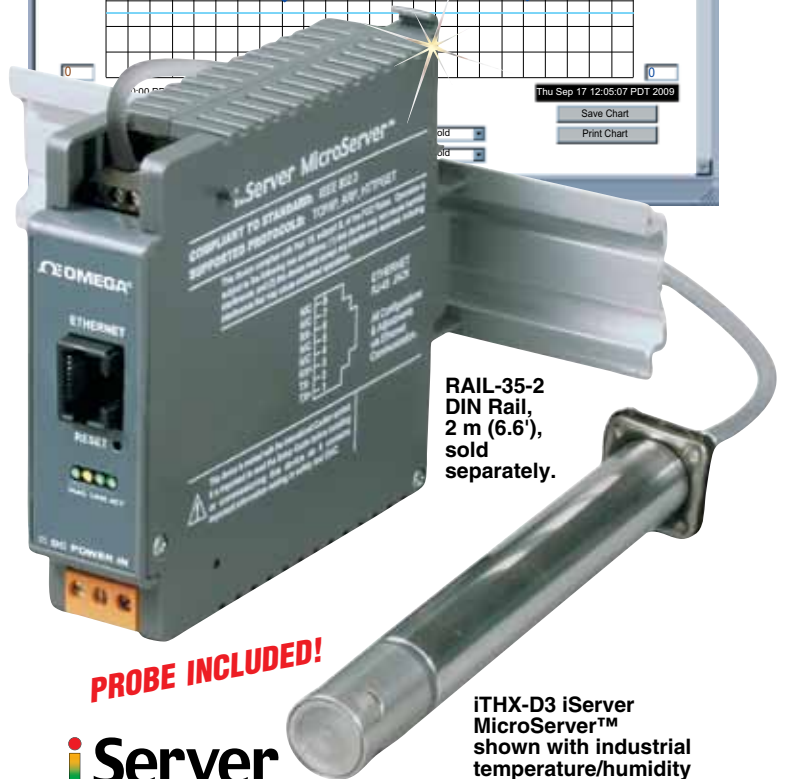
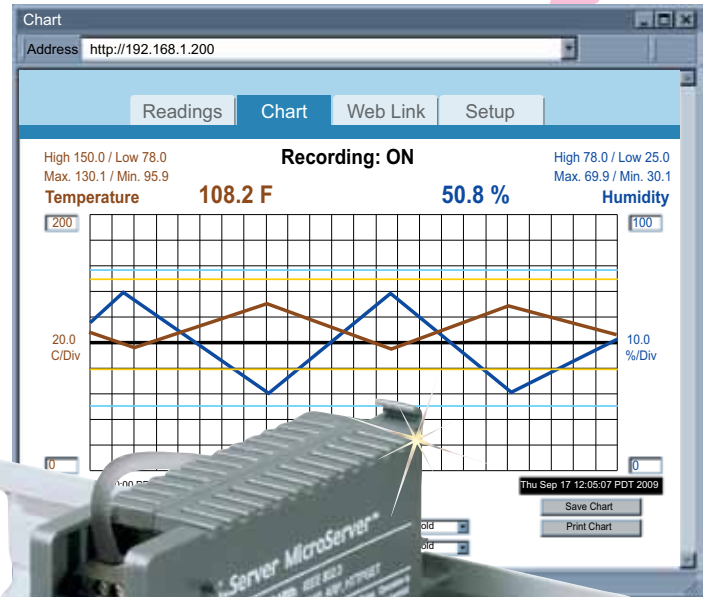
From within an Ethernet LAN or over the Internet, the user simply types the IP address or an easy-to-remember name such as "Cleanroom5" or "Server Room" in any web browser, and the iTHX serves a web page with the current readings.

Email Alarms

All OMEGA iTHX models that are on a LAN that is connected to the Internet can trigger an alarm that can be sent by email to a user or a distribution list anywhere in the world, including text messages to cell phones and PDA's.

Link to Web CAM or IP Camera

The web page includes a link to a "web cam" or "IP camera" (not included). If you get a message about an alarm condition, you can quickly click on the link to view the actual scene over the Internet.



RAIL-35-2
DIN Rail,
2 m (6.6'),
sold
separately.

PROBE INCLUDED!

iServer

iTHX-D3 iServer
MicroServer™
shown with industrial
temperature/humidity
probe (included).

Sensor and Calibration

The iTHX transmitters come complete with a temperature and humidity probe for measurement of a single location.

OMEGA offers a choice of industrial probes in 2" (with a 3' cable) or 5" length (with a 10' cable)



An optional Porous
Stainless Steel Cap
iP-SC is available
for industrial
probes.

iP-SC

Standard



instead of the commercial wand style probe which is designed for ambient indoor applications.

It is not necessary to take the iTHX out of service for routine calibration. The temperature/humidity sensors are interchangeable and can be replaced for about the same cost as a typical calibration.

OMEGA offers replacement probes with optional 3-point NIST traceable calibration certificates.

Typical Applications

The OMEGA iTHX is great for monitoring temperature and humidity in applications such as: clean rooms, computer rooms, HVAC systems, pharmaceutical and food processing and storage, hospitals, laboratories, semiconductor labs, electronic assembly, warehousing, museums, manufacturing, greenhouses and, farm animal shelters.

Sensor Specifications

RELATIVE HUMIDITY (RH)

Accuracy/Range at 25°C:

Non-Condensing:

10 to 90%: 2.75% RH

5 to 10% and 90 to 95%: ±3%

0 to 5% and 95 to 100%: ±4%

Non-Linearity: ±3%

Hysteresis: ±1% RH

Response Time: 8 seconds, tau 63%

Repeatability: ±0.1%

Resolution: 0.1%, 12 bit

TEMPERATURE

Accuracy/Range:**

Industrial Probe: (see chart in manual) ±0.5°C (±1°F) for 5 to 45°C (41 to 113°F); up to ±1.5°C (up to ±2.7°F) for -40 to 5°C and 45 to 124°C (-40 to 41°F and 113 to 255°F)

** Note: Extended temperature range is for industrial probe only, the iServer's operating temp is -40 to 85°C (-40 to 185°F).

Response Time: 5 to 30 seconds, tau 63%

Repeatability: ±0.1°C

Resolution: 0.1°C, 14 bit

Probe Specifications

iTHP-5, iTHP-2: 137 or 51 L x 16 mm Dia (5 or 2 x 0.63")

Housing Material: 316 SS

Cable: 3 or 0.9 m L (10 or 3')

Cable Operating Temperature: -40 to 125°C (-40 to 257°F)

NIST-Traceable Calibration Certificate available. In compliance with ISO9001:2008, ISO10012-1:1992(E), ANSI/NCSL Z540-1:1994 and MIL-STD-45662A.

iServer Specifications

INTERFACES

Ethernet: (RJ45):

Fixed or auto-negotiating 10/100BASE-T, auto MDI/MDIX

Sensor: Removable 4 pos screw terminal

Supported Protocols: TCP, UDP, SNMP, SMTP, NTP, ARP, ICMP, DHCP, DNS, HTTP, and Telnet

Embedded Web Server:

Serves web pages containing real-time data and live updated charts within definable time intervals

Software: OPC Server; macro for data logging in Excel program; compatible with Windows® operating systems

Power Input: 10 to 32 Vdc switching power supply (sold separately)

ENVIRONMENTAL

Operating Temperature:

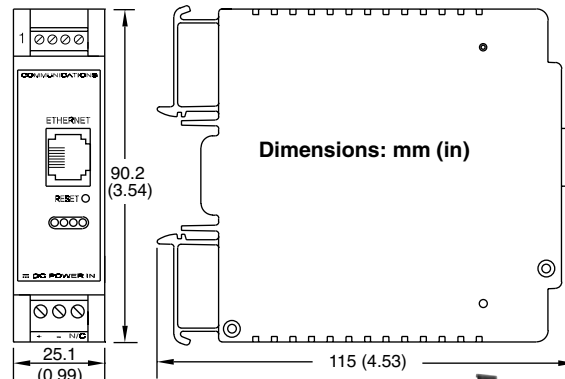
-40 to 85°C (-40 to 185°F)

Storage Temp: -40 to 125°C (-40 to 257°F)

Packaging Material:

Polycarbonate case with DIN rail mount

Mechanical Specifications



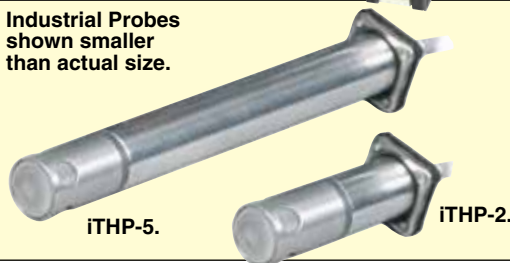
iTHX-D3: 113 g (0.25 lb)



iDRN-PS-1000

- ✓ 24 Vdc Supply
- ✓ Switching Power Supply Powers Up to 7 Units

Industrial Probes shown smaller than actual size.



To Order Visit omega.com/ithx-d3 for Pricing and Details

Model No.	Description
iTHX-D3	DIN rail case iServer MicroServer™ for temperature + humidity and dew point, with industrial 137 mm (5") probe on 3 m (10') cable with stripped wire leads
iTHX-D3-2	DIN rail case iServer MicroServer™ for temperature + humidity and dew point, with industrial 51 mm (2") probe on 0.9 m (3') cable with stripped wire leads
Accessories	
iTHP-2	Replacement industrial probe 51 mm (2"), 0.9 m (3') cable
iTHP-5	Replacement industrial probe 137 mm (5"), 3 m (10') cable
iP-PCI-10P	Porous polyethylene probe cap, for wet environments, 10 caps per pack
iP-SC	Porous stainless steel probe cap, 5 µm porosity, for dusty, pressurized (<35 psi) environments
iDRN-PS-1000	Power supply (switching), 95 to 240 Vac input, 24 Vdc output @ 850 mA (powers up to 7 units)
CAL-3-HU	NIST-traceable calibration certificate. 3 points of 25%, 50%, 75% RH, temperature 25°C (77°F), for new units
CT485B-CAL-KIT	Calibration kit, 33 and 75% RH standards
* -CAL-3-HU	Calibrated replacement probe and NIST calibration certificate
RAIL-35-2	DIN rail, 2 m (6.6')

Volume discounts available.

Ordering Examples: iTHX-D3, iServer MicroServer™ with temp and humidity and dew point, 127 mm (5") industrial probe.

iTHP-5-CAL-3-HU*, calibrated replacement probe, with NIST certificate.