

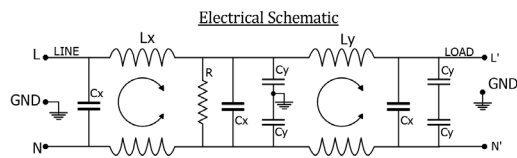
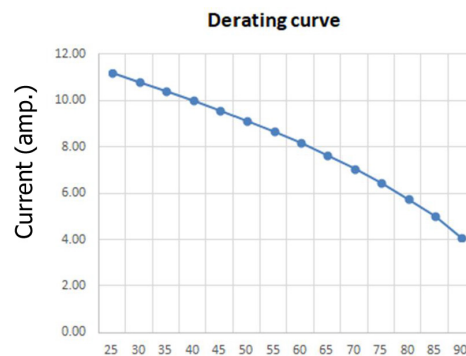
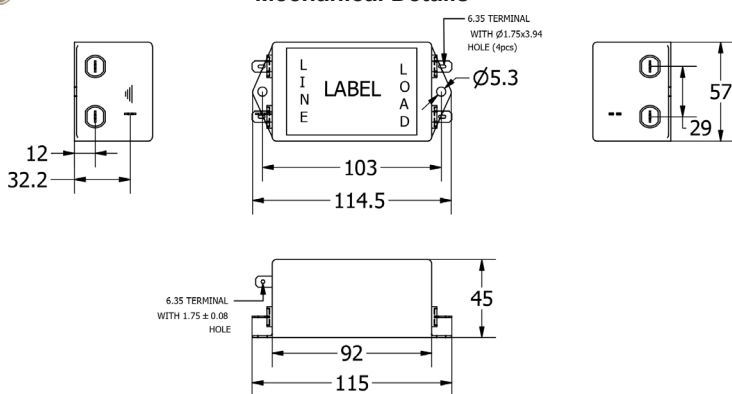
Dual Stage Power Line Filter Chassis Mount

multicomp PRO

**RoHS
Compliant**



Mechanical Details



Temperature °C

Dimensions : Millimetres

Specification

- 1) Rated Voltage (MAX):
10 AMP, 120V AC to 250V AC 50HZ to 60HZ;
- 2) Hi-pot Rating (One Minute):
Line to Ground: 3000V DC
Line to Line : 1100V DC
- 3) Maximum Leakage Line to Ground:
0.04mA @120V AC 60 Hz;
0.07mA @250V AC 50 Hz;
- 4) Climate Class: 25/100/21
Temperature Range: -25°C to +100°C
Overload Current: 1.5x Rated ct. for 1 min.

50Ω to 50Ω Typical Insertion Loss

Frequency MHz	0.01	0.1	0.5	1	2	5	10
Common DB	27	48	55	54	53	70	65
Differential DB	5	42	90	84	74	79	49

Part Number Table

Description	Part Number
Power Line Filter, Very High Performance, 250V AC, 10 A, Single Phase, 2 Stage, Chassis Mount	MP007496

Important Notice : This data sheet and its contents (the "Information") belong to the members of the AVNET group of companies (the "Group") or are licensed to it. No licence is granted for the use of it other than for information purposes in connection with the products to which it relates. No licence of any intellectual property rights is granted. The Information is subject to change without notice and replaces all data sheets previously supplied. The Information supplied is believed to be accurate but the Group assumes no responsibility for its accuracy or completeness, any error in or omission from it or for any use made of it. Users of this data sheet should check for themselves the Information and the suitability of the products for their purpose and not make any assumptions based on information included or omitted. Liability for loss or damage resulting from any reliance on the Information or use of it (including liability resulting from negligence or where the Group was aware of the possibility of such loss or damage arising) is excluded. This will not operate to limit or restrict the Group's liability for death or personal injury resulting from its negligence. Multicomp Pro is the registered trademark of Premier Farnell Limited 2019.

Newark.com/multicomp-pro
Farnell.com/multicomp-pro
Element14.com/multicomp-pro

multicomp PRO