

Product Change Notice

Issue Date: 26-May-2021

Change Description:

New dice replacement for Surface Mount Display

Parts Affected:

HDSM-281C
HDSM-281F
HDSM-281H-LM000
HDSM-281H
HDSM-281L
HDSM-283C
HDSM-283F
HDSM-283H-LM000
HDSM-283H
HDSM-283L
HDSM-291C
HDSM-291F
HDSM-291H
HDSM-291L
HDSM-293C
HDSM-293F
HDSM-293H
HDSM-293L
HDSM-431C
HDSM-431F
HDSM-431H-MN000
HDSM-431H
HDSM-431L
HDSM-433C
HDSM-433F
HDSM-433H
HDSM-433L
HDSM-441C
HDSM-441F
HDSM-441H
HDSM-441L
HDSM-443C
HDSM-443F
HDSM-443H
HDSM-443L
HDSM-531C
HDSM-531F
HDSM-531H-MN000

- HDSM-531H
- HDSM-531L
- HDSM-533C
- HDSM-533F
- HDSM-533H
- HDSM-533L
- HDSM-541C
- HDSM-541F
- HDSM-541H-MN000
- HDSM-541H
- HDSM-541L
- HDSM-543C
- HDSM-543F
- HDSM-543H
- HDSM-543L
- QDSM-381C
- QDSM-781C
- QLCP-K003
- QLCP-S001

Description and Extent of Change:

The new dice will replace the current dice for all affected part numbers.

Reasons for Change:

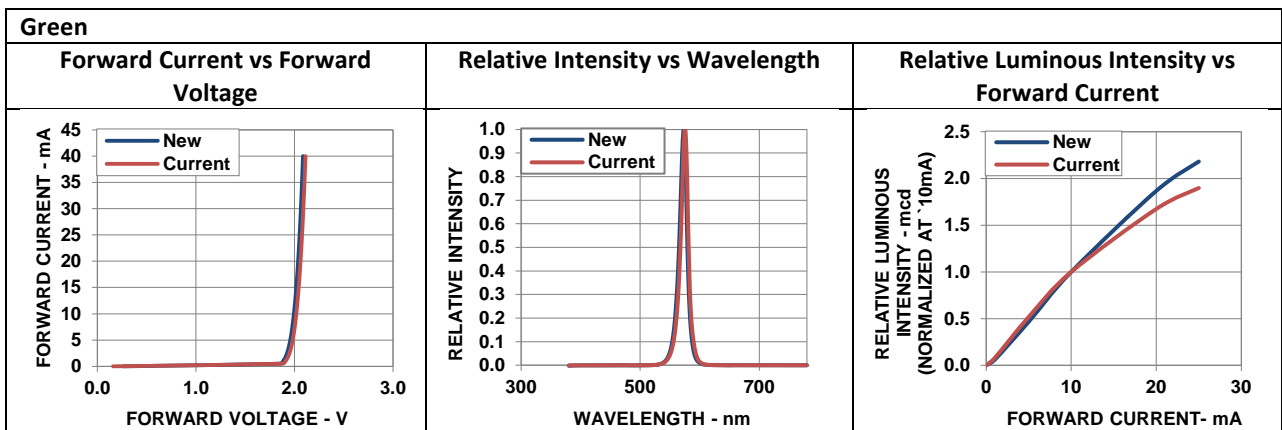
Supply of assurance.

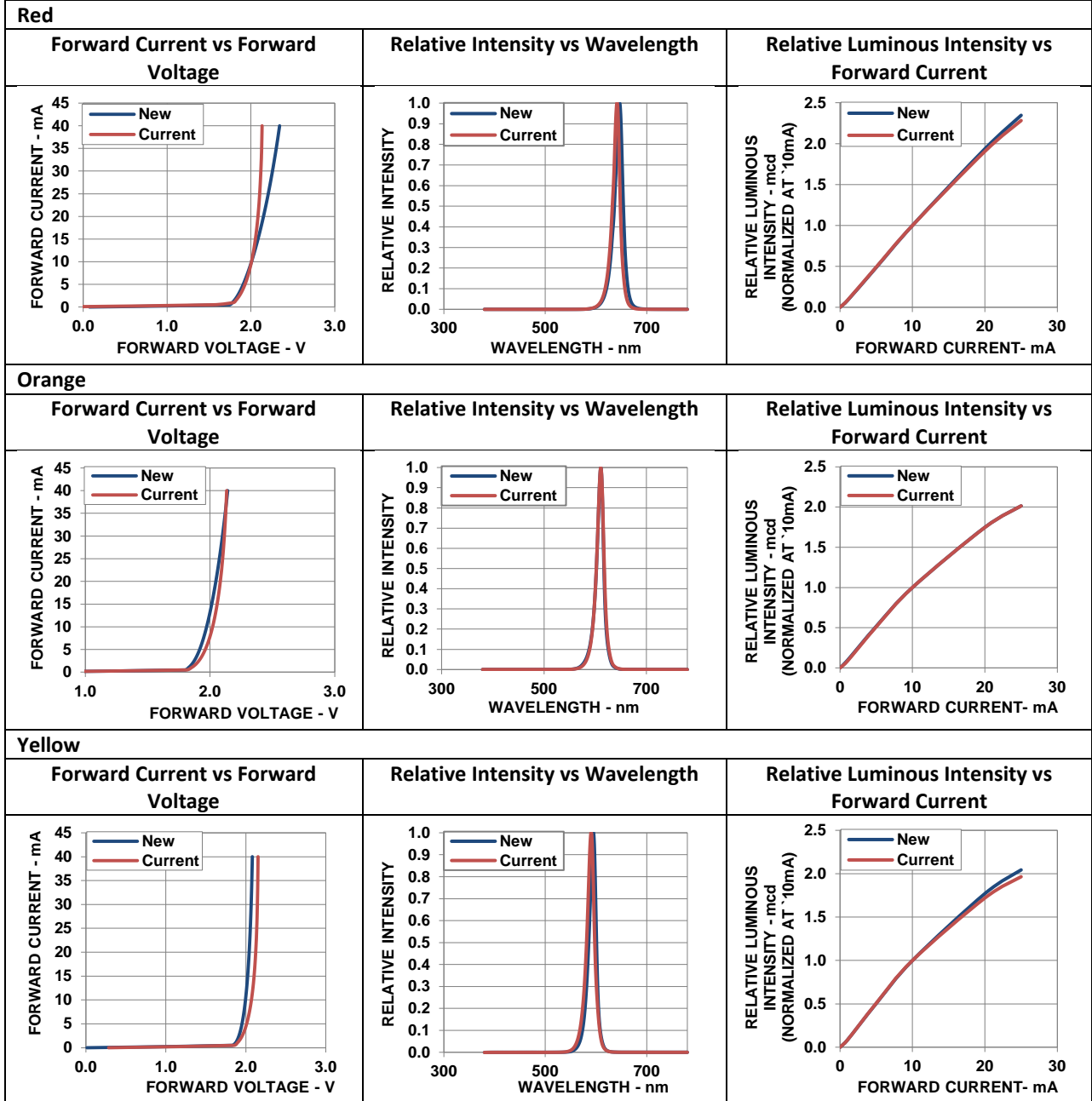
Effect of Change on Fit, Form, Function, Quality, or Reliability:

There is no change in the product fit.

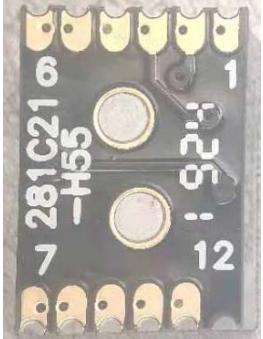


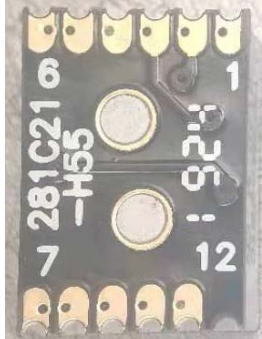




Following are changes in product characteristic:

1. Forward Voltage vs Forward Current
2. Relative Intensity vs Wavelength
3. Relative Intensity vs Forward Current





For HDSM-28xC & HDSM-29xC, there is PCB layout change as illustrated below:

Part	Current (bottom view)	New (bottom view)
HDSM-281C		
HDSM-283C		
HDSM-291C		
HDSM-293C		

Effective Date of Change:

Shipment may contain product from current dice and new dice starting 27th Aug 2021 until the inventory of current dice is fully depleted. There will be no mixed dice within the same reel.

Part identification:

Label for current dice



Label for new dice



Prefix “D” will be added to the Lot number after PCN Change.

Qualification Data:

Qualification Vehicle: HDSM-281C, HDSM-431H, HDSM-441L

Reliability Test	Stress Condition	Result
Temperature Cycle	-40°C / 105°C; 15 5 15min	100x (PASSED)
Temperature Humidity Operating Life	85°C/85%RH; 10mA	1000hrs (PASSED)
High Temperature Operating Life	55°C; 17mA	1000hrs (PASSED)
Temperature Humidity Storage Life	85°C/85%RH	1000hrs (PASSED)
Low Temperature Operating Life	-40°C; 25mA	1000hrs (PASSED)

Please contact your Broadcom field sales engineer or Contact Center for any questions or support requirements. Please acknowledge the receipt of the notice within 30 days of delivery. Lack of acknowledgement within 30 days constitutes acceptance of the change per JEDEC J-STD-046.