



Axicom | Axicom P2 Signal Relay

TE Internal #: 1422006-4

Axicom P2 Signal Relay, Signal Relays, 220VDC Contact Voltage Rating, 250VAC Contact Voltage Rating, 200mW Signal Relay Coil Power Rating (DC)

[View on TE.com >](#)

Relays, Contactors & Switches > Relays > Signal Relays > AXICOM P2 HIGH DIELECTRIC



Contact Voltage Rating: **250 VAC**

Signal Relay Coil Power Rating (DC): **200 mW**

Isolation (HF Parameter): **-20.7dB @ 900MHz, -39dB @ 100MHz**

Insertion Loss (HF Parameter): **-.02dB @ 100MHz, -.27dB @ 900MHz**

[All AXICOM P2 HIGH DIELECTRIC \(3\)](#)

Features

Product Type Features

Relay Type	P2 Relay V23079
Relay Style	P2 V23079 Relay
Product Type	Relay

Electrical Characteristics

Coil Power Rating Class	150 – 200 mW
Actuating System	DC
Insulation Initial Dielectric Between Open Contacts	1500 Vrms
Contact Limiting Short-Time Current	2 A
Insulation Initial Dielectric Between Contacts and Coil	1500 Vrms
Insulation Creepage Class	1.5 – 3 mm
Insulation Initial Dielectric Between Coil/Contact Class	1000 V – 1500 VA
Voltage Standing Wave Ration (HF Parameter)	1.04 @ 100MHz, 1.4dB @ 900MHz
Insulation Initial Dielectric Between Adjacent Contacts	1000 Vrms
Power Consumption	140 mW
Insulation Initial Resistance	1000 MΩ
Contact Limiting Making Current	2 A
Coil Resistance	720 Ω
Contact Limiting Continuous Current	2 A



Insulation Creepage Between Contact and Coil	2.5 mm[.098 in]
Coil Type	Monostable
Contact Limiting Breaking Current	2 A
Contact Switching Load (Min)	10mA @ .2V
Coil Special Features	Overmolded Coil
Contact Voltage Rating	250 VAC
Signal Relay Coil Power Rating (DC)	200 mW
Signal Relay Coil Voltage Rating	12 VAC
Signal Relay Contact Switching Voltage (Max)	250 VAC
Signal Relay Coil Magnetic System	Monostable, DC, Polarized

Signal Characteristics

Isolation (HF Parameter)	-20.7dB @ 900MHz, -39dB @ 100MHz
Insertion Loss (HF Parameter)	-.02dB @ 100MHz, -.27dB @ 900MHz

Body Features

Weight	2.8 g[.0988 oz]
--------	-----------------

Contact Features

Contact Plating Material	Gold
Contact Current Class	0 – 2 A
Contact Special Features	Bifurcated/Twin Contacts
Signal Relay Contact Current Rating	2 A
Signal Relay Contact Arrangement	2 Form C (CO)
Contact Material	AgNi
Contact Number of Poles	2

Termination Features

Termination Type	Surface Mount
------------------	---------------

Mechanical Attachment

Signal Relay Mounting Type	Printed Circuit Board
----------------------------	-----------------------

Dimensions

Width Class (Mechanical)	6 – 8 mm
Width	7.2 mm[.283 in]
Height	9.9 mm[.39 in]
Length Class (Mechanical)	14 – 16 mm



Insulation Clearance Between Contact and Coil	1.3 mm[.051 in]
Height Class (Mechanical)	9 – 10 mm
Length	14.6 mm[.575 in]
Insulation Clearance Class	0 – 2.5 mm

Usage Conditions

Environmental Ambient Temperature (Max)	85 °C[85 °F]
Environmental Ambient Temperature Class	70 – 85°C
Operating Temperature Range	-40 – 85 °C

Operation/Application

Performance Type	High Dielectric
------------------	-----------------

Packaging Features

Packaging Method	Reel
------------------	------

Product Compliance

[For compliance documentation, visit the product page on TE.com>](#)

EU RoHS Directive 2011/65/EU	Compliant
EU ELV Directive 2000/53/EC	Compliant
China RoHS 2 Directive MIIT Order No 32, 2016	No Restricted Materials Above Threshold
EU REACH Regulation (EC) No. 1907/2006	Current ECHA Candidate List: JAN 2021 (211) Candidate List Declared Against: JAN 2021 (211) Does not contain REACH SVHC
Halogen Content	BFR/CFR/PVC Free, but Br/Cl >900 ppm in other sources.
Solder Process Capability	Reflow solder capable to 245°C

Product Compliance Disclaimer

This information is provided based on reasonable inquiry of our suppliers and represents our current actual knowledge based on the information they provided. This information is subject to change. The part numbers that TE has identified as EU RoHS compliant have a maximum concentration of 0.1% by weight in homogenous materials for lead, hexavalent chromium, mercury, PBB, PBDE, DBP, BBP, DEHP, DIBP, and 0.01% for cadmium, or qualify for an exemption to these limits as defined in the Annexes of Directive 2011/65/EU (RoHS2). Finished electrical and electronic equipment products will be CE marked as required by Directive 2011/65/EU. Components may not be CE marked. Additionally, the part numbers that TE has identified as EU ELV compliant have a maximum concentration of 0.1% by weight in homogenous materials for lead, hexavalent chromium, and mercury, and 0.01% for cadmium, or qualify for an exemption to these limits as defined in the Annexes of Directive 2000/53/EC (ELV). Regarding the REACH Regulation, the information TE provides on SVHC in articles for this part number is based on the latest European Chemicals Agency (ECHA) 'Guidance on requirements for substances in articles' posted at this URL: <https://echa.europa.eu/guidance-documents/guidance-on-reach>

Compatible Parts



TE Part # 1422006-3
V23079G2006X073



TE Part # 1422025-7
V23079A2003X074

Also in the Series | Axicom P2 Signal Relay

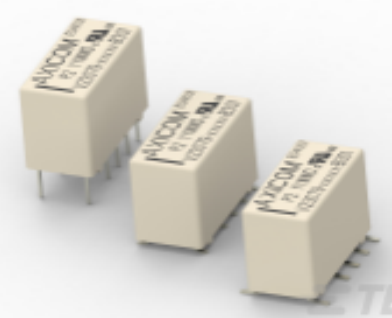


Signal Relays(92)

Customers Also Bought



TE Part #1612618-4
DDR2 SO DIMM Sockets



TE Part #2-1393788-0
AXICOM P2 STANDARD



TE Part #1571983-1
GDH02S04=DIP SWITCH



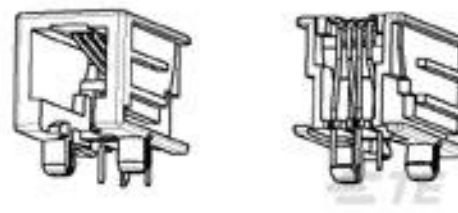
TE Part #1761608-3
IDC LOW PRO HDR 10P VERT SHT L



TE Part #1393219-6
PE014012



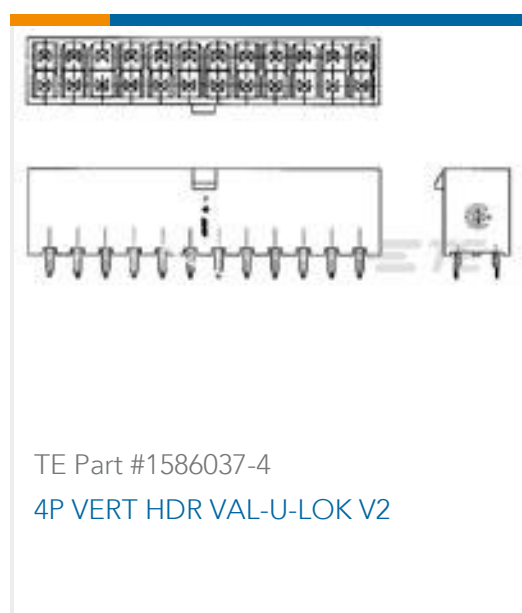
TE Part #928814-1
FASTON 250 TAB FLAG .032 TPBR LP



TE Part #1705951-1
Modular Jack SE, 8/8, Gold flash



TE Part #2-1445088-2
MICRO MNL HDR ASSY S/ROW AU LF



Documents

Product Drawings

[V23079G2003X074](#)

English

CAD Files

[3D PDF](#)

3D

[3D PDF](#)

3D

Customer View Model

[ENG_CVM_CVM_1393789-3_A.2d_dxf.zip](#)

English

Customer View Model

[ENG_CVM_CVM_1393789-3_A.3d_igs.zip](#)

English

Customer View Model

[ENG_CVM_CVM_1393789-3_A.3d_stp.zip](#)

English

Customer View Model

[ENG_CVM_CVM_1422006-4_B.2d_dxf.zip](#)

English

Customer View Model

[ENG_CVM_CVM_1422006-4_B.3d_igs.zip](#)

English

Customer View Model

[ENG_CVM_CVM_1422006-4_B.3d_stp.zip](#)

English

By downloading the CAD file I accept and agree to the [Terms and Conditions](#) of use.

Datasheets & Catalog Pages

[Transportation, Storage, Handling, Assembly and Testing of AXICOM SMT Relays](#)

English

[Axicom Signal and High Frequency Relays \(RF Switches\) APPLICATION NOTE #2](#)

English

[Industrial Relays Quick Reference Guide](#)



English

[Industrial Relays Quick Reference Guide](#)

Japanese

[Industrial Relays Quick Reference Guide](#)

Product Specifications

[Definitions, Handling, Processing, Testing and Use of Relays](#)

English