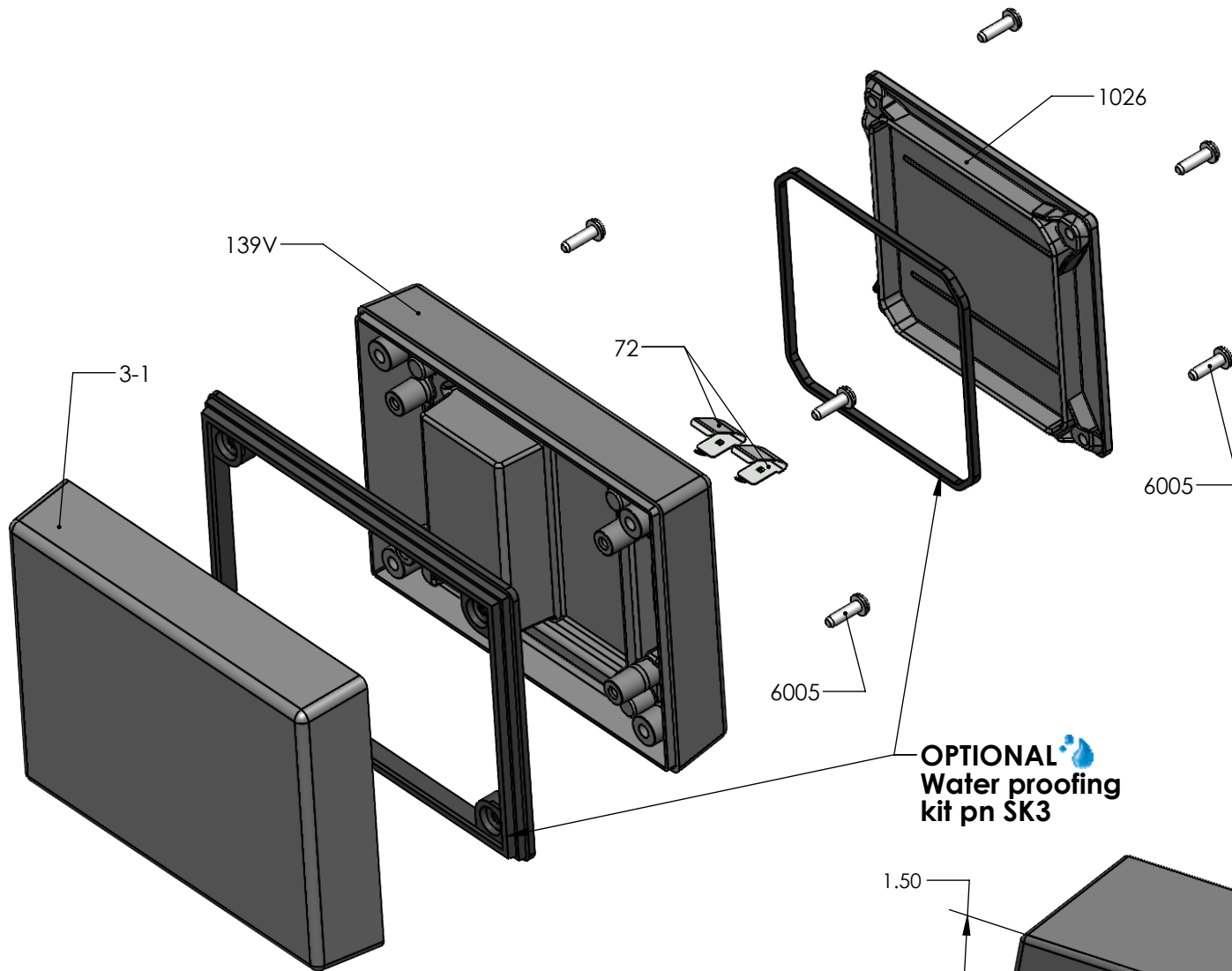
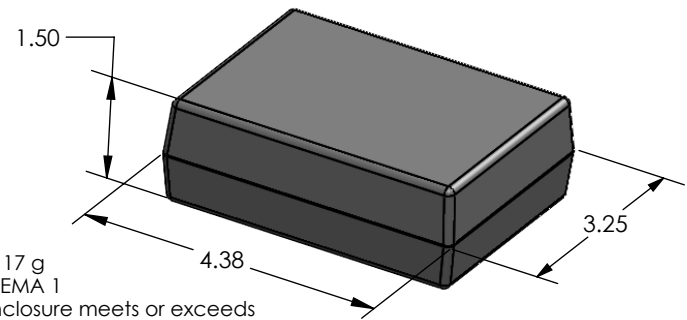


SERPAC 1319V (exploded isometric)

Electronic Enclosures



OPTIONAL
Water proofing
kit on SK3

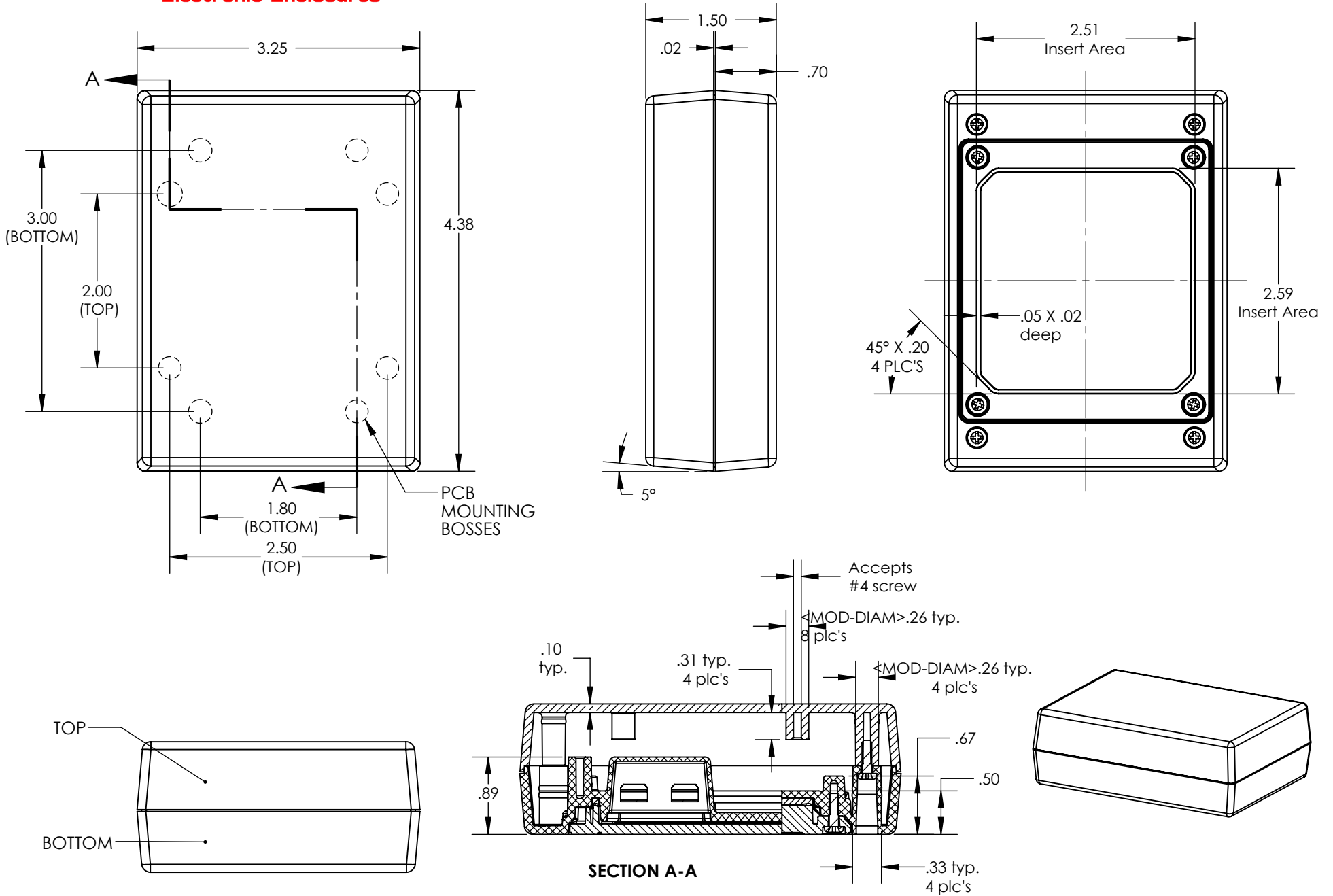


PART NO.	DESCRIPTION (Included)	ACCESSORIES (Optional)	
3-1	Top	PART NO.	DESCRIPTION
139V	9V Bottom	50	Non-skid Feet
1026	Access Door	SK3	Seal Kit for 13X
6005	#4X3/8" Self-Tapping Screw (8)		
72	Single Battery Contact (2)		

Notes: Enclosure weight .26 lb / 117 g
 1) Enclosure meets or exceeds IP40 and NEMA 1
 2) When used with PS13 and ACO1 the enclosure meets or exceeds IP 67 and NEMA 4X, 12 and 13 MIL-STD-810G 506.5
 3) Circuit Board drawings can be download at:
<https://serpac.com/accessories/circuit-boards.aspx>
 4) All components are RoHS Compliant.

SERPAC 1319V

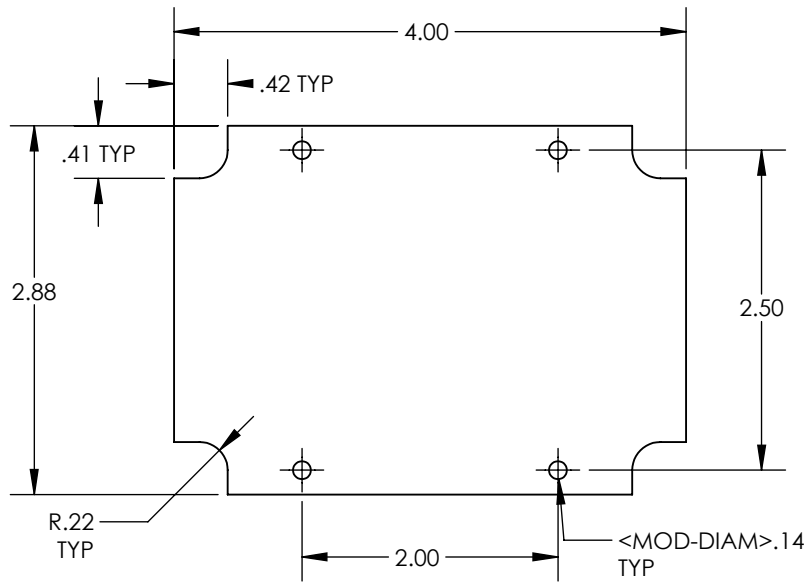
Electronic Enclosures



SERPAC PCB for 13x compartment enclosures

Electronic Enclosures

CIRCUIT BOARD FOR TOP



CIRCUIT BOARD FOR BOTTOM

