

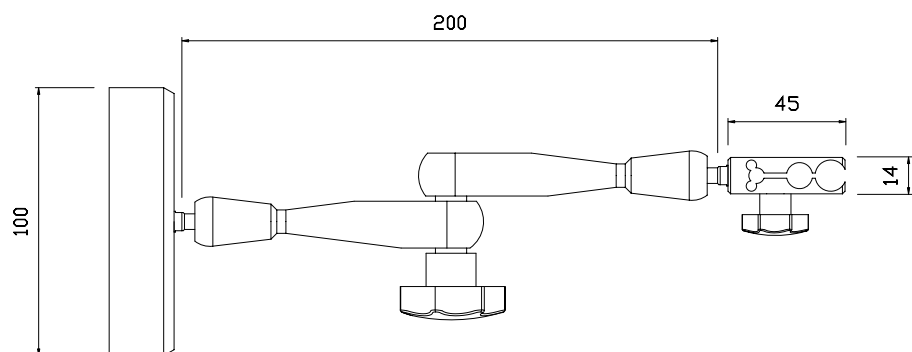
Accurate and safe positioning, enables handsfree testing and measuring with its stepless 3D clamping system. Universal probe holder fitting for all sizes, permanent fixation through ball and socket joint.

Material: anodized light alloy, steel

Scope of delivery: 3D positioner, steel base, 3-fold holder

Order-No. 893-350-001

Please note that positioner is not supplied with probe.



PMK GmbH
 Mess- und
 Kommunikationstechnik
 Industriestr. 17
 63150 Heusenstamm
 Germany

Phone: +49 (0) 6104 6453
 Fax: +49 (0) 6104 6457
 Internet: www.pmk.de
 E-Mail: sales@pmk.de
service@pmk.de