

# swissbit®

Product Data Sheet

## Industrial USB Flash Drive Module

### U-48 Series

USB 2.0 High-Speed, pSLC

Commercial and Industrial  
Temperature Grade

Date: January 29, 2021  
Revision: 1.01



# Contents

<b>1. PRODUCT SUMMARY .....</b>	<b>3</b>
<b>2. PRODUCT FEATURES .....</b>	<b>4</b>
<b>3. ORDERING INFORMATION .....</b>	<b>5</b>
<b>4. PRODUCT DESCRIPTION .....</b>	<b>6</b>
4.1 PERFORMANCE SPECIFICATIONS .....	7
4.2 CURRENT CONSUMPTION .....	7
4.3 ENVIRONMENTAL SPECIFICATIONS .....	7
4.4 REGULATORY COMPLIANCE .....	8
4.5 MECHANICAL SPECIFICATIONS .....	8
4.6 RELIABILITY AND ENDURANCE .....	9
4.7 DRIVE GEOMETRY SPECIFICATION .....	9
<b>5. ELECTRICAL INTERFACE .....</b>	<b>10</b>
<b>6. ELECTRICAL SPECIFICATION .....</b>	<b>11</b>
<b>7. PACKAGE MECHANICAL .....</b>	<b>12</b>
<b>8. ATA PASS-THROUGH COMMANDS (IDENTIFY DEVICE AND S.M.A.R.T.) .....</b>	<b>13</b>
8.1 ATA PASS-THROUGH COMMANDS .....	13
8.2 IDENTIFY DEVICE .....	13
8.3 S.M.A.R.T. COMMANDS .....	14
<b>9. PART NUMBER DECODER .....</b>	<b>17</b>
<b>10. MARKING SPECIFICATION .....</b>	<b>19</b>
10.1 TOP VIEW .....	19
10.2 LABEL CONTENT .....	19
<b>11. REVISION HISTORY .....</b>	<b>20</b>

# U-48 Series – Industrial USB Flash Drive Module (eUSB)

## 8 GBytes up to 16 GBytes

### 1. Product Summary

- **Capacities:** 8 GBytes, 16 GBytes
- **Form Factor:**
  - USB 2.0 solid state flash drive for internal 10-pin USB connector terminal (26.65mm x 36.8mm)
  - 2.54mm or 2.00mm connector with keyed pin
- **Compliance:** USB 2.0 High-Speed specification compatible (backward compliance with USB 1.1)
- **Performance:**
  - Read Performance: Sequential Read up to 42 MBytes/s, Random Read IOPS up to 2,600
  - Write Performance: Sequential Write up to 38 MBytes/s, Random Write IOPS up to 2,000
- **Operating Temperature Range:**
  - Commercial: 0 °C to 70 °C
  - Industrial: -40 °C to 85 °C
- **Storage Temperature Range:** -40 °C to 85 °C
- **Operating Voltage:** 3.3V ±5% or 5V ± 10%
- **Data Retention:** 10 Years @ Life Begin; 1 Year @ Life End
- **Endurance in TeraBytes Written (TBW):**
  - Enterprise Workload: up to 102
- **Shock/Vibration:** 1,500 *g* / 50 *g*
- **High-Performance 32-Bit Processor with Integrated, Parallel Flash Interface Engine:**
  - Triple-Level Cell (TLC) 3D NAND Flash in pSLC mode
  - Hardware BCH Code ECC (60bit correction per 1024 Bytes)
- **High Reliability:**
  - Mean Time Between Failure (MTBF): > 3,000,000 hours @ 25°C
  - Data Reliability: < 1 non-recoverable error per 10<sup>16</sup> bits read

## 2. Product Features

- Subpage based Flash management for increased endurance & random performance
- Optimized FW algorithms especially for high read access and long data retention applications
  - Proven power fail management for highest reliability
  - Near Miss ECC technology  
Minimize the risk of uncorrectable bit failure over the product life time. Each read command analyzes the ECC margin level and refreshes data if necessary.
  - Read Disturb Management  
The read commands are monitored and the content is refreshed when critical levels have occurred.
  - Wear Leveling technology  
Equal wear leveling of static and dynamic data. The wear leveling assures that dynamic data as well as static data is balanced evenly across the memory. This guarantees the maximum write endurance of the device.
  - Data Care Management  
The interruptible background process controls the user data for read disturb effects or high temperature related retention degradation and refreshes data if necessary.
- Detailed S.M.A.R.T. support and extended vendor information
- LED for operation indication
- In-field firmware update
- Swissbit Life Time Monitoring (SBLTM) tool and SDK for SBLTM (on request)
- Controlled BOM & PCN process
- Customized options like registers, removable device, connector options, write protect switch, grounded mounting hole, densities, uploads, label, etc.



### 3. Ordering Information

**Table 1: Standard Product List**

Capacity	Temperature	
	Commercial	Industrial
	Part Number	Part Number
8 GBytes	SFU1008GcxAB1T0-C-5S-2yP-STD	SFU1008GcxAB1T0-I-5S-2yP-STD
16 GBytes	SFU1016GcxAB2T0-C-5S-2yP-STD	SFU1016GcxAB2T0-I-5S-2yP-STD

c = connector, x = product generation, y = firmware revision

**Table 2: Available Part Numbers**

Capacity	Temperature	
	Commercial	Industrial
	Part Number	Part Number
8 GBytes	SFU1008GJ2AB1T0-C-5S-2AP-STD	SFU1008GJ2AB1T0-I-5S-2AP-STD
8 GBytes	SFU1008GK2AB1T0-C-5S-2AP-STD	SFU1008GK2AB1T0-I-5S-2AP-STD
16 GBytes	SFU1016GJ2AB2T0-C-5S-2AP-STD	SFU1016GJ2AB2T0-I-5S-2AP-STD
16 GBytes	SFU1016GK2AB2T0-C-5S-2AP-STD	SFU1016GK2AB2T0-I-5S-2AP-STD

## 4. Product Description

The Swissbit U-48 USB 2.0 embedded USB flash drive provides a robust, high performance, and reliable storage product with industry compatible interface and small form factor. The U-48 pSLC technology both enables high 3D TLC NAND flash operation and excellent endurance. The use of page based Flash management and a global wear leveling extends the endurance to unprecedented values for USB products.

The 10-pin connector makes easy integration into existing or newly designed system boards possible. The U-48 is compatible with standard on-board USB connectors. The embedded USB module serves applications which utilize USB products as acceleration cache for HDDs or as a boot media, for example networking and telecommunication systems.

For outdoor use or in poorly ventilated systems the U-48 is available in industrial temperature grade from -40°C to +85°C. Each individual industrial temperature grade drive is tested at these corners to verify the temperature resistance.

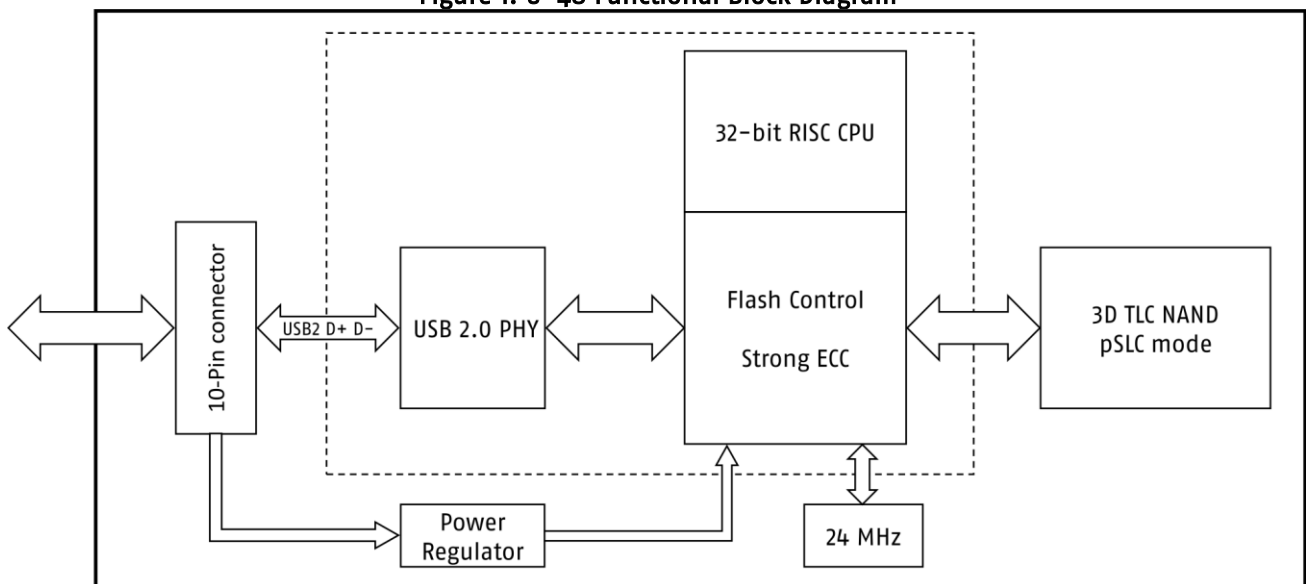
The U-48 firmware includes data care management features which refresh storage areas that are not or only infrequently read. At high temperature operation these areas are prone to retention loss. The firmware monitors the state of the NAND blocks and refreshes those that show a high level of degradation, thus preventing uncorrectable errors. This is an important feature for USB flash drives that are used as read only boot media.

The U-48 consists of a high performance 32bit RISC USB controller, the 10pin connector, power circuitry and different numbers of NAND dies.

The U-48 can flexibly operate at 3.3V ±5% or 5V ± 10%.

It supports USB 2.0 High-Speed and is fully backwards compatible to USB 1.1 Full Speed.

Figure 1: U-48 Functional Block Diagram



## 4.1 Performance Specifications

The U-48 read/write sequential and random CDM performance benchmarks are detailed in the following Table 3.

**Table 3: Read/Write Performance in High-Speed mode<sup>1</sup>**

Capacity	Sequential Read (MBPS)	Sequential Write (MBPS)	Random Read 4K (IOPS)	Random Write 4K (IOPS)
8 GBytes	42	38	2,600	2,000
16 GBytes	42	38	2,600	2,000

## 4.2 Current Consumption

The drive-level current consumption as a function of operating mode is shown in the following Table 4.

**Table 4: Current Consumption<sup>2</sup>**

Capacity	Sequential Read	Sequential Write	Random Read 4K	Random Write 4K	Idle	Unit
8 GBytes	66	62	52	52	34	mA
16 GBytes	69	65	55	55	34	

## 4.3 Environmental Specifications

### 4.3.1 Recommended Operating Conditions

The recommended operating conditions for the U-48 USB flash drives are provided in the following Table 5.

**Table 5: Recommended Operating Conditions**

Parameter	Value
Commercial Operating Temperature	0 °C to 70 °C
Industrial Operating Temperature	-40 °C to 85 °C
Power Supply V <sub>CC</sub> Voltage	3.3 V ± 5% or 5.0 V ± 10%

### 4.3.2 Recommended Storage Conditions

The recommended storage conditions are listed in the following Table 6.

**Table 6: Recommended Storage Conditions**

Parameter	Value
Commercial Storage Temperature	-40 °C to 85 °C <sup>3</sup>
Industrial Storage Temperature	-40 °C to 85 °C <sup>3</sup>

<sup>1</sup> The values are measured using CrystalDiskMark 6.0.2 x64 (CDM) with Seq Q32T1 and 4KiB Q8T8. Performance depends on flash type and number, file/cluster size, and burst speed.

<sup>2</sup> All values are the typical recorded at 25 °C, with 5V supply voltage at fastest CrystalDiskMark 6.0.2 x64 (CDM) in High-Speed mode.

<sup>3</sup> The retention at high temperature is reduced. The acceleration factor at 85°C compared with 40°C is 170.

### 4.3.3 Shock, Vibration and Humidity

The maximum shock, vibration and humidity test conditions are listed in the following Table 7.

**Table 7: Shock, Vibration and Humidity**

Parameter	Value
Shock	1,500 g, 0.5 ms pulse duration, half-sine wave (IEC 60068-2-27, JESD22-B110)
Vibration	50 g, 20Hz – 2000Hz, 3 axes (IEC 60068-2-6, MIL-STD-883 H M2007.3)
Humidity (Non-Condensing)	85% RH 85 °C, 1000 hrs, max. supply voltage (JESD22-A101)

### 4.4 Regulatory Compliance

The U-48 devices comply with the regulations / standards listed in the following Table 8.

**Table 8: Regulatory Compliance**

Abbreviation	Regulation/ Standard
EMC	(EU) 2014/30 (FCC) 47 CFR Part 15
RoHS	(EU) 2011/65/EU with 2015/863 and 2017/2102
REACH	(EU) 1907/2006 and 207/2011
WEEE	(EU) 2012/19

### 4.5 Mechanical Specifications

Physical dimensions are detailed in the following Table 9. Figure 3 on page 12 illustrates the U-48 dimensions.

**Table 9: Measured Physical Dimensions**

Physical Dimensions		Unit
Length	36.8±0.15	mm
Width	26.65±0.15	
Thickness (Max)	9.7±0.25 (standard connector) 5.8±0.25 (low profile connector)	
Weight (Max Capacity)	5	g



## 4.6 Reliability and Endurance

The Mean Time Between Failure (MTBF) is specified to exceed the value listed in the following Table 10. Data reliability with effective error tolerance and data retention at the beginning and end of life is also provided.

**Table 10: Reliability**

Parameter	Value
MTBF (at 25 °C)	> 3,000,000 hours
Data Reliability	< 1 Non-Recoverable Error per 10 <sup>16</sup> Bits Read
Data Retention (up to 40°C)	10 Years at Start (JESD47), 1 Year at EOL

Endurance represented as both TeraBytes Written (TBW) and full Drive Writes Per Day (DWPD) is provided in the following Table 11.

**Table 11: Endurance<sup>4, 5</sup>**

Capacity	Enterprise	
	TBW	DWPD <sup>6</sup>
8 GBytes	54	6.2
16 GBytes	102	5.7

## 4.7 Drive Geometry Specification

**Table 12: Drive Geometry**

Raw Capacity	User Capacity	Total LBA	User Addressable Bytes
		Decimal	(Unformatted)
32 GBytes	8 GBytes	15,663,104	8,019,509,248
64 GBytes	16 GBytes	31,719,424	16,240,345,088

<sup>4</sup> Enterprise workload follows the JEDEC JESD219 standard. Enterprise workload values are measured based on 168 hours of runtime.  
1 TByte = 10<sup>12</sup> bytes

<sup>5</sup> The specified TBW is valid if the amount is spread evenly over at least 18 months. Higher average daily data volume reduces the specified TBW. Swissbit recommends to calculate the service life based on target system mission profile.

<sup>6</sup> DWPD values are based on a service life of 3 years

## 5. Electrical Interface

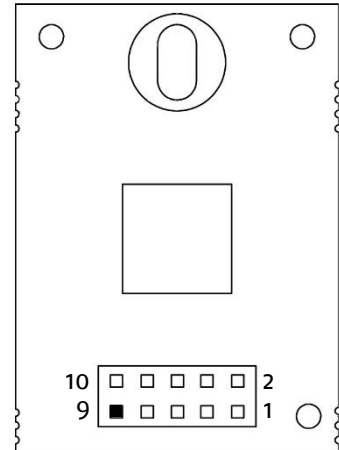
- USB connector 10pin (2mm or 2.54mm pitch)
- USB 2.0 High-Speed interface, USB 1.1 Full Speed compatible
- STD variation

**Table 13: Electrical pinout**

Pin	Signal	Standard type	Optional on request
1	V_Bus	Operating voltage	
2	NC	Not Connected	V_Bus
3	D-	Data signal pair	
4	NC	Not Connected	
5	D+	Data signal pair	
6	NC	Not Connected	
7	GND	Ground	
8	NC	Not Connected	GND
9	NC	Keyed at connector	not keyed NC or V_Bus
10	Shield	Ground (shield)	NC, LED out

See also chapter 7 Package Mechanical

**Figure 2: Module view (connector side)**



## 6. Electrical Specification

**Table 14: Absolute Maximum Ratings**

Parameter	Symbol	Min	Max	Unit
Power Supply Voltage	V_Bus	-0.5	6.0	V
Voltage at D+ and D-	V_Data	-0.5	5.0	
Commercial Operating Temperature	T_A	0	70	°C
Industrial Operating Temperature		-40	85	

**Table 15: DC characteristics for High-Speed operation (T=25°C, V\_Bus=5V)**

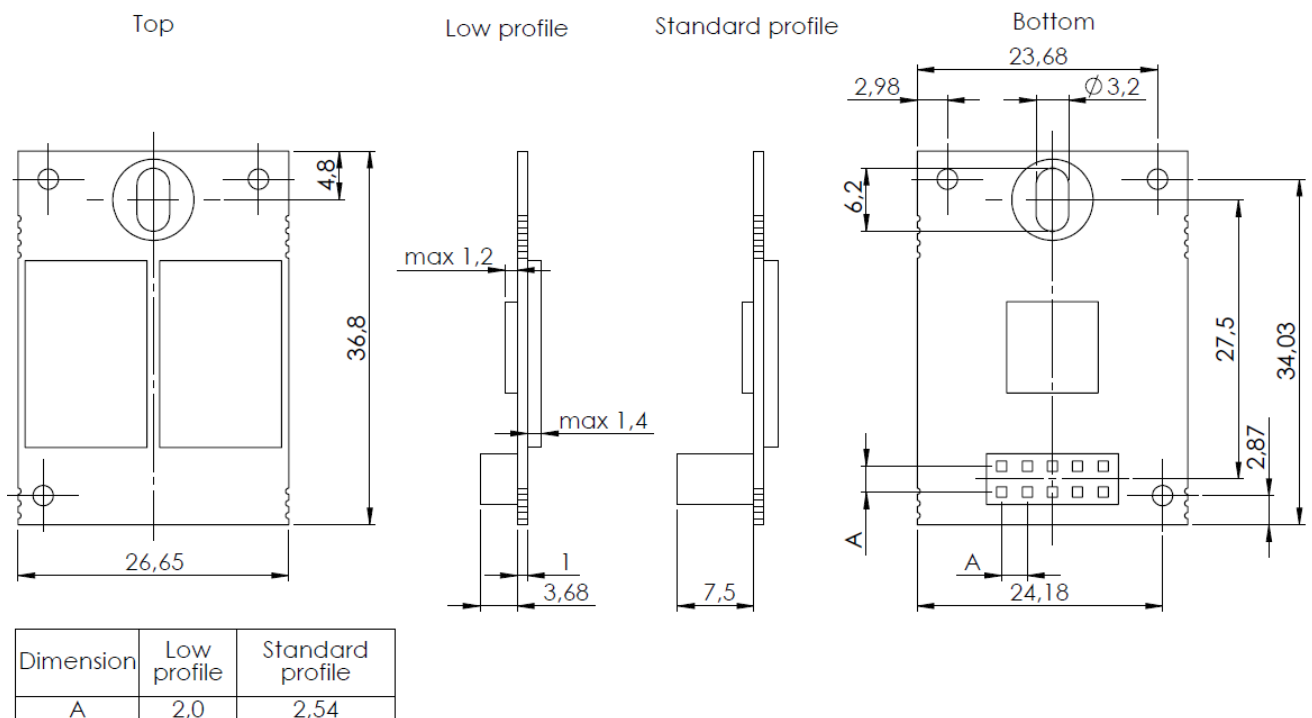
Parameter	Symbol	Density	Min	Typ	Max	Unit
Supply Voltage	V_Bus	all	3.1	3.3 or 5.0	5.50	V
Write current	I_WR	8 GBytes		63	75	mA
		16 GBytes		65	75	
Read current	I_RD	8 GBytes		65	75	
		16 GBytes		69	75	
Idle current	I_IDL	all		34 <sup>7</sup>	40	
Suspend current	I_CCS	all		2.1	2.5	
High Speed Idle Level	V_HSOI	all	-10		10	mV
High Speed Data Signaling LOW	V_HSOL	all	-10		10	
High Speed Data Signaling HIGH	V_HSOH	all	360		440	
Chirp J Level (differential)	V_CHIRPJ	all	360		440	
Chirp K Level (differential)	V_CHIRPK	all	-440		-360	

<sup>7</sup> For every 10<sup>th</sup> power-on cycle, typically 5 minutes after power-on, the device performs background data care management that requires up to 70mA.

## 7. Package Mechanical

- Standard form factor of PCBs 36.8mm x 26.65mm
- Oval hole for mechanical fixture (optional grounded)
- 3 additional holes
- LED for operation indication (optional without LED)
- 2 connector types
  - 2.54mm pitch, 7.5mm long standard
  - 2.00mm pitch, 3.68mm long low profile
- Component heights max. 1.2mm on connector side  
max. 1.4mm on flash side

Figure 3: Mechanical Dimensions for U-48 drive



All dimensions are in millimeters, tolerance:  $\pm 0.15$

## 8. ATA Pass-Through commands (Identify Device and S.M.A.R.T.)

### 8.1 ATA Pass-Through commands

Additional to the standard SCSI commands the device also supports the ATA Pass-Through commands.

**Table 16: ATA PASS-TRHOUGH(x) commands**

SCSI command	OpCode	Description
ATA PASS-THROUGH(12)	A1h	Write and read ATA registers to send commands and read information
ATA PASS-THROUGH(16)	85h	

<http://www.t10.org/ftp/t10/document.04/04-262r8.pdf>

**Table 17: ATA register addressing**

Offset address	Input	Output	Type	Identify device	e.g. SMART commands
0	Data		Word		
1	Feature	Error	Byte	xx	yyh*
2	Sector count		Byte	xx	01h
3	LBA_Low		Byte	xx	xx
4	LBA_Mid		Byte	xx	4Fh
5	LBA_High		Byte	xx	C2h
6	Drive/head		Byte	Eoh	Eoh
7	Command	Status	Byte	ECh	Boh

\* see below

### 8.2 Identify Device

The Identify Device returns a identify sector compatible to ATA and SATA devices. Here an example of the interpretation of this sector.

**Table 18: Identify Device Information**

Word(s)	Default Value		Total Bytes	Data Field Type Information
0	0040h		2	Standard Configuration Fixed (optional 848Ah for removable)
...	...	...	...	...
10-19	aaaa*		20	Serial number in ASCII (right-justified)
...	...	...	...	...
23-26	XXXX*		8	Firmware revision in ASCII (big-endian byte order in Word)
27-46	XXXX*		40	Model number in ASCII (right-justified)
...	...	...	...	...
60-61	XXXXh		4	Total number of sectors addressable in LBA mode
...	...	...	...	...
82	0101h 7701h* 4063h*		2	Command set: SMART feature set, service interrupt
...	...	...	...	...
85	000Xh 0701h* 4063h*		2	Command set enabled: SMART feature set enabled/disabled
...	...	...	...	...
255	XXA5h		2	Integrity Word

\* Values depend on device configuration.

### 8.3 S.M.A.R.T. commands

The intent of the SMART command feature set is to protect user data and minimize the likelihood of unscheduled system downtime that may be caused by predictable degradation and/or fault of the device. By monitoring and storing critical performance and calibration parameters, SMART feature set devices attempt to predict the likelihood of a near-term degradation or fault condition. Providing the host system the knowledge of a negative reliability condition allows the host system to warn the user of the impending risk of a data loss and advise the user of the appropriate action.

All S.M.A.R.T. commands have the command code Boh. The different commands are selected by the Feature register.

**Table 19: S.M.A.R.T. Features Supported**

Operation	Feature	Sect Count	LBA low	LBA mid	LBA high	DRV head	Command
S.M.A.R.T. Read Data	D0h	01h	xx	4Fh	C2h	E0h	Boh
S.M.A.R.T. Read Attribute Thresholds	D1h	01h	xx	4Fh	C2h	E0h	Boh
S.M.A.R.T. Enable Operations	D8h	xx	xx	4Fh	C2h	E0h	Boh
S.M.A.R.T. Disable Operations	D9h	xx	xx	4Fh	C2h	E0h	Boh
S.M.A.R.T. Return Status	DAh	xx	xx	4Fh	C2h	E0h	Boh

All commands are aborted, if the LBA signature is invalid.

#### 8.3.1 S.M.A.R.T. Read Data (Doh)

When the drive receives the S.M.A.R.T. Read Data subcommand, it returns one sector (512 bytes) of data. See the following table for the data structure of this sector.

**Table 20: S.M.A.R.T. Data Structure**

Byte(s)	Value	Description
0-1	0010h	S.M.A.R.T. structure version
2-361	XXh	Attribute entries 1 to 30 (see Table 21)
362	00h	Off-line data collection status (no off-line data collection started)
363	00h	Self-test execution status byte (self-test completed)
364-365	0000h	Total time, in seconds, to complete off-line data collection
366	00h	Vendor specific
367	00h	Off-line data collection capability (no off-line data collection)
368-369	0003h	S.M.A.R.T. capabilities
370	00h	No Error logging capability
371	00h	Vendor specific
372	00h	Short self-test routine recommended polling time, in minutes
373	00h	Extended self-test routine recommended polling time, in minutes
374-385	00h	Reserved
386-387	0004h	SMART Version
388-510	XXh	Vendor specific
511	XXh	Data structure checksum

### 8.3.2 S.M.A.R.T. Attribute Entry Structure

Each attribute entry (Bytes 2–361) consists of 12 bytes. See the following table for the data structure of each entry.

**Table 21: Attribute Entry**

Offset Byte(s)	Value	Description
0	XXh	Attribute ID (see Table 22)
1–2	XXXXh	Flags (little-endian) Bit0: Advisory (0) or Prefailure (1) Bit1: Not used (0) or updated during normal operation (1)
3	XXh	Current value as a percentage 64h = 100%
4	XXh	Worst value as a percentage 64h = 100%
5–10	XXXXh	Raw value (little-endian)
11	00h	Reserved

### 8.3.3 S.M.A.R.T. Attributes

The drives support the S.M.A.R.T. attributes listed in the following table.

The Threshold values can be read out with the S.M.A.R.T. Read Attribute Thresholds command (D1h)

The first attributes (196, 213, 229) are “Pre-Fail” type, while all other are Advisory (Old Age).

**Table 22: S.M.A.R.T. Attributes**

ID dec	ID hex	Value	Worst	Thres-hold	Attribute	Description	RAW values Offset 5–10
196	C4h	X%	X%	25	Spare Block Count	Number of total available NAND spare blocks	Initial (offset 5–7) and current (offset 8–10) number of spare blocks
213	D5h	X%	X%	25	Spare Block Count worst channel	Spare block count for the NAND with the lowest number of remaining spare blocks	Initial (offset 5–7) and current (offset 8–10) number of spare blocks of the channel with the lowest current number of spare blocks
229	E5h	X%	X%	2	Total Erase Count	Estimated number of total NAND block erases	Estimated number of total NAND block erases
203	CBh	100	100	0	Total ECC Errors	All recorded ECC errors	Total number of ECC errors (correctable and uncorrectable) (offset 5–8)
204	CCh	100	100	0	Correctable ECC Errors	Total recorded ECC errors that were corrected during the life of the drive	Total number of correctable ECC errors (offset 5–8)
199	C7h	100	100	0	UDMA CRC Errors	Dummy attribute, included for legacy reasons	This value is fixed at 0.
232	E8h	100	100	0	Total Number of Reads	Total number of NAND READ commands	Total number of NAND READ commands
12	0Ch	100	100	0	Power-On Count	Count of power-on events	Number of power cycles (offset 5–8)
241	F1h	100	100	0	Total LBAs Written	Total amount of data written to the drive	Total number of LBAs written to the disk, divided by 65536
242	F2h	100	100	0	Total LBAs Read	Total amount of data read from the drive	Total number of LBAs read from the disk, divided by 65536
214	D6h	100	100	0	Management Block status	Total number of times the management block has been updated	Management block write count (offset 5–8)
215	D7h	X%	X%	0	Trim Status	Amount of device content that is currently in the trimmed state	This value is fixed at 0.

### 8.3.4 S.M.A.R.T. Read Attribute Thresholds (D1h)

When the drive receives the S.M.A.R.T. Read Attribute Thresholds subcommand, it returns one sector (512 bytes) of data similar as S.M.A.R.T. Read data sector, but with the threshold value in offset 1 of each attribute (see Table 22).

### 8.3.5 S.M.A.R.T. Enable Operations (D8h)

This command enables access to the S.M.A.R.T. capabilities of the drive. The state of SMART (enabled or disabled) is preserved across power cycles.

### 8.3.6 S.M.A.R.T. Disable Operations (D9h)

This command disables access to the S.M.A.R.T. capabilities of the drive. The state of SMART (enabled or disabled) is preserved across power cycles.

### 8.3.7 S.M.A.R.T. Return Status (DAh)

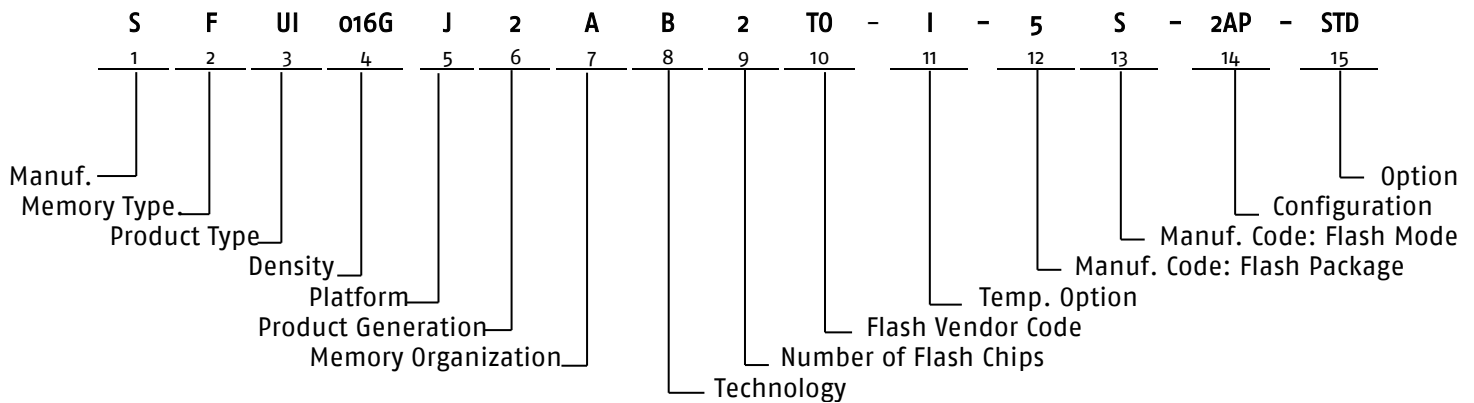
**Table 23: S.M.A.R.T. Return Status**

Operation	Feature	Sect Count	LBA low	LBA mid	LBA high	DRV head	Com- mand
Command S.M.A.R.T. Return Status	DAh	xx	xx	4Fh	C2h	E0h	B0h
<b>Response</b>							
S.M.A.R.T. Return Status OK	xx	xx	xx	4Fh	C2h	xx	xx
S.M.A.R.T. Return Status Pre-FAIL*	xx	xx	xx	F4h	2Ch	xx	xx

\* If a threshold exceeded condition exists for either the Spare Block Count Worst Channel attribute or the Erase Count attribute, the device will set the Cylinder Low register to F4h and the Cylinder High register to 2Ch. In this case the drive should be replaced soon.



## 9. Part Number Decoder



### 9.1 Manufacturer

Swissbit code	S
---------------	---

### 9.2 Memory Type

Flash	F
-------	---

### 9.3 Product Type

U-xxx USB Flash Drive Module (Internal)	UI
---	----

### 9.4 Density

8 GBytes	008G
16 GBytes	016G

### 9.5 Platform

U-xxx – 2.54mm plug	J
U-xxx – 2.00mm plug	K

### 9.6 Product Generation

First generation	1
Second generation	2

### 9.7 Memory Organization

x8	A
----	---

### 9.8 Technology

U-4xx platform UFD	B
--------------------	---

### 9.9 Number of Flash Chips

1 Flash	1
2 Flash	2

### 9.10 Flash Code

Toshiba / Kioxia	T0
------------------	----

### 9.11 Temperature Option

Commercial Temperature Range: 0 °C to 70 °C	C
Industrial Temperature Range: -40 °C to 85 °C	I

### 9.12 Die Classification

3D TLC MONO (single die package)	5
----------------------------------	---

### 9.13 Pin Mode

	<b>TSOP</b>
Single nCE and Single R/nB	S

### 9.14 Configuration XYZ

#### X = Configuration

<b>Configuration</b>	<b>X</b>
Removable Drive	1
Fixed Drive	2

#### Y = Firmware Revision

<b>FW Revision</b>	<b>Y</b>
Revision 1	A

#### Z = Features

<b>Features</b>	<b>Z</b>
Default (SLC or MLC)	1
pSLC (pseudo SLC)	P

### 9.15 Option

Swissbit / Standard	STD
Customized version	XXX

## 10. Marking Specification

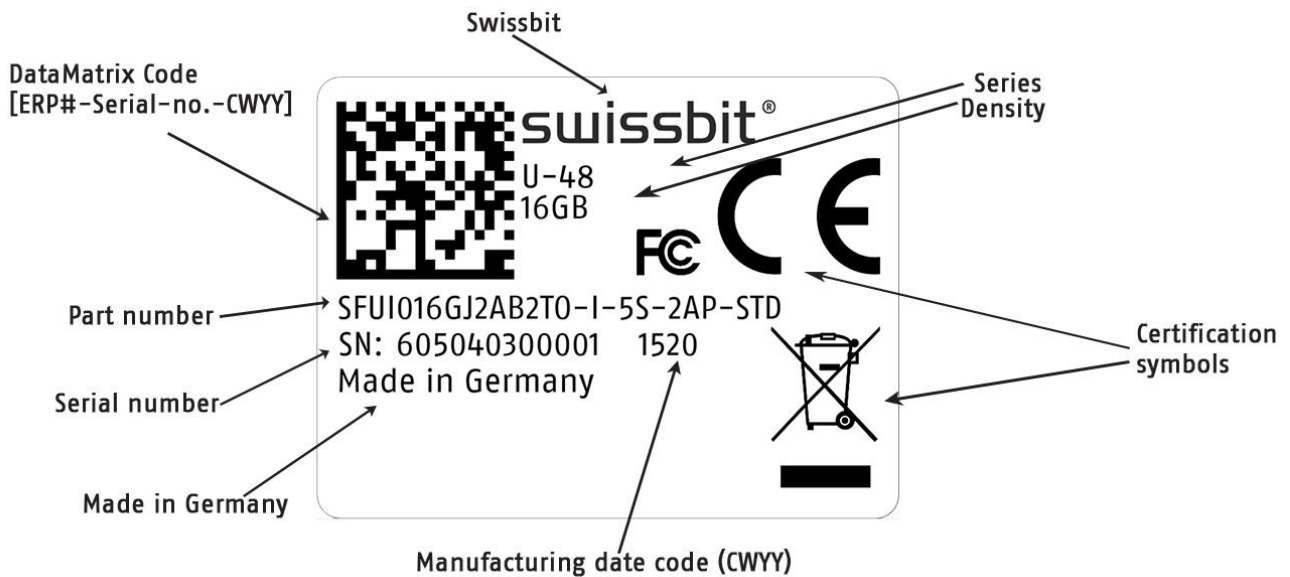
### 10.1 Top View

Figure 4: U-48 top view (example)



### 10.2 Label content

Figure 5: U-48 label details



## 11.Revision History

**Table 24: Document Revision History**

Date	Revision	Description	Revision Details
15-May-2020	0.90	Preliminary release	Doc. req. no. 3693
31-Aug-2020	1.00	Final release	Doc. req. no. 4007
29-Jan-2021	1.01	Added available part numbers (C-grade)	Doc. req. no. 4350

### Disclaimer:

No part of this document may be copied or reproduced in any form or by any means, or transferred to any third party, without the prior written consent of an authorized representative of Swissbit AG ("SWISSBIT"). The information in this document is subject to change without notice. SWISSBIT assumes no responsibility for any errors or omissions that may appear in this document and disclaims responsibility for any consequences resulting from the use of the information set forth herein. SWISSBIT makes no commitments to update or to keep current information contained in this document. The products listed in this document are not suitable for use in applications such as, but not limited to, aircraft control systems, aerospace equipment, submarine cables, nuclear reactor control systems and life support systems. Moreover, SWISSBIT does not recommend or approve the use of any of its products in life support devices or systems or in any application where failure could result in injury or death. If a customer wishes to use SWISSBIT products in applications not intended by SWISSBIT, said customer must contact an authorized SWISSBIT representative to determine SWISSBIT willingness to support a given application. The information set forth in this document does not convey any license under the copyrights, patent rights, trademarks or other intellectual property rights claimed and owned by SWISSBIT. The information set forth in this document is considered to be "Proprietary" and "Confidential" property owned by SWISSBIT.

ALL PRODUCTS SOLD BY SWISSBIT ARE COVERED BY THE PROVISIONS APPEARING IN SWISSBIT'S TERMS AND CONDITIONS OF SALE ONLY, INCLUDING THE LIMITATIONS OF LIABILITY, WARRANTY AND INFRINGEMENT PROVISIONS. SWISSBIT MAKES NO WARRANTIES OF ANY KIND, EXPRESS, STATUTORY, IMPLIED OR OTHERWISE, REGARDING INFORMATION SET FORTH HEREIN OR REGARDING THE FREEDOM OF THE DESCRIBED PRODUCTS FROM INTELLECTUAL PROPERTY INFRINGEMENT AND EXPRESSLY DISCLAIMS ANY SUCH WARRANTIES INCLUDING WITHOUT LIMITATION ANY EXPRESS, STATUTORY OR IMPLIED WARRANTIES OF MERCHANTABILITY OR FITNESS FOR A PARTICULAR PURPOSE.

© 2021 SWISSBIT AG All rights reserved.