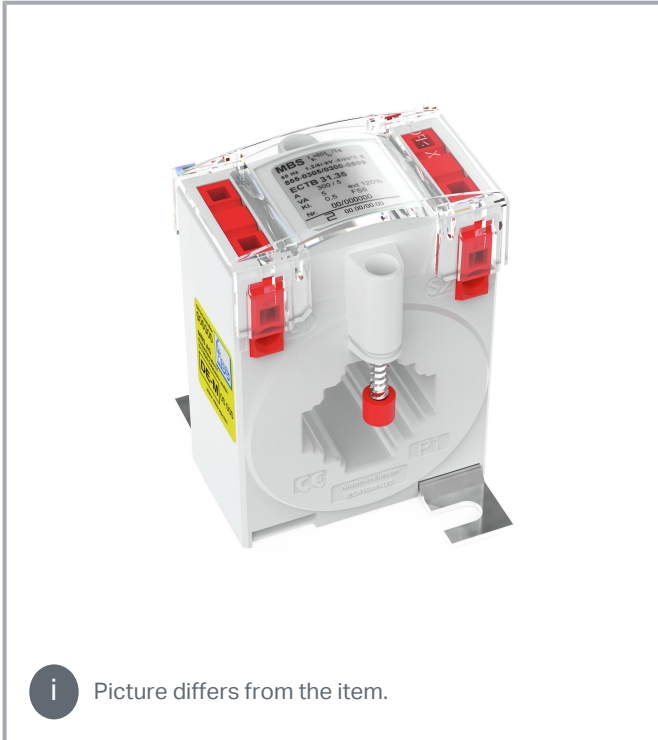


## Data sheet | Item number: 855-305/750-509

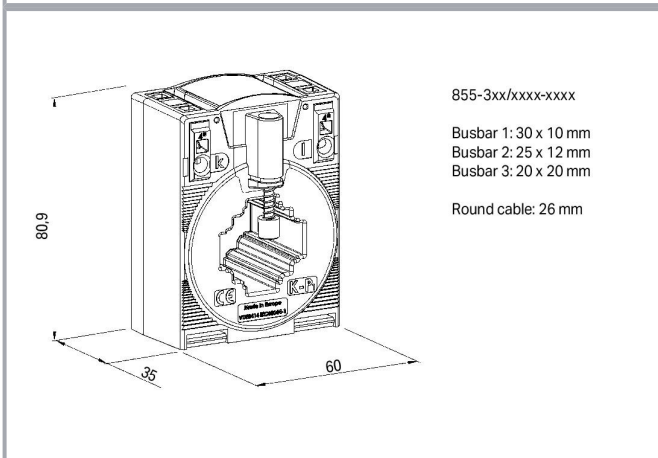
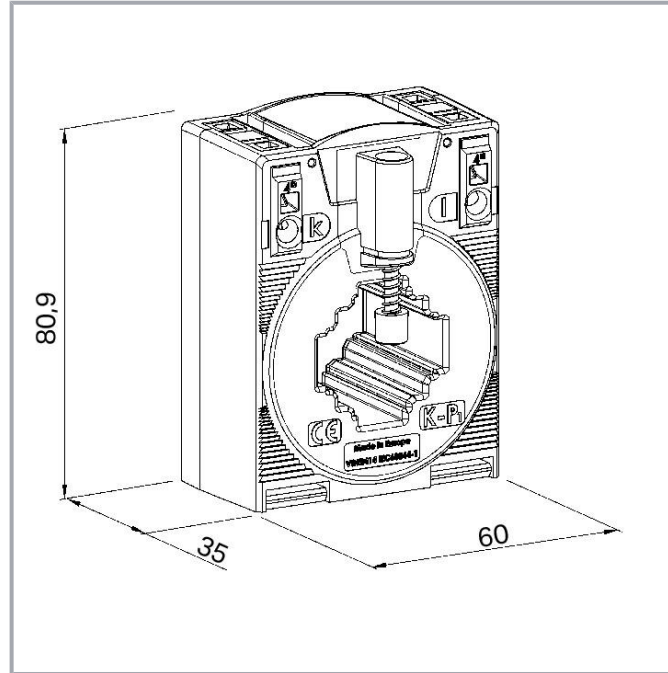
Plug-in current transformer; Primary rated current 750 A; Secondary rated current: 5 A; Rated power: 5 VA; Accuracy class: 0.5; for billing purposes



[www.wago.com/855-305/750-509](http://www.wago.com/855-305/750-509)



**i** Picture differs from the item.



## Item description

### Kurzbeschreibung:

Aufsteck-Stromwandler für die Verrechnungs-Messung der Serie 855 sind induktive, nach dem Trafo-Prinzip arbeitende, 1-Leiter-Stromwandler. Aufgrund des angewendeten Messprinzips eignen sich Stromwandler dieses Typs zur ausschließlichen Verwendung in Wechselstromnetzen.

Subject to changes. Please also observe the further product documentation!

WAGO Kontakttechnik GmbH & Co. KG

Hansastr. 27

32423 Minden

Phone: +49571 887-0 | Fax: +49571 887-169

Email: [info.de@wago.com](mailto:info.de@wago.com) | Web: [www.wago.com](http://www.wago.com)

Do you have any questions about our products?

We are always happy to take your call at +49 (571) 887-44222.

Die Aufsteck-Stromwandler entsprechen dem Modul D des Konformitätsbewertungsverfahrens und können für Verrechnungszwecke eingesetzt werden

**Merkmale:**

- Schraubenlose Anschluss technik mit CAGE-CLAMP® -Anschluss
- Verschiedene Montagemöglichkeiten
- Schockfest und rüttelsicher
- Hohe mechanische Haltekräfte
- Hohe Stromfestigkeit
- Ständig mit 120 % des primären Nennstroms überlastbar
- Niederspannungsstromwandler für Betriebsspannungen bis max. 1,2 kV
- Einsatz in 690 V-Netzen
- Zubehör: 879-3040; Energiezähler; mit Push-in CAGE CLAMP® und Hebel; Wandleranschluss (2PCT)

**Data****Technical data****Input – current transformer**

Primary rated current	750 A
Rated continuous thermal current $I_{cth}$	$1.2 \times I_N$ (AC)
Rated short-time thermal current $I_{th}$	$60 \times I_N / 1 \text{ s}$ (max. 100 kA / 1 s)
Overcurrent limiting factor	FS5 / FS10 (type dependent; see type plate inscription)
Rated frequency	50 ... 60 Hz

**Output – current transformer**

Secondary rated current	5 A
Rated power $S_r$	5 VA

**Measurement error**

Accuracy class	0.5
----------------	-----

**Safety and protection**

Highest voltage for equipment $U_m$	AC 1.2 kV <sub>rms</sub>
-------------------------------------	--------------------------

Subject to changes. Please also observe the further product documentation!

## Test voltage

Test voltage	AC 6 kV; 50 Hz; 1 min
--------------	-----------------------

## Connection data

Connection technology	CAGE CLAMP®
Solid conductor	0.08 ... 4 mm <sup>2</sup> / 28 ... 12 AWG
Fine-stranded conductor	0.08 ... 4 mm <sup>2</sup> / 28 ... 12 AWG
Strip length	9 ... 10 mm / 0.35 ... 0.39 inch

## Physical data

Width	60 mm / 2.362 inch
Height	80.9 mm / 3.185 inch
Depth	52 mm / 2.047 inch

## Mechanical data

Mounting type	Closed current transformer Installation on mounting plate Mounting on DIN-rail via DIN-rail adapter Mounting on round cable
---------------	--

## Material data

Insulation class	E
Weight	230 g

## Environmental requirements

Surrounding air temperature (operation)	-5 ... 50 °C
Surrounding air temperature (storage)	-25 ... 70 °C
Operating altitude (max.)	1000 m

## Standards and specifications

Conformity marking	CE
Standards/Specifications	EN 61869-1 EN 61869-2









Subject to changes. Please also observe the further product documentation!

## Commercial data

PU (SPU)	1 Stück
Packaging type	box
Country of origin	DE
GTIN	4055144041613
Customs tariff number	85043129900

## Optional accessories

### General accessories

	<b>Item no.: 2857-570/024-005</b> 3-Phase Power Measurement Module; 3x400/690 V/5 A; Modbus RTU; Digital output; Configuration via software; Supply voltage: 24 VDC	<a href="http://www.wago.com/2857-570/024-005">www.wago.com/2857-570/024-005</a>
	<b>Item no.: 857-550</b> Current signal conditioner; Current input signal; Current and voltage output signal; Digital output; Configuration via software; Supply voltage: 24 VDC; 6 mm module width; 2,50 mm <sup>2</sup>	<a href="http://www.wago.com/857-550">www.wago.com/857-550</a>
	<b>Item no.: 857-551</b> Current signal conditioner; Current input signal; Current and voltage output signal; Digital output; Configuration via software; Supply voltage: 24 VDC; 6 mm module width	<a href="http://www.wago.com/857-551">www.wago.com/857-551</a>
	<b>Item no.: 857-569</b> Power signal conditioner; Current and voltage input signal; Current and voltage output signal; Digital output; Configuration via software; Supply voltage: 24 VDC; 6 mm module width	<a href="http://www.wago.com/857-569">www.wago.com/857-569</a>
	<b>Item no.: 879-3040</b> Energy consumption meter; for transformer connection; 6 A; 3x230/400V; 50Hz; MID; Modbus® & M-Bus; 2 x S0 interface; 2CT	<a href="http://www.wago.com/879-3040">www.wago.com/879-3040</a>
<b>Tool</b>		
	<b>Item no.: 210-720</b> Operating tool; Blade: 3.5 x 0.5 mm; with a partially insulated shaft; multicoloured	<a href="http://www.wago.com/210-720">www.wago.com/210-720</a>
<b>Mounting</b>		
	<b>Item no.: 855-9900</b> Carrier rail adapter	<a href="http://www.wago.com/855-9900">www.wago.com/855-9900</a>
	<b>Item no.: 855-9910</b> Quick-mount kit	<a href="http://www.wago.com/855-9910">www.wago.com/855-9910</a>

## Downloads

### Documentation

#### Bid Text

855-305/750-509	5 Oct 2020	xml	Download
X81 - Datei		6.2 kB	

Subject to changes. Please also observe the further product documentation!

## Environmental Product Compliance

### Compliance Search

Environmental Product Compliance 855-305/750-509

URL

Download

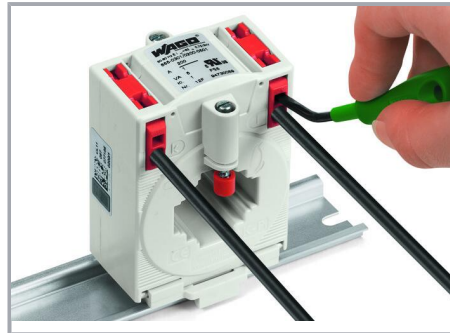
Plug-in current transformer; Primary rated current 750 A; Secondary rated current: 5 A; Rated power: 5 VA; Accuracy class: 0.5; for billing purposes

## Installation Notes

### Conductor termination

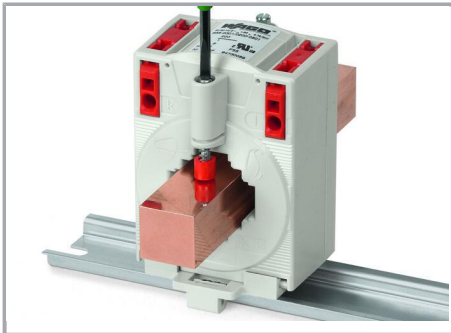


Conductor termination – screwdriver actuation perpendicular to conductor entry

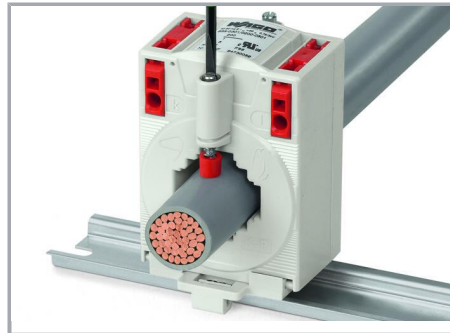


Conductor termination – screwdriver actuation parallel to conductor entry

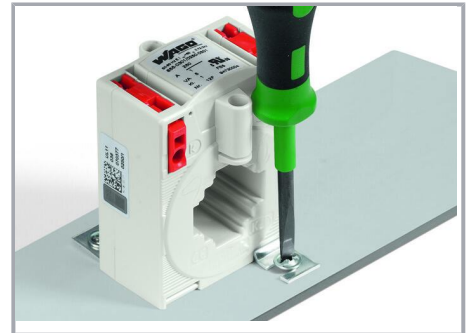
### Installation



Installation on copper current bar



Installation on round cable



Installation on mounting plate

Subject to changes. Please also observe the further product documentation!



Mounting on DIN-rail via 855-9900 DIN-Rail Adapter



Installation via 855-9910 Quick-Mount Kit

Subject to changes. Please also observe the further product documentation!