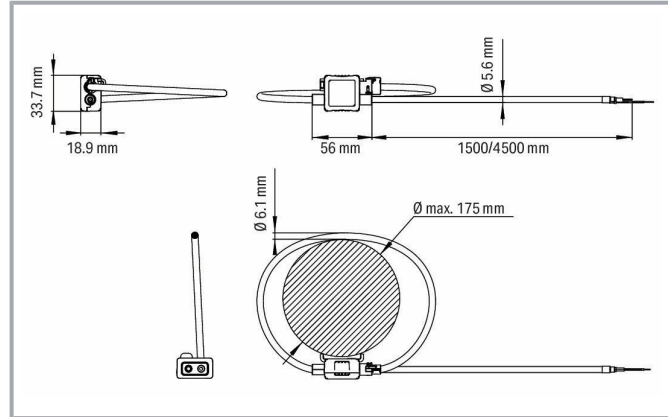
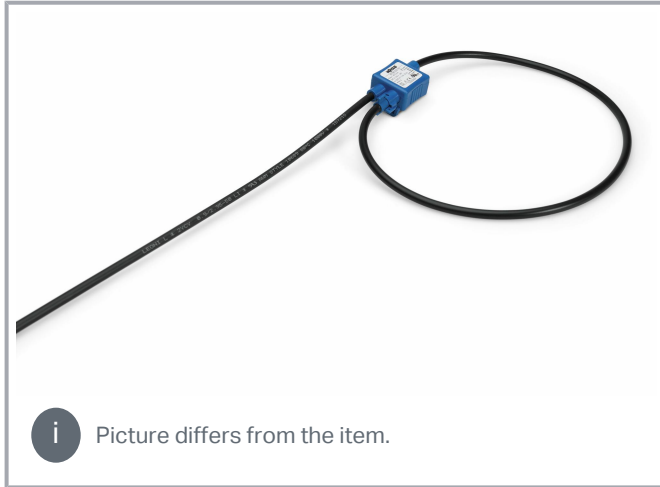


Data sheet | Item number: 855-9150/2000-1751

Rogowski coil; Primary rated current 4000 A; Output signal 22.5 mV per kA;
Cable length: 1.5 m; Feedthrough for measurement conductor 175 mm



www.wago.com/855-9150/2000-1751



Item description

Short description:

These Rogowski coils are closed-air coils featuring a non-magnetic split core that can be connected to WAGO products (857-552; 750-495/000-002; 2857-570/024-000).

Easy mounting of the Rogowski coils allows existing systems to be retrofitted without time-consuming installation or process interruption.

Features:

- Rated insulation voltage: 1000 V Cat. III/600 V Cat. IV
- Accuracy class: 0.5 (per EN 61869-2)
- Protection type: IP57
- Measurement coil diameter: 70, 125 or 175 mm
- Length of signal lines: 1.5 m or 4.5 m
- Surrounding air temperature: -40 ... +80°C
- Sealable bayonet connector
- Anchor points for cable ties

Note:

The specifications for the primary rated current refer to a combination with the WAGO Modules (857-552 and 750-495/000-002).

Subject to changes. Please also observe the further product documentation!

WAGO Kontakttechnik GmbH & Co. KG
Hansastr. 27
32423 Minden
Phone: +49571 887-0 | Fax: +49571 887-169
Email: info.de@wago.com | Web: www.wago.com

Do you have any questions about our products?
We are always happy to take your call at +49 (571) 887-44222.



Rogowski technology allows the coils to measure a wide primary current range of up to 10,000 A without loss of accuracy, because there are no saturation effects.

The requirements for standards EN 61869-1, EN 61869-2, EN 61869-6 and EN 61869-10 are only partially met, as there are fundamental differences with current transformers for a Rogowski coil.

Data

Technical data

Input – current transformer

| | |
|---|--|
| Primary rated current | 4000 A (in combination with WAGO products) |
| Rated short-time thermal current I_{th} | 300 kA at 50 Hz |
| Rated frequency | 50 ... 60 Hz |
| Mutual inductance M | 72.31 nH |

Output – analog

| | |
|----------------------|---------------------|
| Sensitivity | 22.5 mV/kA at 50 Hz |
| Output signal (max.) | 30 V |

Signal processing

| | |
|-----------------|---------|
| Limit frequency | 350 kHz |
|-----------------|---------|

Measurement error

| | |
|-------------------|---------|
| Accuracy class | 0.5 |
| Positioning error | ±0.75 % |

Safety and protection

| | |
|---------------------------------------|--|
| Rated insulation voltage | 1000 VAC _{rms} (Cat. III); 600 VAC _{rms} (Cat. IV) |
| Impulse withstand voltage (1.2/50 μs) | 12.8 kV |
| Protection type | IP57 |

Test voltage

| | |
|----------------------------|-------------------------|
| Voltage for isolation test | AC 7.4 kV; 50 Hz; 1 min |
|----------------------------|-------------------------|

Connection data

| | |
|---------------------------------------|----------|
| Feedthrough for measurement conductor | Ø 175 mm |
|---------------------------------------|----------|

Subject to changes. Please also observe the further product documentation!



Physical data

| | |
|--------------|-------|
| Cable length | 1.5 m |
|--------------|-------|

Mechanical data

| | |
|---------------|--|
| Mounting type | Split-core current transformer (suspended) |
|---------------|--|

Material data

| | |
|--------|-------|
| Weight | 130 g |
|--------|-------|

Environmental requirements

| | |
|---|----------------------------|
| Surrounding air temperature (operation) | -40 ... 80 °C |
| Surrounding air temperature (storage) | -40 ... 80 °C |
| Relative humidity | 90% (without condensation) |
| Operating altitude (max.) | 2000 m |

Standards and specifications

| | |
|--------------------------|--|
| Conformity marking | CE |
| Standards/Specifications | EN 61010-1 EN 61010-2-32 EN 61869-1 EN 61869-2 EN 61869-6 EN 61869-10 UL 61010-1 |

Commercial data

| | |
|-----------------------|---------------|
| PU (SPU) | 1 Stück |
| Packaging type | bag |
| Country of origin | BG |
| GTIN | 4055143419192 |
| Customs tariff number | 90303370000 |

Approvals / Certificates

UL-Approvals

| Logo | Approval | Additional Approval Text | Certificate name |
|------|----------|--------------------------|------------------|
|------|----------|--------------------------|------------------|

Subject to changes. Please also observe the further product documentation!

WAGO Kontakttechnik GmbH & Co. KG
Hansastr. 27
32423 Minden
Phone: +49571 887-0 | Fax: +49571 887-169
Email: info.de@wago.com | Web: www.wago.com

Do you have any questions about our products?
We are always happy to take your call at +49 (571) 887-44222.





UL
Underwriters Laboratories Inc.

UL 61010-2-032

E499682

Optional accessories

General accessories

| | | |
|--|--|--|
|  | Item no.: 2857-570/024-000 3-Phase Power Measurement Module; 3x400/690 V/RC; Modbus RTU; Digital output; Configuration via software; Supply voltage: 24 VDC | www.wago.com/2857-570/024-000 |
|  | Item no.: 857-552 Current signal conditioner; Input for Rogowski coils; Current and voltage output signal; Digital output; Configuration via software; Supply voltage: 24 VDC; 6 mm module width; 2,50 mm ² | www.wago.com/857-552 |

Downloads

Documentation

Bid Text

| | | | |
|------------------------------------|-------------|-----------------|----------|
| 855-9150/2000-1751 X81 - Datei | 24 Jan 2019 | xml 6.2 kB | Download |
| 855-9150/2000-1751 docx - Datei | 24 Jan 2019 | docx 18.5 kB | Download |

Instruction Leaflet

| | | | |
|--------------------------------------|---------|---------------|----------|
| Rogowski-Spulen RC70 / RC125 / RC175 | V 1.1.0 | pdf 1.7 MB | Download |
|--------------------------------------|---------|---------------|----------|

Additional Information

| | | | |
|--|---------|-----------------|----------|
| Disposal; Electrical and electronic equipment, Packaging | V 1.0.0 | pdf 265.8 kB | Download |
|--|---------|-----------------|----------|

Environmental Product Compliance

Compliance Search

| | | |
|---|-----|----------|
| Environmental Product Compliance 855-9150/2000-1751 Rogowski coil; Primary rated current 4000 A; Output signal 22.5 mV per kA; Cable length: 1.5 m; Feedthrough for measurement conductor 175 mm | URL | Download |
|---|-----|----------|

Subject to changes. Please also observe the further product documentation!

WAGO Kontakttechnik GmbH & Co. KG
Hansastr. 27
32423 Minden
Phone: +49571 887-0 | Fax: +49571 887-169
Email: info.de@wago.com | Web: www.wago.com

Do you have any questions about our products?
We are always happy to take your call at +49 (571) 887-44222.

Installation Notes

Installation



Bayonet connector:
Robust and durable



Screw-mount clips:
Quick and easy mounting with cable ties



Lock-out seal:
Greater security via sealable bayonet lock

Subject to changes. Please also observe the further product documentation!