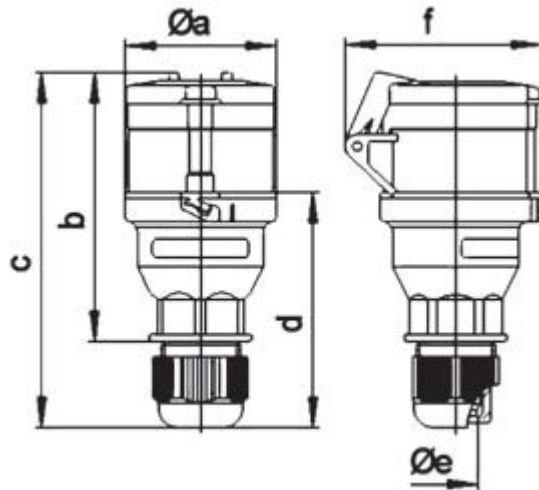


**Quick Connect Blue Connector With Multi-Grip Cable Gland 2P+E (6H) IP44
16A 240V**



Dimensions

All dimensions in mm.



| | | | |
|----------------|-------|-------------------------------|-------------------------------|
| $a\varnothing$ | b | c | d |
| 53 | 104.5 | 145 | 97.5 |
| $e\varnothing$ | f | Conductor mm ² min | Conductor mm ² max |
| 18 | 69 | 1 | 2.5 |