

50W DALI & Push Dimmable LED Drivers

multicomp PRO

**RoHS
Compliant**

Features

- Constant voltage/ PWM Output
- DALI & Push dimming function
- AC input: 100V AC to 265V AC
- Built-in active PFC function
- Efficiency up to 84%
- Protections: Short circuit/ Over load/ Over temperature
- Cooling by free air convection
- IP20 design for indoor installation.
- Suitable for intelligent LED lighting

| Models | MP007742 | MP007743 |
|-------------------------------|--|----------|
| Output Specifications | | |
| Output Voltage | 12V | 24V |
| Voltage Tolerance | ±0.5V | |
| Output Current | 4.16A | 2.08A |
| Rated Power | 50W | |
| Load Regulation | ± 2% | |
| Input Specifications | | |
| Input Voltage | 100V AC to 265V AC | |
| Frequency Range | 47Hz to 63Hz | |
| Inrush Current | 13A (Twidth=48µs 230V AC) | |
| Full Load Efficiency (Typ.) | 81% | 84% |
| AC Current (Max.) | 0.64A | 0.62A |
| Leakage Current | <0.5mA | |
| Power Factor | PF>0.95/230V AC (Full Loading) | |
| Protection | | |
| Short Circuit | Constant current mode, recovers automatically after fault condition is removed | |
| Over Loading | ≤120% constant current limiting, recovers automatically after fault condition is removed | |
| Over Temperature | 100°C ±10°C | |
| Protection Class | II | |
| Environment | | |
| Working Temperature | -40 to +60°C (Refer to derating curve) | |
| Working Humidity | 20% to 95% RH, non-condensing | |
| Storage Temperature, Humidity | -40°C to +80°C, 10% RH to 95% RH | |
| Temperature Coefficient | ±0.03%/°C (0°C to 50°C) | |
| Vibration | 10-500Hz, 5G 10min./ 1 cycle, period for 60min.each along X, Y, Z axes | |
| Safety & EMC | | |
| Safety Standards | EN61347-1, EN61347-2-13, EN62493, IP20 | |
| Withstand Voltage | I/P-O/P:3.75KV AC | |

Newark.com/multicomp-pro
Farnell.com/multicomp-pro
Element14.com/multicomp-pro

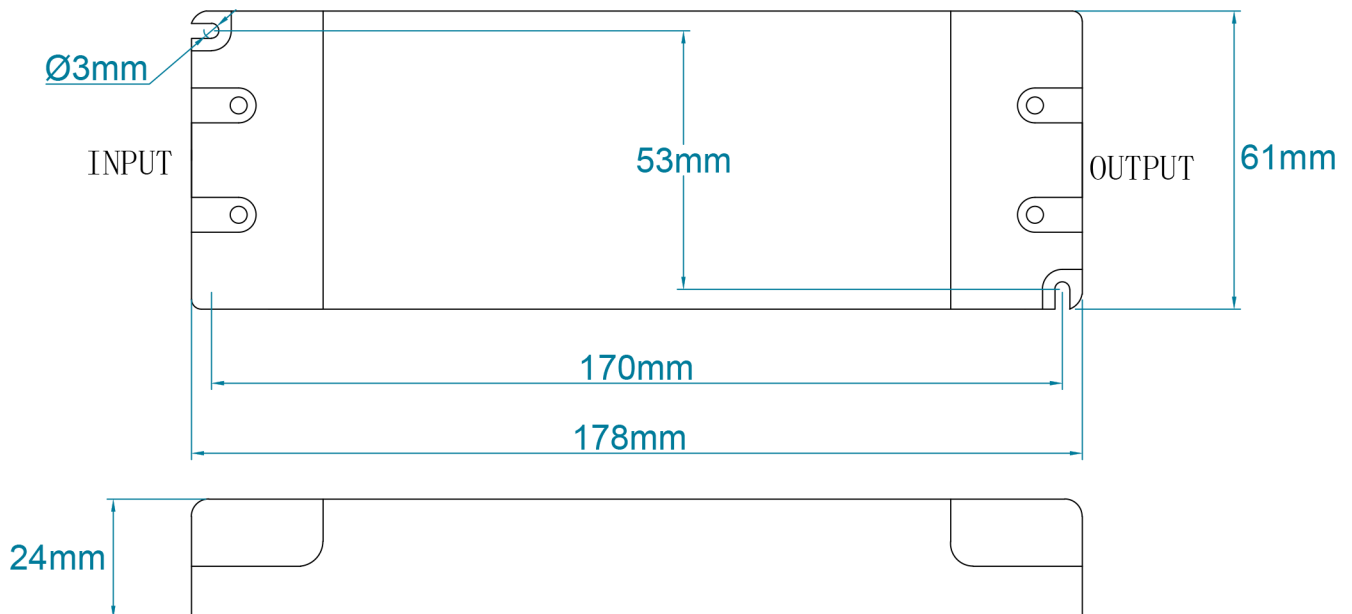
multicomp PRO

50W DALI & Push Dimmable LED Drivers

multicomp PRO

| Models | MP007742 | MP007743 |
|-----------------------------|---|----------|
| Isolation Resistance | I/P-O/P:100MΩ/500VDC/25°C/70%RH | |
| EMC Emission | Compliance to EN55015, EN61000-3-2, EN61000-3-3 (≥60% load) | |
| EMC Immunity | Compliance to EN61000-4-2,3,4,5,6,11, EN61547 | |
| Other Specifications | | |
| Weight | 0.36 Kg | |
| Size | 178mm × 61mm × 24mm | |
| Packing | 290mm × 215mm × 140mm (20PCS/CTN, 7.8 Kg/CTN)) | |

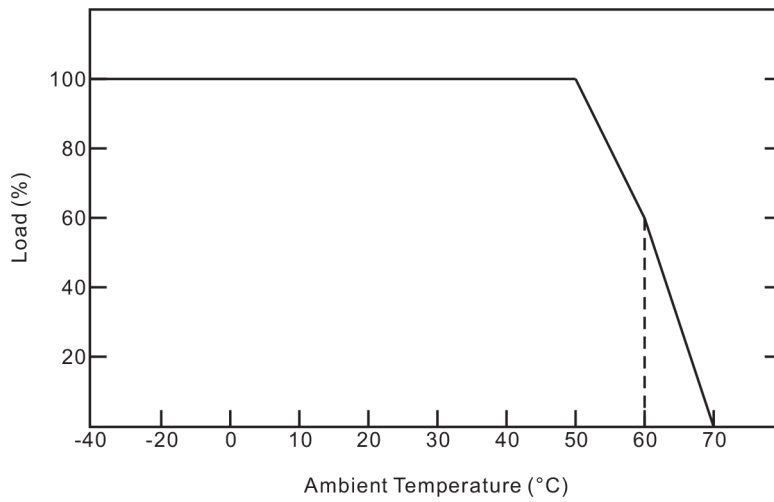
Mechanical Specification



Dimensions : Millimetres

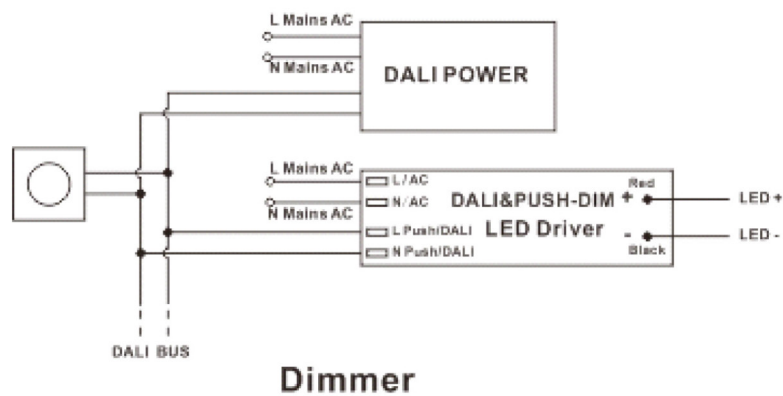
50W DALI & Push Dimmable LED Drivers

Derating Curve

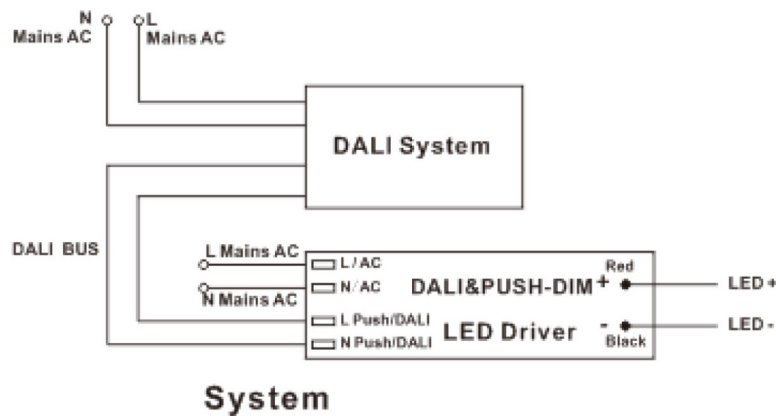


Connecting Diagram

DALI Dimming Wiring Diagram1



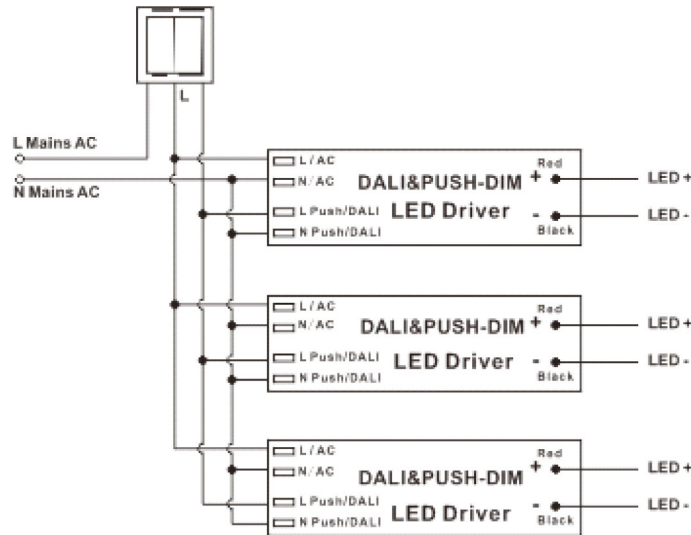
DALI Dimming Wiring Diagram2



50W DALI & Push Dimmable LED Drivers

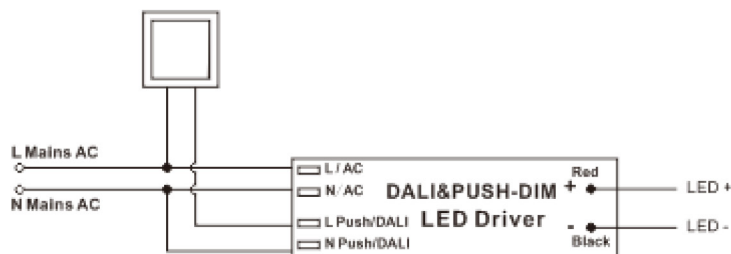
Connecting Diagram

Push-Dimming Wiring Diagram1



Dimmer (with ON/OFF function)

Push-Dimming Wiring Diagram2



Dimmer

Part Number Table

| Description | Part Number |
|---|-------------|
| DALI & Push Dimmable LED Driver, 50W, 12V, IP20 | MP007742 |
| DALI & Push Dimmable LED Driver, 50W, 24V, IP20 | MP007743 |

Important Notice : This data sheet and its contents (the "Information") belong to the members of the AVNET group of companies (the "Group") or are licensed to it. No licence is granted for the use of it other than for information purposes in connection with the products to which it relates. No licence of any intellectual property rights is granted. The Information is subject to change without notice and replaces all data sheets previously supplied. The Information supplied is believed to be accurate but the Group assumes no responsibility for its accuracy or completeness, any error in or omission from it or for any use made of it. Users of this data sheet should check for themselves the Information and the suitability of the products for their purpose and not make any assumptions based on information included or omitted. Liability for loss or damage resulting from any reliance on the Information or use of it (including liability resulting from negligence or where the Group was aware of the possibility of such loss or damage arising) is excluded. This will not operate to limit or restrict the Group's liability for death or personal injury resulting from its negligence. DURATOOL is the registered trademark of Premier Farnell Limited 2019.