



Alcoswitch

TE Internal #: 1825043-3

Snap Action Switches, Single Pole - Double Throw Configuration (Pole-Throw), Lever, Normal Actuator Style

[View on TE.com >](#)

Relays, Contactors & Switches > Switches > Snap Action Switches



Configuration (Pole-Throw): **Single Pole - Double Throw**

Actuator Style: **Lever, Normal**

Snap Action Switch Contact Current Rating: **.1 A**

Snap Action Switch Voltage Rating: **30 VDC**

Features

Product Type Features

Product Type	Switch
Switch Type	Snap Action
Actuator Style	Lever, Normal
Switch Style	Ultra Miniature

Configuration Features

Operating Position	7.9 mm[.311 in]
Configuration (Pole-Throw)	Single Pole - Double Throw

Electrical Characteristics

Snap Action Switch Voltage Rating	30 VDC
-----------------------------------	--------

Body Features

Movement Differential	.8 mm[.031 in]
Releasing Force	8 g[.282 oz]

Contact Features

Switch Contact Plating Material	Gold over Nickel
Contact Base Material	Brass
Snap Action Switch Contact Current Rating	.1 A

Termination Features

Termination Type	Printed Circuit Board
------------------	-----------------------

Mechanical Attachment



Snap Action Switch Mounting Type	Printed Circuit Board
----------------------------------	-----------------------

Snap Action Switch Mounting Angle	Vertical
-----------------------------------	----------

Housing Features

Housing Material	Nylon - GF
------------------	------------

Dimensions

Pre Travel	3 mm [.118 in]
------------	----------------

Operation/Application

Operating Force	50 g [1.764 oz]
-----------------	-----------------

Other

Over Travel	.6 mm [.024 in]
-------------	-----------------

Product Compliance

[For compliance documentation, visit the product page on TE.com>](#)

EU RoHS Directive 2011/65/EU	Compliant
------------------------------	-----------

EU ELV Directive 2000/53/EC	Compliant
-----------------------------	-----------

China RoHS 2 Directive MIIT Order No 32, 2016	No Restricted Materials Above Threshold
---	---

EU REACH Regulation (EC) No. 1907/2006	Current ECHA Candidate List: JAN 2021 (211) Candidate List Declared Against: JAN 2021 (211) Does not contain REACH SVHC
--	---

Halogen Content	Low Halogen - Br, Cl, F, I < 900 ppm per homogenous material. Also BFR/CFR/PVC Free
-----------------	---

Solder Process Capability	Wave solder capable to 265°C
---------------------------	------------------------------

Product Compliance Disclaimer

This information is provided based on reasonable inquiry of our suppliers and represents our current actual knowledge based on the information they provided. This information is subject to change. The part numbers that TE has identified as EU RoHS compliant have a maximum concentration of 0.1% by weight in homogenous materials for lead, hexavalent chromium, mercury, PBB, PBDE, DBP, BBP, DEHP, DIBP, and 0.01% for cadmium, or qualify for an exemption to these limits as defined in the Annexes of Directive 2011/65/EU (RoHS2). Finished electrical and electronic equipment products will be CE marked as required by Directive 2011/65/EU. Components may not be CE marked. Additionally, the part numbers that TE has identified as EU ELV compliant have a maximum concentration of 0.1% by weight in homogenous materials for lead, hexavalent chromium, and mercury, and 0.01% for cadmium, or qualify for an exemption to these limits as defined in the Annexes of Directive 2000/53/EC (ELV). Regarding the REACH Regulation, the information TE provides on SVHC in articles for this part number is based on the latest European Chemicals Agency (ECHA) 'Guidance on requirements for substances in articles' posted at this URL: <https://echa.europa.eu/guidance-documents/guidance-on-reach>

Compatible Parts



TE Part # 1825043-7
UP01DTBNLA04,MICROSWITCH,SNAP



TE Part # 1825043-1
UP01DTAOLA04,MICROSWITCH,SNAP



TE Part # 1-1825043-6
UP3DTANLB04,MICROSWITCH,SNAP



TE Part # 1-1825043-5
UP3DTANLA04,MICROSWITCH,SNAP



TE Part # 1-1825043-3
UP3DTAOLA04,MICROSWITCH,SNAP



TE Part # 1825043-4
UP01DTANLB04,MICROSWITCH,SNAP



TE Part # 1825043-2
UP01DTAOLB04,MICROSWITCH,SNAP



TE Part # 1825043-6
UP01DTBOLB04,MICROSWITCH,SNAP



TE Part # 2-1825043-0
UP3DTBNLB04,MICROSWITCH,SNAP

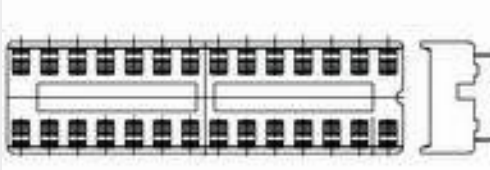


TE Part # 1-1825043-9
UP3DTBNLA04,MICROSWITCH,SNAP

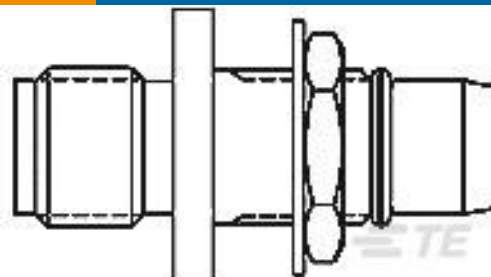
Customers Also Bought



TE Part #1-292253-1
CT CONN MT HDR ASSY H 11P NAT



TE Part #1-2199298-5
18P,DIP SKT,300 CL,LDR,PB FREE



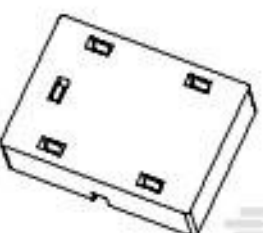
TE Part #1059756-1
4585 2240 02



TE Part #926521-2
PL 250 REC HSG 2P NYLON BLACK



TE Part #1-1744036-0
10P ECONOMY POWER .200 CL HSG



TE Part #1423682-1
27E1064=SOCKET,PCB,T7C/T7N



TE Part #1-971111-2
9W FRC MADISON SPEC 100-4703 REV. 7



TE Part #1-2040537-1
INDUSTRIAL MINI I/O H-HDR ASSY DIP 2



Documents

Product Drawings

[UP01DTANLA04,MICROSWITCH,SNAP](#)

English

CAD Files

3D PDF

English

Customer View Model

[ENG_CVM_1825043-3_B1.2d_dxf.zip](#)

English

Customer View Model

[ENG_CVM_1825043-3_B1.3d_igs.zip](#)

English

Customer View Model

[ENG_CVM_1825043-3_B1.3d_stp.zip](#)

English

By downloading the CAD file I accept and agree to the [Terms and Conditions](#) of use.

Datasheets & Catalog Pages

[SWITCHES_CORE_PROGRAM_CATALOG](#)

English

Product Environmental Compliance

[TE Material Declaration](#)

English