

TRD13D10WL04 ✓ ACTIVE

Alcoswitch | Alcoswitch TRD

TE Internal #: 1825420-1

Alcoswitch TRD, Rocker Switches, Power, 15/32" (Round Hole)

Rocker Switch Mounting Type, None Indicator/Imprint Legend

[View on TE.com >](#)



Relays, Contactors & Switches > Switches > Rocker Switches



Rocker Switch Type: **Power**

Rocker Switch Mounting Type: **15/32" (Round Hole)**

Indicator/Imprint Legend: **None**

Panel Cutout Size: **11.3 x 12.06 mm [.44 x .47 in]**

Switch Contact Plating Material: **Silver**

Features

Product Type Features

Product Type	Switch
Rocker Switch Type	Power
Lamp	Without
Rocker Switch LED	Without
Actuator Type	Top
Actuator Style	Rocker

Configuration Features

Indicator/Imprint Legend	None
Panel Cutout Size	11.3 x 12.06 mm [.44 x .47 in]
Configuration (Pole-Throw)	Single Pole - Double Throw
Operating Function	On None On

Electrical Characteristics

Rocker Switch Voltage Rating	125 VAC
------------------------------	---------

Body Features



Actuator Color	Black
----------------	-------

Contact Features

Switch Contact Plating Material	Silver
---------------------------------	--------

Rocker Switch Contact Current Rating	3 A
--------------------------------------	-----

Termination Features

Termination Type	Wire Lugs
------------------	-----------

Mechanical Attachment

Mounting Angle	Vertical
----------------	----------

Rocker Switch Mounting Type	15/32" (Round Hole)
-----------------------------	---------------------

Housing Features

Process Sealed	No
----------------	----

Industry Standards

VDE Tested	No
------------	----

Product Compliance

[For compliance documentation, visit the product page on TE.com>](#)

EU RoHS Directive 2011/65/EU	Compliant with Exemptions
------------------------------	---------------------------

EU ELV Directive 2000/53/EC	Compliant with Exemptions
-----------------------------	---------------------------

China RoHS 2 Directive MIIT Order No 32, 2016	Restricted Materials Above Threshold
---	--------------------------------------

EU REACH Regulation (EC) No. 1907/2006	Current ECHA Candidate List: JAN 2021 (211) Candidate List Declared Against: JUL 2017 (174) SVHC > Threshold: Not Yet Reviewed
--	---

Halogen Content	Not Low Halogen - contains Br or Cl > 900 ppm.
-----------------	--

Solder Process Capability	Hand solderable with lead free solder
---------------------------	---------------------------------------

Product Compliance Disclaimer

This information is provided based on reasonable inquiry of our suppliers and represents our current actual knowledge based on the information they provided. This information is subject to change. The part numbers that TE has identified as EU RoHS compliant have a maximum concentration of 0.1% by weight in homogenous materials for lead, hexavalent chromium, mercury, PBB, PBDE, DBP, BBP, DEHP, DIBP, and 0.01% for cadmium, or qualify for an exemption to these limits as defined in the Annexes of Directive 2011/65/EU (RoHS2). Finished electrical and electronic equipment products will be CE marked as required by Directive 2011/65/EU. Components may not be CE marked. Additionally, the part numbers that TE has identified as EU ELV compliant have a maximum concentration of 0.1% by weight in homogenous materials for lead, hexavalent chromium, and mercury, and 0.01% for cadmium, or qualify for an exemption to these limits as defined in the Annexes of Directive 2000/53/EC (ELV). Regarding the REACH Regulations, TE's information on SVHC in articles for this part number is still based on the European Chemical Agency (ECHA) 'Guidance on requirements for

substances in articles' (Version: 2, April 2011), applying the 0.1% weight on weight concentration threshold at the finished product level. TE is aware of the European Court of Justice ruling of September 10th, 2015 also known as O5A (Once An Article Always An Article) stating that, in case of 'complex object', the threshold for a SVHC must be applied to both the product as a whole and simultaneously to each of the articles forming part of its composition. TE has evaluated this ruling based on the new ECHA "Guidance on requirements for substances in articles" (June 2017, version 4.0) and will be updating its statements accordingly.

Compatible Parts



TE Part # 4-1437595-1
TRD11D10WL=SPDT ROCKER BLACK



TE Part # 5-1437595-6
TRD11G10WL=ROCKER SW SPDT (ON)



TE Part # 1825426-1
TRD13D10WLLR204 rocker switch

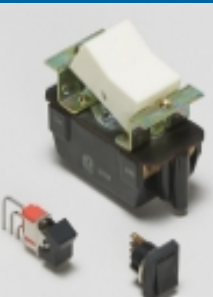


TE Part # 5-1437595-9
TRD11H10WL=ROCKER GOLD ON OFF



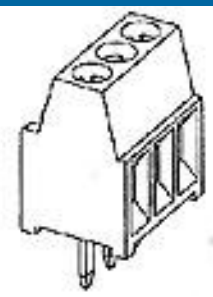
TE Part # 4-1437595-2
TRD11D10WLLR5=SP ROCKER LIGHTE

Also in the Series | Alcoswitch TRD



Rocker Switches(42)

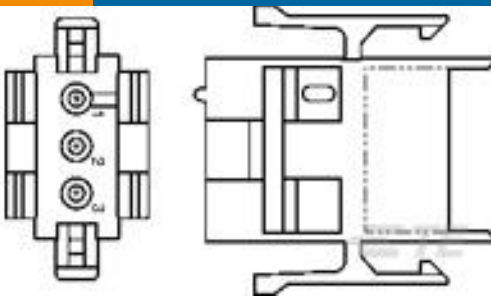
Customers Also Bought



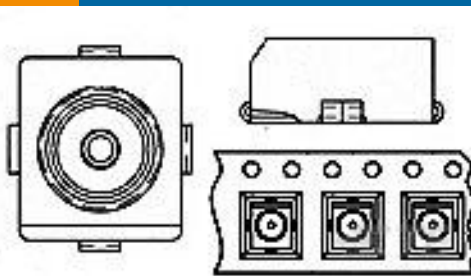
TE Part #1-282834-0
TERMI-BLOK PCB MOUNT, 90 10P.



TE Part #1-794617-0
10POS,MICRO MNL,RCPT HSG



TE Part #1-640507-0
02P MR II CAP HSG



TE Part #1055689-1
2367 5002 54,VERT PLUG



TE Part #1-1609112-2
15CE1=F8272



TE Part #1-794607-1
MICRO MNL RPT CNT STRP 15AU LF



TE Part #1-794608-2
PIN CONT 20-24 30 GOLD STRIP



TE Part #EG3238-000
LWB-101-6.0(100)

Documents

Product Drawings

[TRD13D10WL04 rocker switch](#)

English

CAD Files

Customer View Model

[ENG_CVM_CVM_1825420-1_A.2d_dxf.zip](#)

English

3D PDF

3D

Customer View Model

[ENG_CVM_CVM_1825420-1_A.3d_igs.zip](#)

English

Customer View Model

[ENG_CVM_CVM_1825420-1_A.3d_stp.zip](#)

English

By downloading the CAD file I accept and agree to the [Terms and Conditions](#) of use.

Datasheets & Catalog Pages

[SWITCHES_CORE_PROGRAM_CATALOG](#)

English