



Alcoswitch

TE Internal #: 1825537-1

Rotary Switches, 12 Position, Long Thin Knob Actuator Style, Rotary Switch Style, Rotary Rotary Switch Type, 12 Switch, Epoxy

[View on TE.com >](#)

Relays, Contactors & Switches > Switches > Rotary Switches



Number of Rotary Switch Positions: 12

Actuator Style: **Long Thin Knob**

Switch Style: **Rotary**

Rotary Switch Type: **Rotary**

Number of Switches: 12

Features

Product Type Features

Removable Tape Seal	Without
Product Type	Switch
Illuminated	No
Actuator Style	Long Thin Knob
Switch Style	Rotary
Rotary Switch Type	Rotary
Sealed Rotary Switch	No
Code Type	Single Pole
Angle of Throw	30

Configuration Features

Number of Rotary Switch Positions	12
Number of Switches	12

Electrical Characteristics

Rotary Switch Voltage Rating	20 VAC
------------------------------	--------

Contact Features

Solder Tail Contact Plating	Gold over Nickel
Rotary Switch Contact Current Rating	.4 A
Rotary Switch Contact Mating Area Plating Material	Gold
Contact Base Material	Brass



Mechanical Attachment

Rotary Switch Mounting Type	Printed Circuit Board
Rotary Switch Mounting Angle	Straight

Housing Features

Rotary Switch Housing Material	Epoxy
--------------------------------	-------

Usage Conditions

Oil-Tight	No
-----------	----

Other

Comment	Continuous Rotation, Process Sealed - Splash proof
---------	---

Product Compliance

[For compliance documentation, visit the product page on TE.com>](#)

EU RoHS Directive 2011/65/EU	Not Compliant
EU ELV Directive 2000/53/EC	Compliant with Exemptions
China RoHS 2 Directive MIIT Order No 32, 2016	No Restricted Materials Above Threshold
EU REACH Regulation (EC) No. 1907/2006	Current ECHA Candidate List: JAN 2021 (211) Candidate List Declared Against: JUL 2019 (201) SVHC > Threshold: Pb (3.7% in Shaft) Pb (3.7% in Nut) Article Safe Usage Statements: Do not eat, drink or smoke when using this product. Wash thoroughly after handling. Recycle if possible and dispose of the article by following all applicable governmental regulations relevant to your geographic location.
Halogen Content	Not Low Halogen - contains Br or Cl > 900 ppm.
Solder Process Capability	Wave solder capable to 265°C

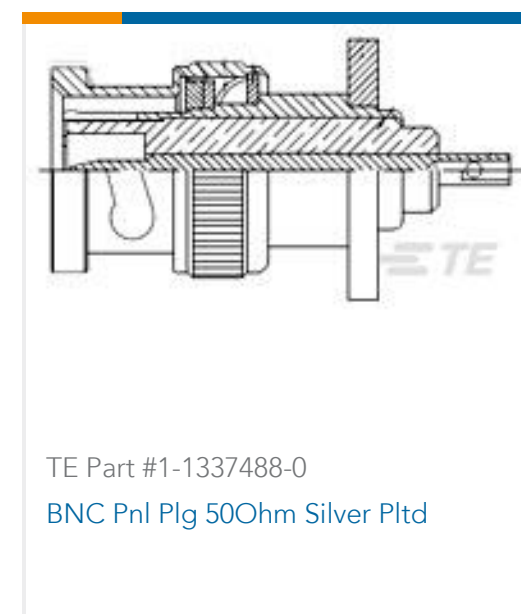
Product Compliance Disclaimer

This information is provided based on reasonable inquiry of our suppliers and represents our current actual knowledge based on the information they provided. This information is subject to change. The part numbers that TE has identified as EU RoHS compliant have a maximum concentration of 0.1% by weight in homogenous materials for lead, hexavalent chromium, mercury, PBB, PBDE, DBP, BBP, DEHP, DIBP, and 0.01% for cadmium, or qualify for an exemption to these limits as defined in the Annexes of Directive 2011/65/EU (RoHS2). Finished electrical and electronic equipment products will be CE marked as required by Directive 2011/65/EU. Components may not be CE marked. Additionally, the part numbers that TE has identified as EU ELV compliant have a maximum concentration of 0.1% by weight in homogenous materials for lead, hexavalent chromium, and mercury, and 0.01% for cadmium, or qualify for an exemption to these limits as defined in the Annexes of Directive 2000/53/EC (ELV). Regarding the REACH Regulation, the information TE provides on SVHC in articles for this part number is based on the latest European Chemicals Agency (ECHA) 'Guidance on requirements for substances in articles' posted at this URL: <https://echa.europa.eu/guidance-documents/guidance-on-reach>

Compatible Parts



Customers Also Bought



Documents

Product Drawings

[MRJE11204](#)

English

CAD Files

[3D PDF](#)

3D

Customer View Model

[ENG_CVM_CVM_1825537-1_A.2d_dxf.zip](#)

English

Customer View Model

[ENG_CVM_CVM_1825537-1_A.3d_igs.zip](#)

English

Customer View Model



[ENG_CVM_CVM_1825537-1_A.3d_stp.zip](#)

English

By downloading the CAD file I accept and agree to the [Terms and Conditions](#) of use.