



Socket for Micro Relays

TE Internal #: 1-1904045-6

Socket for Micro Relays, Relay Sockets, Wiring Harness, Relay

Socket For Use With Plug-In Mini ISO Relays

[View on TE.com >](#)

Relays, Contactors & Switches > Relays > Automotive Relays > Automotive Plug-In Relays > Relay Sockets



Relay Socket Type: **Wiring Harness**

Relay Socket For Use With: **Plug-In Mini ISO Relays**

Features

Product Type Features

| | |
|--------------|--------|
| Product Type | Socket |
|--------------|--------|

Contact Features

| | |
|-------------------|----------------|
| Relay Socket Type | Wiring Harness |
|-------------------|----------------|

Operation/Application

| | |
|---------------------------|-------------------------|
| Relay Socket For Use With | Plug-In Mini ISO Relays |
|---------------------------|-------------------------|

Product Compliance

[For compliance documentation, visit the product page on TE.com>](#)

| | |
|---|---|
| EU RoHS Directive 2011/65/EU | Compliant |
| EU ELV Directive 2000/53/EC | Compliant |
| China RoHS 2 Directive MIIT Order No 32, 2016 | No Restricted Materials Above Threshold |
| EU REACH Regulation (EC) No. 1907/2006 | Current ECHA Candidate List: JAN 2021 (211) Candidate List Declared Against: JAN 2021 (211) Does not contain REACH SVHC |
| Halogen Content | Low Halogen - Br, Cl, F, I < 900 ppm per homogenous material. Also BFR/CFR/PVC Free |
| Solder Process Capability | Not applicable for solder process capability |

Product Compliance Disclaimer

This information is provided based on reasonable inquiry of our suppliers and represents our current actual knowledge based on the information they provided. This information is subject to change. The part numbers that TE has identified as

EU RoHS compliant have a maximum concentration of 0.1% by weight in homogenous materials for lead, hexavalent chromium, mercury, PBB, PBDE, DBP, BBP, DEHP, DIBP, and 0.01% for cadmium, or qualify for an exemption to these limits as defined in the Annexes of Directive 2011/65/EU (RoHS2). Finished electrical and electronic equipment products will be CE marked as required by Directive 2011/65/EU. Components may not be CE marked. Additionally, the part numbers that TE has identified as EU ELV compliant have a maximum concentration of 0.1% by weight in homogenous materials for lead, hexavalent chromium, and mercury, and 0.01% for cadmium, or qualify for an exemption to these limits as defined in the Annexes of Directive 2000/53/EC (ELV). Regarding the REACH Regulation, the information TE provides on SVHC in articles for this part number is based on the latest European Chemicals Agency (ECHA) 'Guidance on requirements for substances in articles' posted at this URL: <https://echa.europa.eu/guidance-documents/guidance-on-reach>

Compatible Parts



TE Part # 6-1419137-4
V23074A2001A403-EV-CBOX



TE Part # 8-1393292-4
V23074A1001A403-SZ-CBOX



TE Part # 4-1904124-3
V23074A1001A403-EV-CBOX



TE Part # 1393292-5
V23074A1001A402-SZ-CBOX



TE Part # 4-1904124-2
V23074A1001A402-EV-CBOX



TE Part # 2-1414971-4
V23074H1005A502-SZ-CBOX



TE Part # 2359392-1
V23074A1002A402-EV-CBOX



TE Part # 3-1414773-5
V23145B1101A402-EV-CBOX



TE Part # 4-1904124-4
V23074H1005A502-EV-CBOX




TE Part # 5-1393292-8
V23074A2001A402-EV-CBOX



TE Part # 9-1904105-7
V23074A2001A403-SZ-CBOX

Also in the Series | Socket for Micro Relays



Relay Sockets(5)

Customers Also Bought



TE Part #T4131012051-000
M12,REAR MOUNT,FEMALE,A,5P,
SOLDER WIRE



TE Part #1-963207-1
4P J-P-TIM GEH KPL



TE Part #1379674-1
4W TAB HSG CODING 1 BLACK



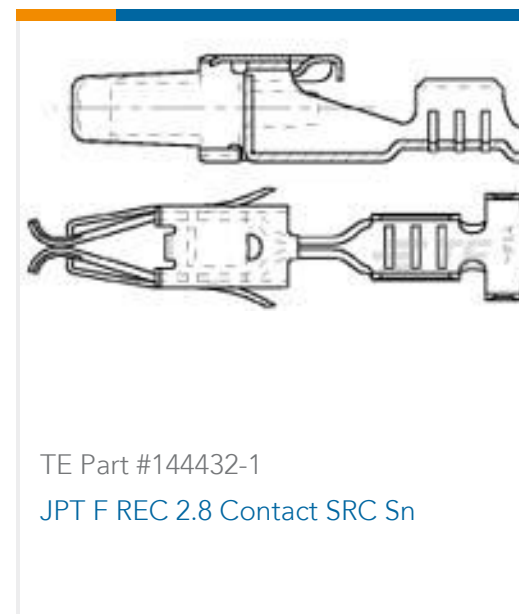
TE Part #160927-4
FF 250 REC 1.0-2.5MM2 TPPB



TE Part #1-2112780-5
18POS, MIXED,REC HSG,ASSY,
SEALED



TE Part #1544434-1
BOITIER PC 2 VOIES



TE Part #144432-1
JPT F REC 2.8 Contact SRC Sn



TE Part #1318306-1
187 POSITIVE MK-2 REC



TE Part #1379209-2
26W COVER ASSEMBLY

Documents

Product Drawings

[V23333Z0001B046-EV-100](#)

English

CAD Files

[3D PDF](#)

3D

Customer View Model

[ENG_CVM_CVM_1-1904045-6_A.2d_dxf.zip](#)

English

Customer View Model

[ENG_CVM_CVM_1-1904045-6_A.3d_igs.zip](#)

English

Customer View Model

[ENG_CVM_CVM_1-1904045-6_A.3d_stp.zip](#)

English

By downloading the CAD file I accept and agree to the [Terms and Conditions](#) of use.



Datasheets & Catalog Pages

[Automotive Relay Application Notes](#)

English

[Connectors for Micro ISO, Connectors Production Europe, Accessories](#)

English

Product Specifications

[Definitions, Handling, Processing, Testing and Use of Relays](#)

English