

2291392-4 ✓ ACTIVE

FAKRA RF Connector System

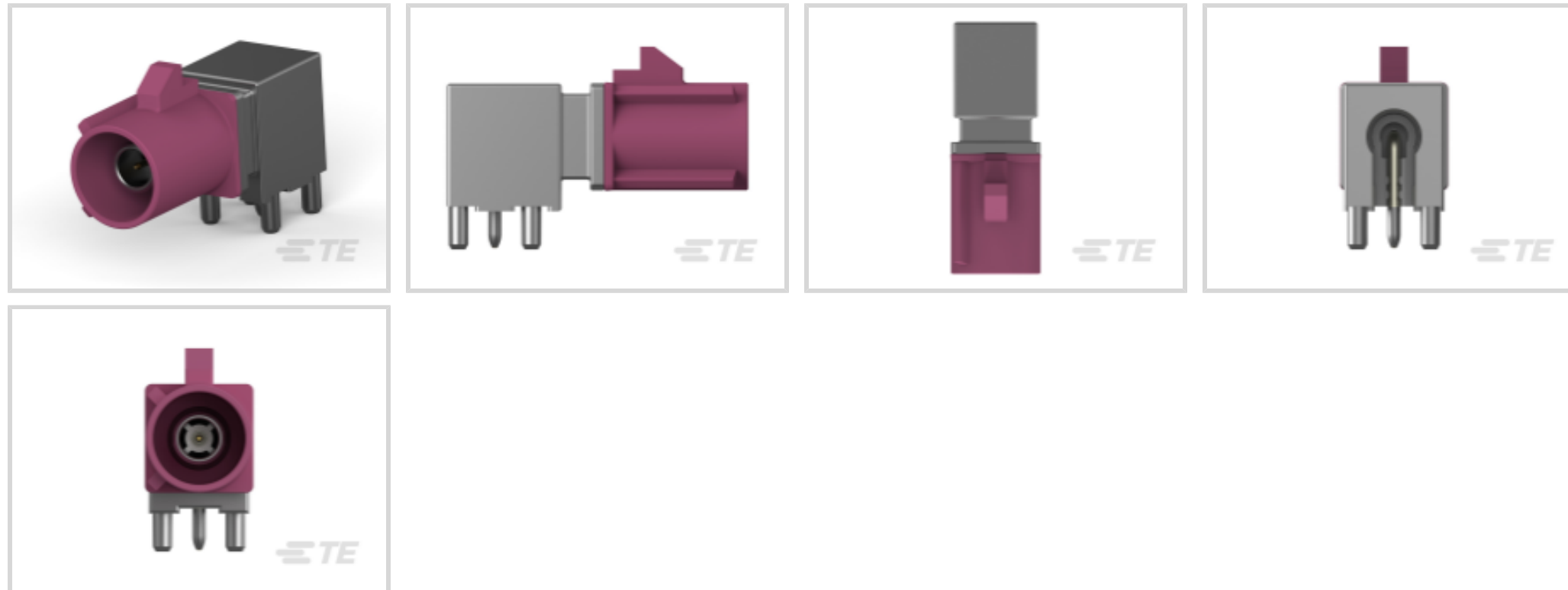
TE Internal #: 2291392-4

FAKRA RF Connector System, Data Connectivity Headers, Code D,
Wire-to-Board, 1 Position, Shielded, Horizontal, Printed Circuit
Board, Signal

[View on TE.com >](#)



Connectors > Automotive Connectors > Data Connectivity Systems > Data Connectivity Headers



Mating Pin Diameter: .5 mm [.02 in]

Keying Code: D

Connector System: **Wire-to-Board**

Number of Positions: 1

Sealable: No

Features

Product Type Features

Board Standoff	With
Hybrid Connector	No
Connector System	Wire-to-Board
Sealable	No
Connector & Contact Terminates To	Printed Circuit Board

Configuration Features

Keying Code	D
Number of Positions	1
PCB Mount Orientation	Horizontal

Electrical Characteristics

Impedance	50 Ω
-----------	-------------

Signal Characteristics

Operating Frequency Range	0 – 6000 MHz
---------------------------	--------------



Contact Features

Center Contact	With
Contact Type	Pin
Contact Mating Area Plating Material	Gold (Au)
RF Connector Center Contact Plating Material	Tin (Sn)
Mating Pin Diameter	.5 mm[.02 in]

Mechanical Attachment

PCB Mounting Style	Through Hole - Solder
PCB Mount Retention Type	Solder Tail

Housing Features

Housing Color	Claret Violet
---------------	---------------

Usage Conditions

Operating Temperature (Max)	65 °C, 70 °C, 75 °C, 80 °C, 85 °C, 90 °C, 100 °C, 105 °C[149 °F][158 °F][167 °F][176 °F][185 °F][194 °F][212 °F][221 °F]
Operating Temperature Range	-40 – 105 °C[-40 – 221 °F]

Operation/Application

Shielded	Yes
Circuit Application	Signal

Industry Standards

Agency/Standard	DIN 72594-1
-----------------	-------------

Packaging Features

Packaging Method	Reel
------------------	------

Other

Solder Process	Reflow
Outer Contact Plating Material	Tin (Sn)
Dielectric Material	PCT GF

Product Compliance

[For compliance documentation, visit the product page on TE.com>](#)

EU RoHS Directive 2011/65/EU	Compliant
EU ELV Directive 2000/53/EC	Compliant



China RoHS 2 Directive MIIT Order No 32, 2016	No Restricted Materials Above Threshold
EU REACH Regulation (EC) No. 1907/2006	Current ECHA Candidate List: JAN 2021 (211) Candidate List Declared Against: JAN 2021 (211) Does not contain REACH SVHC
Halogen Content	BFR/CFR/PVC Free, but Br/Cl >900 ppm in other sources.
Solder Process Capability	Pin-in-Paste capable to 260°C

Product Compliance Disclaimer

This information is provided based on reasonable inquiry of our suppliers and represents our current actual knowledge based on the information they provided. This information is subject to change. The part numbers that TE has identified as EU RoHS compliant have a maximum concentration of 0.1% by weight in homogenous materials for lead, hexavalent chromium, mercury, PBB, PBDE, DBP, BBP, DEHP, DIBP, and 0.01% for cadmium, or qualify for an exemption to these limits as defined in the Annexes of Directive 2011/65/EU (RoHS2). Finished electrical and electronic equipment products will be CE marked as required by Directive 2011/65/EU. Components may not be CE marked. Additionally, the part numbers that TE has identified as EU ELV compliant have a maximum concentration of 0.1% by weight in homogenous materials for lead, hexavalent chromium, and mercury, and 0.01% for cadmium, or qualify for an exemption to these limits as defined in the Annexes of Directive 2000/53/EC (ELV). Regarding the REACH Regulation, the information TE provides on SVHC in articles for this part number is based on the latest European Chemicals Agency (ECHA) 'Guidance on requirements for substances in articles' posted at this URL: <https://echa.europa.eu/guidance-documents/guidance-on-reach>

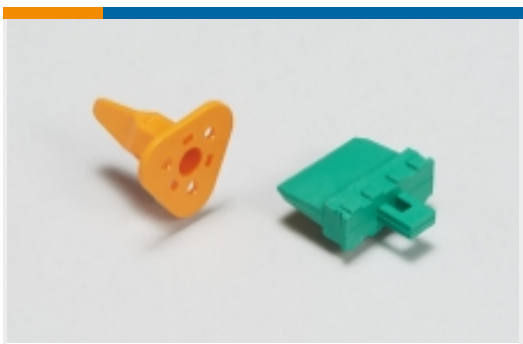
Also in the Series | FAKRA RF Connector System



Automotive Connector Caps & Covers (1)



Automotive Connector EMC Shielding (5)



Automotive Connector Locks & Position Assurance(4)



Automotive Headers(1)



Automotive Housings(2)



Automotive Terminals(12)



Coax Contacts(1)



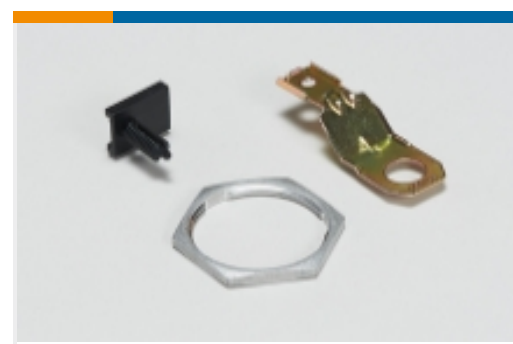
Data Connectivity Headers(358)



Data Connectivity Housings(380)



Infotainment & Multimedia Cable Assemblies(1)

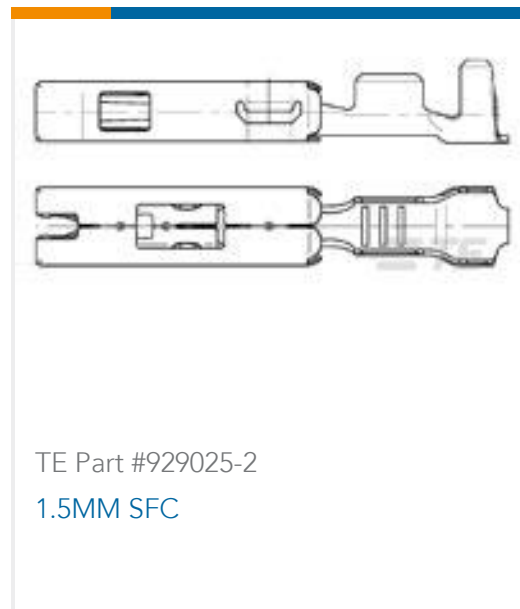
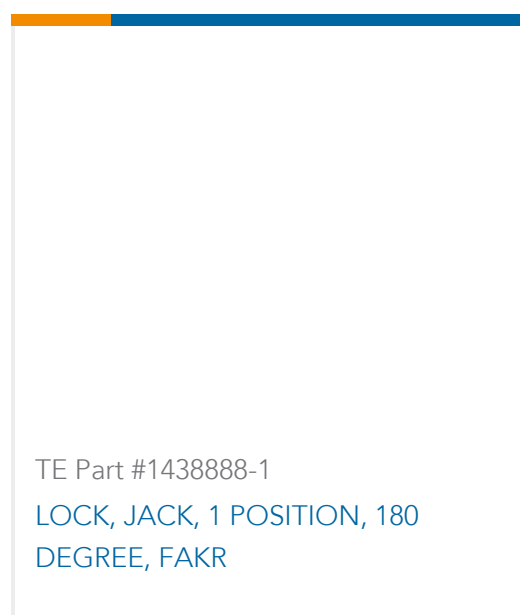
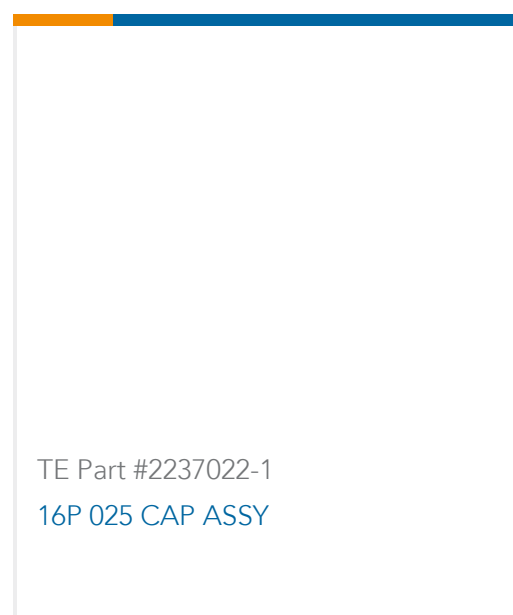


Other Automotive Connector Accessories(31)



RF Connectors(1)

Customers Also Bought

TE Part #1674477-1
SIGNAL HEADERTE Part #929025-2
1.5MM SFCTE Part #2-967348-2
MQS SHIELD FOR HOUSING 32POS.TE Part #2278770-1
4P SOCKET HOUSINGTE Part #2050723-5
COVER FOR MQS HSG 2x16 POS
ASSYTE Part #1438888-1
LOCK, JACK, 1 POSITION, 180
DEGREE, FAKRTE Part #2237022-1
16P 025 CAP ASSY

Documents

Product Drawings

MALE ASM, 1 POS, R/A, PCB, FAKRA

English

CAD Files

3D PDF

3D

Customer View Model

[ENG_CVM_CVM_2291392-4_A.2d_dxf.zip](#)

English

Customer View Model

[ENG_CVM_CVM_2291392-4_A.3d_igs.zip](#)

English

Customer View Model

[ENG_CVM_CVM_2291392-4_A.3d_stp.zip](#)

English

By downloading the CAD file I accept and agree to the [Terms and Conditions](#) of use.



[Product Specifications](#)

[Application Specification](#)

English