

6329823-1 ✓ ACTIVE

TE Internal #: 6329823-1

Coax Terminators, 50  $\Omega$ , 1 Position, Sealable, Signal, Operating Temperature Range -65 – 125  $^{\circ}\text{C}$  [-85 – 257  $^{\circ}\text{F}$ ]

[View on TE.com >](#)



Connectors > RF Coax Connectors > Coax Terminators



Impedance: 50  $\Omega$

Number of Positions: 1

Sealable: **Yes**

Circuit Application: **Signal**

Operating Temperature Range: -65 – 125  $^{\circ}\text{C}$  [-85 – 257  $^{\circ}\text{F}$ ]

## Features

### Product Type Features

Sealable	Yes
----------	-----

### Configuration Features

Number of Positions	1
---------------------	---

### Electrical Characteristics

Impedance	50 $\Omega$
-----------	-------------

### Body Features

Body Plating Material	Nickel
-----------------------	--------

### Contact Features

RF Connector Center Contact Plating Material	Silver over Copper
----------------------------------------------	--------------------

RF Connector Center Contact Material	Brass
--------------------------------------	-------

### Usage Conditions

Operating Temperature Range	-65 – 125 $^{\circ}\text{C}$ [-85 – 257 $^{\circ}\text{F}$ ]
-----------------------------	--------------------------------------------------------------

### Operation/Application

Circuit Application	Signal
---------------------	--------

## Other

Dielectric Material

PTFE

## Product Compliance

[For compliance documentation, visit the product page on TE.com>](#)

EU RoHS Directive 2011/65/EU

Compliant with Exemptions

EU ELV Directive 2000/53/EC

Compliant with Exemptions

China RoHS 2 Directive MIIT Order No 32, 2016

Restricted Materials Above Threshold

EU REACH Regulation (EC) No. 1907/2006

Current ECHA Candidate List: JAN 2021  
(211)  
Candidate List Declared Against: JUL 2017  
(174)  
SVHC > Threshold:  
Not Yet Reviewed

Halogen Content

Low Bromine/Chlorine - Br and Cl < 900  
ppm per homogenous material. Also BFR  
/CFR/PVC Free

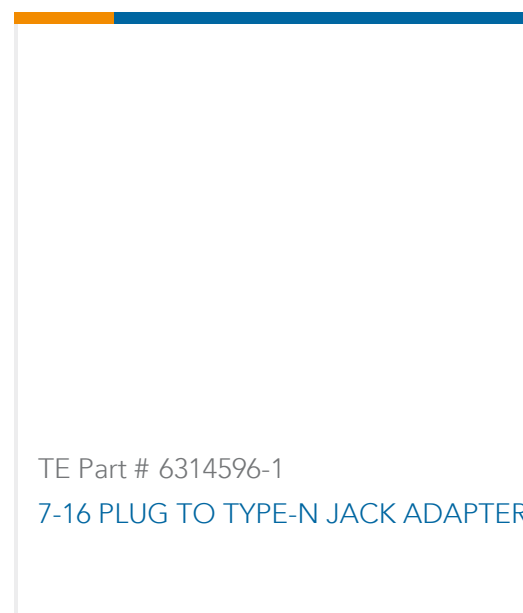
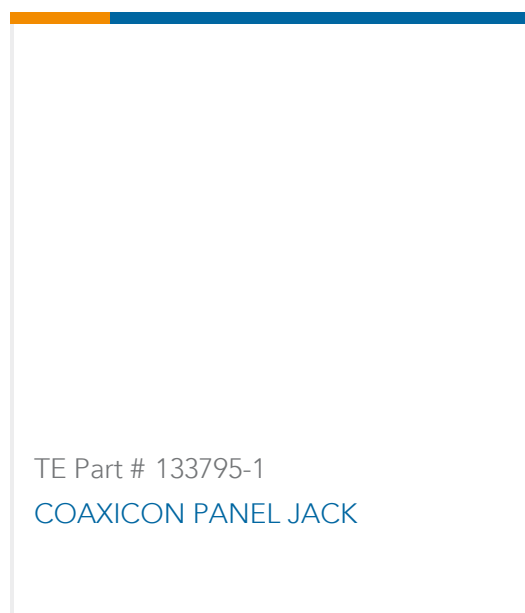
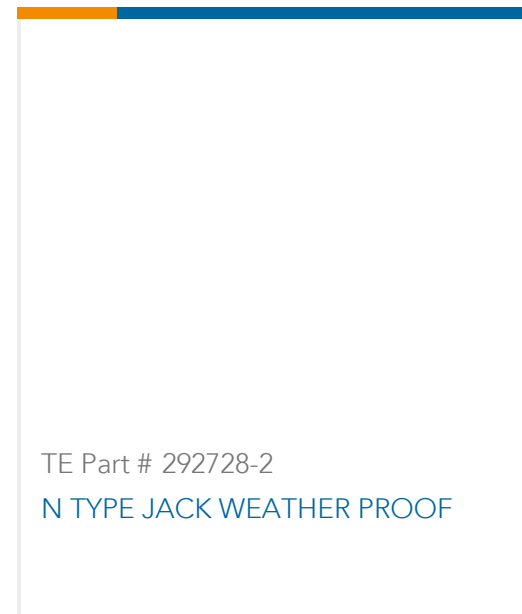
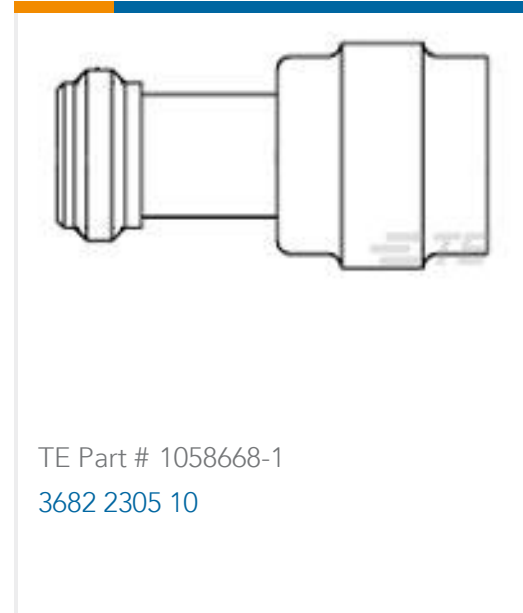
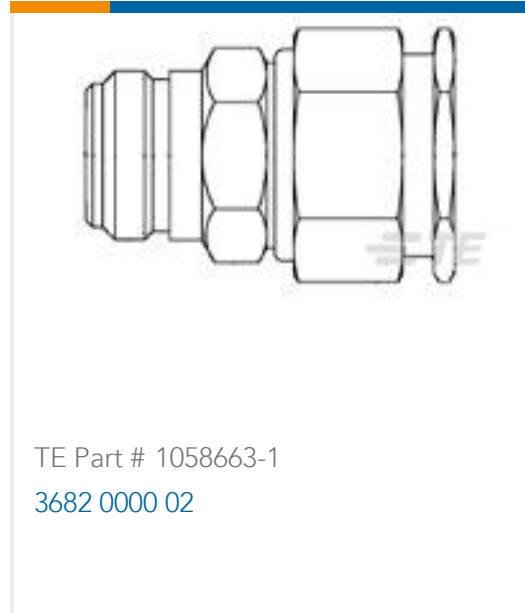
Solder Process Capability

Not applicable for solder process capability

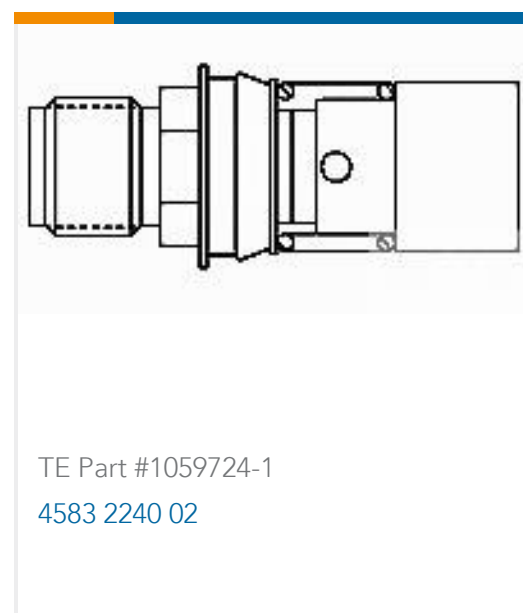
### Product Compliance Disclaimer

This information is provided based on reasonable inquiry of our suppliers and represents our current actual knowledge based on the information they provided. This information is subject to change. The part numbers that TE has identified as EU RoHS compliant have a maximum concentration of 0.1% by weight in homogenous materials for lead, hexavalent chromium, mercury, PBB, PBDE, DBP, BBP, DEHP, DIBP, and 0.01% for cadmium, or qualify for an exemption to these limits as defined in the Annexes of Directive 2011/65/EU (RoHS2). Finished electrical and electronic equipment products will be CE marked as required by Directive 2011/65/EU. Components may not be CE marked. Additionally, the part numbers that TE has identified as EU ELV compliant have a maximum concentration of 0.1% by weight in homogenous materials for lead, hexavalent chromium, and mercury, and 0.01% for cadmium, or qualify for an exemption to these limits as defined in the Annexes of Directive 2000/53/EC (ELV). Regarding the REACH Regulations, TE's information on SVHC in articles for this part number is still based on the European Chemical Agency (ECHA) 'Guidance on requirements for substances in articles' (Version: 2, April 2011), applying the 0.1% weight on weight concentration threshold at the finished product level. TE is aware of the European Court of Justice ruling of September 10th, 2015 also known as O5A (Once An Article Always An Article) stating that, in case of 'complex object', the threshold for a SVHC must be applied to both the product as a whole and simultaneously to each of the articles forming part of its composition. TE has evaluated this ruling based on the new ECHA "Guidance on requirements for substances in articles" (June 2017, version 4.0) and will be updating its statements accordingly.

## Compatible Parts



### Customers Also Bought





TE Part #1-1337415-0  
N Str Plg Hex 50Ohm Silver Pltd RG9B  
/U,



TE Part #1055065-1  
2088 0000 02



TE Part #ZPF000000000008516  
983-6S 08-03 PN-L



TE Part #1-1337624-0  
N Str Adp JJ 50Ohm Nickel Pltd



TE Part #1-1478421-0  
N Str Plg PS 50Ohm Silver Pltd RG9B  
/U, 2

## Documents

### Product Drawings

[CONNECTOR,N-TYPE,PLUG,TERMINAT](#)

English

### CAD Files

[3D PDF](#)

3D

Customer View Model

[ENG\\_CVM\\_CVM\\_6329823-1\\_A.2d\\_dxf.zip](#)

English

Customer View Model

[ENG\\_CVM\\_CVM\\_6329823-1\\_A.3d\\_igs.zip](#)

English

Customer View Model

[ENG\\_CVM\\_CVM\\_6329823-1\\_A.3d\\_stp.zip](#)

English

By downloading the CAD file I accept and agree to the [Terms and Conditions](#) of use.

### Datasheets & Catalog Pages

[1307191 RF Coax Products Catalog](#)

English

### Product Specifications

[Product Specification](#)

English

[Terminator, N Series, 50 Ohm](#)

English

6329823-1

Coax Terminators, 50  $\Omega$ , 1 Position, Sealable, Signal, Operating Temperature Range  
-65 – 125 °C [-85 – 257 °F]



## Product Specification

Japanese