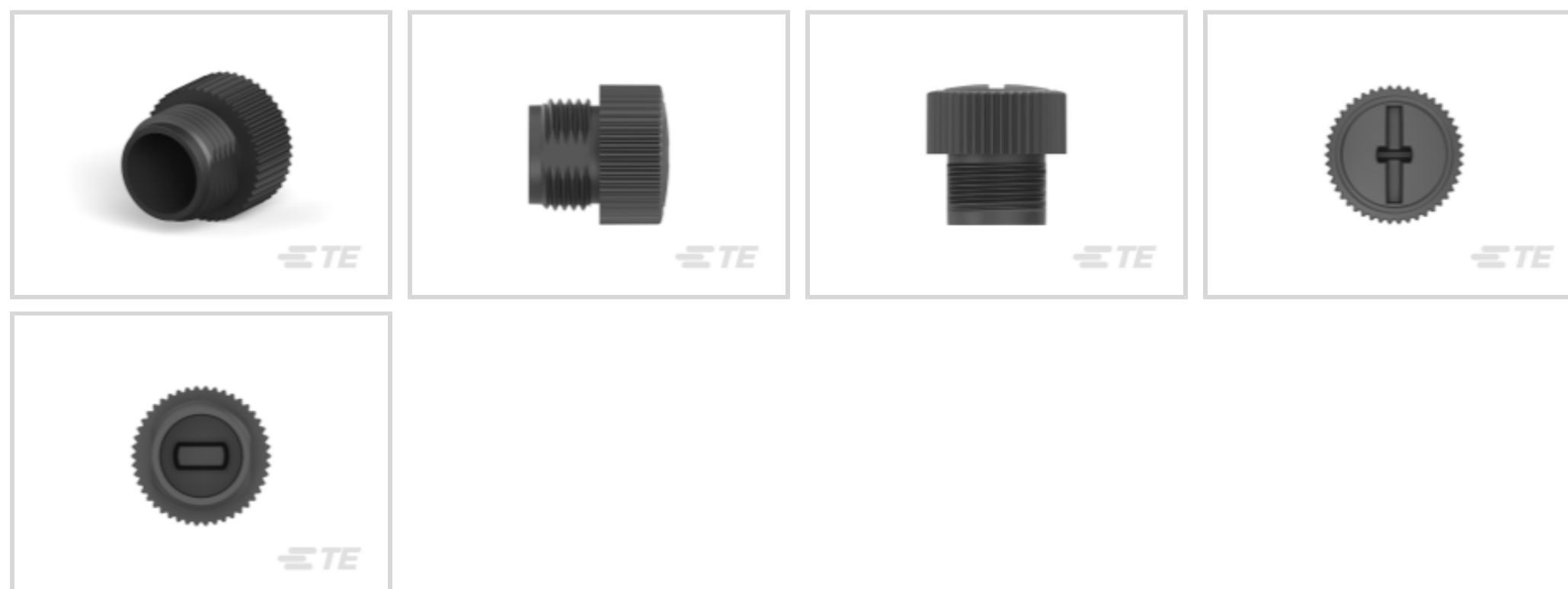




Connectors > Circular Connectors > Circular Connector Accessories > Circular Connector Caps & Covers



Protection & Strain Relief Accessory Type: **Protective Cap**

Compatible With Circular Connector Shell Size: **15**

Cap to Flange Attachment: **Threaded**

Sealable: **Yes**

Circuit Application: **Signal**

Features

Product Type Features

Connector Design	Circular
Product Type	Accessory
Connector Style	Receptacle
Protection & Strain Relief Accessory Type	Protective Cap
Sealable	Yes

Body Features

Color	Black
Cap Material	Nylon

Mechanical Attachment

Cap to Flange Attachment	Threaded
--------------------------	----------

Usage Conditions

Operating Temperature Range	-40 – 85 °C[-40 – 185 °F][-40 – 185 °F]
-----------------------------	-----------------------------------------

Operation/Application

Compatible With Circular Connector Shell Size	15
Circuit Application	Signal



Product Compliance

[For compliance documentation, visit the product page on TE.com>](#)

EU RoHS Directive 2011/65/EU	Compliant
EU ELV Directive 2000/53/EC	Compliant
China RoHS 2 Directive MIIT Order No 32, 2016	No Restricted Materials Above Threshold
EU REACH Regulation (EC) No. 1907/2006	Current ECHA Candidate List: JAN 2021 (211) Candidate List Declared Against: JUN 2020 (209) SVHC > Threshold: Not Yet Reviewed
Halogen Content	Low Halogen - Br, Cl, F, I < 900 ppm per homogenous material. Also BFR/CFR/PVC Free
Solder Process Capability	Not reviewed for solder process capability

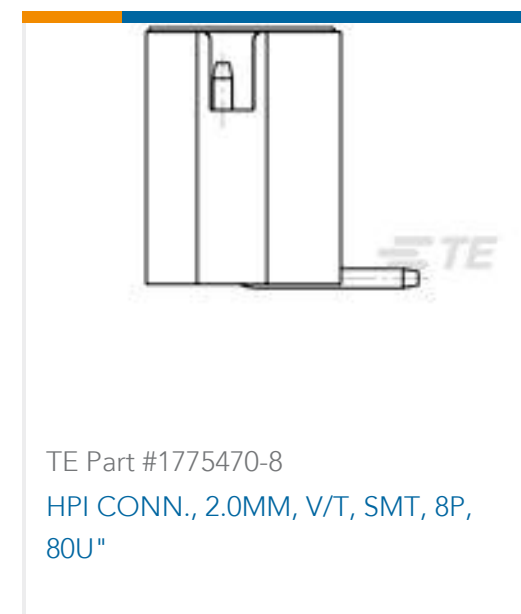
Product Compliance Disclaimer

This information is provided based on reasonable inquiry of our suppliers and represents our current actual knowledge based on the information they provided. This information is subject to change. The part numbers that TE has identified as EU RoHS compliant have a maximum concentration of 0.1% by weight in homogenous materials for lead, hexavalent chromium, mercury, PBB, PBDE, DBP, BBP, DEHP, DIBP, and 0.01% for cadmium, or qualify for an exemption to these limits as defined in the Annexes of Directive 2011/65/EU (RoHS2). Finished electrical and electronic equipment products will be CE marked as required by Directive 2011/65/EU. Components may not be CE marked. Additionally, the part numbers that TE has identified as EU ELV compliant have a maximum concentration of 0.1% by weight in homogenous materials for lead, hexavalent chromium, and mercury, and 0.01% for cadmium, or qualify for an exemption to these limits as defined in the Annexes of Directive 2000/53/EC (ELV). Regarding the REACH Regulation, the information TE provides on SVHC in articles for this part number is based on the latest European Chemicals Agency (ECHA) 'Guidance on requirements for substances in articles' posted at this URL: <https://echa.europa.eu/guidance-documents/guidance-on-reach>

Compatible Parts



Customers Also Bought



Documents

Product Drawings

[M12-DUST CAP-FEMALE CONN-IP67-W/O SLEEVE](#)

English

CAD Files

[3D PDF](#)

3D

Customer View Model

[ENG_CVM_CVM_2823064-1_A.2d_dxf.zip](#)

English

Customer View Model

[ENG_CVM_CVM_2823064-1_A.3d_igs.zip](#)

English

Customer View Model

[ENG_CVM_CVM_2823064-1_A.3d_stp.zip](#)

English

By downloading the CAD file I accept and agree to the [Terms and Conditions](#) of use.

Datasheets & Catalog Pages



M8 / M12 Connector System Catalog

English

Product Specifications

Product Specification

English

Product Environmental Compliance

Product Compliance

English

Product Compliance

English