



Connectors > Automotive Connectors > Seals & Cavity Plugs



Connector Seal Type: **Single Wire Seal (SWS)**

Cavity Diameter: **8.5 mm [.334 in]**

Accepts Cable Insulation Diameter Range: **2.1 mm [.083 in]**

Seal Material: **Silicone**

Resistance to Hydrocarbons: **Poor**

Features

Product Type Features

Connector Seal Type	Single Wire Seal (SWS)
---------------------	------------------------

Body Features

Seal Material	Silicone
Primary Product Color	Yellow

Dimensions

Cavity Diameter	8.5 mm[.334 in]
Accepts Cable Insulation Diameter Range	2.1 mm[.083 in]

Usage Conditions

Operating Temperature (Max)	65 °C, 70 °C, 75 °C, 80 °C, 85 °C, 90 °C, 100 °C, 105 °C, 110 °C, 120 °C, 125 °C, 130 °C [149 °F][158 °F][167 °F][176 °F][185 °F][194 °F][212 °F][221 °F][230 °F][248 °F][257 °F][266 °F]
Operating Temperature Range	-40 – 130 °C[-40 – 266 °F]

Industry Standards

UL Flammability Rating	None
------------------------	------

Other

Resistance to Hydrocarbons	Poor
Shore A Hardness	50
Contains Lubricant	Yes



Product Compliance

[For compliance documentation, visit the product page on TE.com>](#)

EU RoHS Directive 2011/65/EU	Compliant
EU ELV Directive 2000/53/EC	Compliant
China RoHS 2 Directive MIIT Order No 32, 2016	No Restricted Materials Above Threshold
EU REACH Regulation (EC) No. 1907/2006	Current ECHA Candidate List: JAN 2021 (211) Candidate List Declared Against: JUL 2017 (174) SVHC > Threshold: Not Yet Reviewed
Halogen Content	Low Halogen - Br, Cl, F, I < 900 ppm per homogenous material. Also BFR/CFR/PVC Free
Solder Process Capability	Not reviewed for solder process capability

Product Compliance Disclaimer

This information is provided based on reasonable inquiry of our suppliers and represents our current actual knowledge based on the information they provided. This information is subject to change. The part numbers that TE has identified as EU RoHS compliant have a maximum concentration of 0.1% by weight in homogenous materials for lead, hexavalent chromium, mercury, PBB, PBDE, DBP, BBP, DEHP, DIBP, and 0.01% for cadmium, or qualify for an exemption to these limits as defined in the Annexes of Directive 2011/65/EU (RoHS2). Finished electrical and electronic equipment products will be CE marked as required by Directive 2011/65/EU. Components may not be CE marked. Additionally, the part numbers that TE has identified as EU ELV compliant have a maximum concentration of 0.1% by weight in homogenous materials for lead, hexavalent chromium, and mercury, and 0.01% for cadmium, or qualify for an exemption to these limits as defined in the Annexes of Directive 2000/53/EC (ELV). Regarding the REACH Regulations, TE's information on SVHC in articles for this part number is still based on the European Chemical Agency (ECHA) 'Guidance on requirements for substances in articles' (Version: 2, April 2011), applying the 0.1% weight on weight concentration threshold at the finished product level. TE is aware of the European Court of Justice ruling of September 10th, 2015 also known as O5A (Once An Article Always An Article) stating that, in case of 'complex object', the threshold for a SVHC must be applied to both the product as a whole and simultaneously to each of the articles forming part of its composition. TE has evaluated this ruling based on the new ECHA "Guidance on requirements for substances in articles" (June 2017, version 4.0) and will be updating its statements accordingly.

Compatible Parts



TE Part # CAT-M4595-CH8172
MCON, CONNECTOR HOUSING



TE Part # CAT-AM705-T273
AMP MCP, RECEPTACLE AND TAB



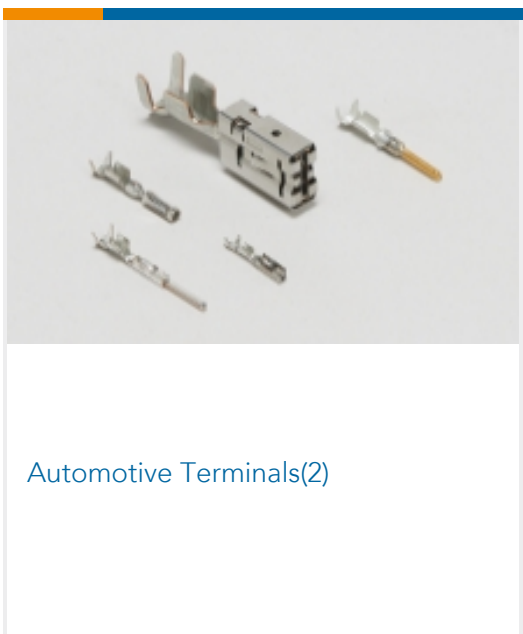
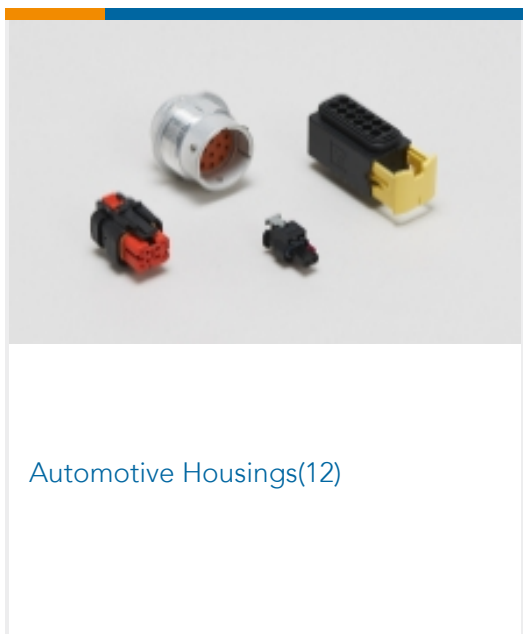
TE Part # CAT-H3399-CH8172
HEAVY DUTY SEALED CONNECTOR HOUSINGS



TE Part # 2-1564536-1
4POS, TAB5.8X0.8, TABHSG, ASSY, COD. B



Also in the Series | **AMP MCP 6.3/4.8K**



Also in the Series | **AMP MCP Connector System**



Automotive Connector Caps & Covers (24)



Automotive Connector Locks & Position Assurance (8)



Automotive Headers (29)



Automotive Housings (352)



Automotive Seals & Cavity Plugs (6)



Automotive Terminals (124)



Insertion & Extraction Tools (13)

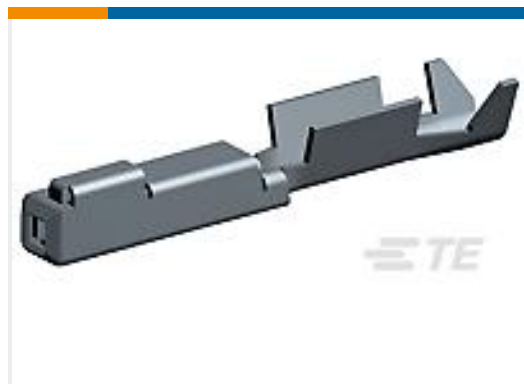


Other Automotive Connector Accessories (2)

Customers Also Bought



TE Part #1-962917-1
TAB 5.8x0.8 CONTACT CS SWS Sn



TE Part #1318332-1
.040 SEALED REC CONT



TE Part #1241412-3
AMP MCP, RECEPTACLE AND TAB



TE Part #1062-20-0377
SOC, SF, SIZE 20, 16-22, SLEWLESS, SN /SN



TE Part #1-1718484-4
CARRIER FOR RECEPTACLE INSERTS



TE Part #W6P-P004
WEDGE LOCK



TE Part #1452388-1
2 LOCKING DEVI.2



TE Part #1379100-1
COV+LEV MQS 18W 0DEG BLK



TE Part #1544316-3
BOUCHON BLANC

Documents



Product Drawings

[SINGLE WIRE SEAL,AMP MCP6.3/4.8K,YW](#)

English

CAD Files

[3D PDF](#)

3D

Customer View Model

[ENG_CVM_CVM_2177018-1_A_c-2177018-1-a.2d_dxf.zip](#)

English

Customer View Model

[ENG_CVM_CVM_2177018-1_A_c-2177018-1-a.3d_igs.zip](#)

English

Customer View Model

[ENG_CVM_CVM_2177018-1_A_c-2177018-1-a.3d_stp.zip](#)

English

By downloading the CAD file I accept and agree to the [Terms and Conditions](#) of use.

Datasheets & Catalog Pages

[HDSCS Catalog](#)

English

[CONNECTOR SELECTOR](#)

English