

2297813-3 ✓ ACTIVE

TE Internal #: 2297813-3

Other Hard Wired Boxes, Fuse Holder / Relay Holder, Mini ATM

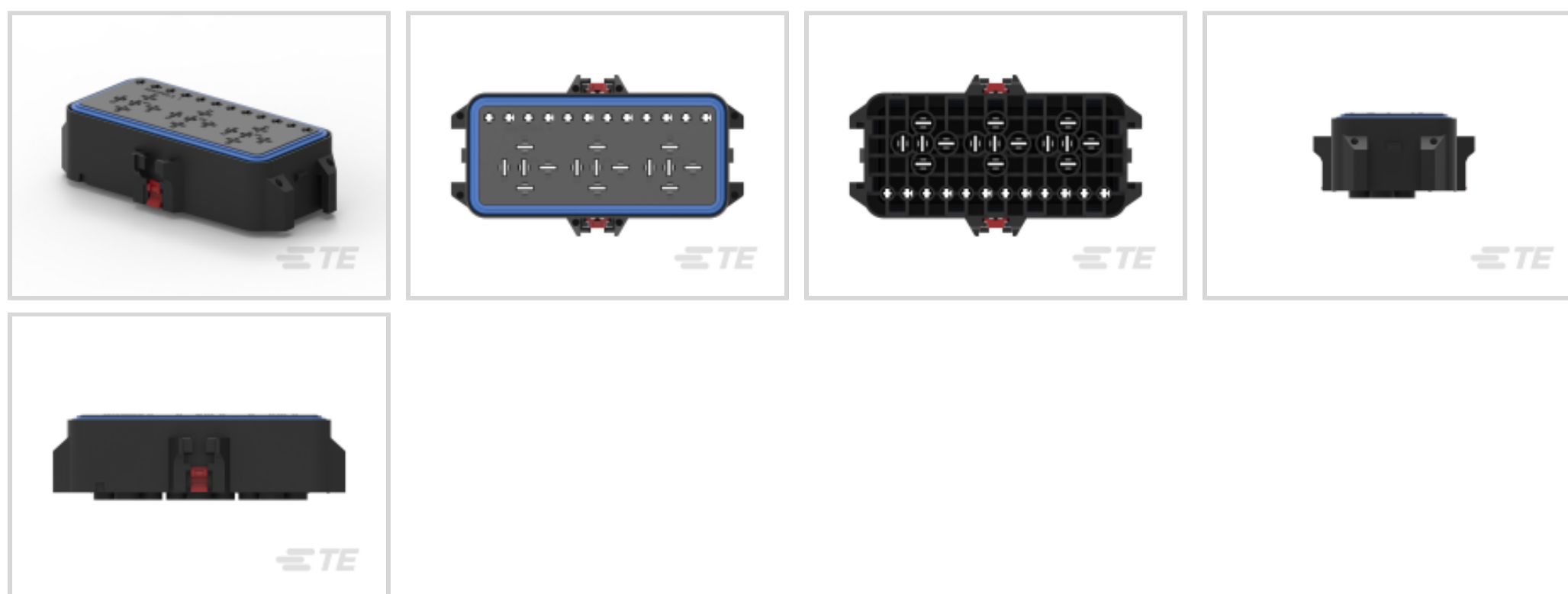
Fuse Fuse Type, 6 Fuses (Maximum), ISO Mini, 3 Relays (Maximum),

27 Position

[View on TE.com >](#)



Connectors > Automotive Connectors > Power Distribution Boxes > Other Hard Wired Boxes > SEALED FUSE & RELAY BOXES



Component Type: Fuse Holder, Relay Holder

Fuse Type: Mini ATM Fuse

Number of Fuses (Maximum): 6

Compatible With Relay Type: ISO Mini

Number of Relays (Maximum): 3

[All SEALED FUSE & RELAY BOXES \(7\)](#)

Features

Product Type Features

Component Type	Fuse Holder, Relay Holder
Fuse Type	Mini ATM Fuse
Compatible With Relay Type	ISO Mini
Sealable	Yes

Configuration Features

Number of Fuses (Maximum)	6
Number of Relays (Maximum)	3
Number of Positions	27

Electrical Characteristics

Nominal Voltage Architecture	12 V, 24 V
------------------------------	------------

Body Features

Secondary Locking	No
-------------------	----

Contact Features



Contact Current Rating (Max)	20 A, 40 A
------------------------------	------------

Housing Features

Centerline (Pitch)	7.8 mm, 8.13 mm [.307 in] [.32 in]
--------------------	------------------------------------

Usage Conditions

Operating Temperature (Max)	125 °C [257 °F]
-----------------------------	-----------------

Operating Temperature Range	-40 – 125 °C, -40 – 125 °C [-40 – 257 °F] [-40 – 257 °F]
-----------------------------	--

Industry Standards

IP Rating	IP67
-----------	------

Product Compliance

[For compliance documentation, visit the product page on TE.com>](#)

EU RoHS Directive 2011/65/EU	Compliant
------------------------------	-----------

EU ELV Directive 2000/53/EC	Compliant
-----------------------------	-----------

China RoHS 2 Directive MIIT Order No 32, 2016	No Restricted Materials Above Threshold
---	---

EU REACH Regulation (EC) No. 1907/2006	Current ECHA Candidate List: JAN 2021 (211) Candidate List Declared Against: JAN 2021 (211) Does not contain REACH SVHC
--	---

Halogen Content	Low Halogen - Br, Cl, F, I < 900 ppm per homogenous material. Also BFR/CFR/PVC Free
-----------------	---

Solder Process Capability	Not applicable for solder process capability
---------------------------	--

Product Compliance Disclaimer

This information is provided based on reasonable inquiry of our suppliers and represents our current actual knowledge based on the information they provided. This information is subject to change. The part numbers that TE has identified as EU RoHS compliant have a maximum concentration of 0.1% by weight in homogenous materials for lead, hexavalent chromium, mercury, PBB, PBDE, DBP, BBP, DEHP, DIBP, and 0.01% for cadmium, or qualify for an exemption to these limits as defined in the Annexes of Directive 2011/65/EU (RoHS2). Finished electrical and electronic equipment products will be CE marked as required by Directive 2011/65/EU. Components may not be CE marked. Additionally, the part numbers that TE has identified as EU ELV compliant have a maximum concentration of 0.1% by weight in homogenous materials for lead, hexavalent chromium, and mercury, and 0.01% for cadmium, or qualify for an exemption to these limits as defined in the Annexes of Directive 2000/53/EC (ELV). Regarding the REACH Regulation, the information TE provides on SVHC in articles for this part number is based on the latest European Chemicals Agency (ECHA) 'Guidance on requirements for substances in articles' posted at this URL: <https://echa.europa.eu/guidance-documents/guidance-on-reach>

Compatible Parts




TE Part # 1-1579007-3
EXTRACTION TOOL



TE Part # 1443996-4
COVER, 60 POS, W/O FUSE HLDR/NO EXT TEXT



TE Part # 2098164-4
Cover, 60 Pos, No Fuse Graphic or Holder



TE Part # 1443996-1
COVER, 60 POSITION



TE Part # 1443996-3
COVER, 60 POSITION - NO EXTERIOR TEXT



TE Part # 1719043-1
SINGLE WIRE SEAL, GREEN



TE Part # CAT-AM705-T273
AMP MCP, RECEPTACLE AND TAB



TE Part # 1-1579007-2
EXTRACTION TOOL



TE Part # 1443996-2
COVER, 60 POS, W/O FUSE HOLDER



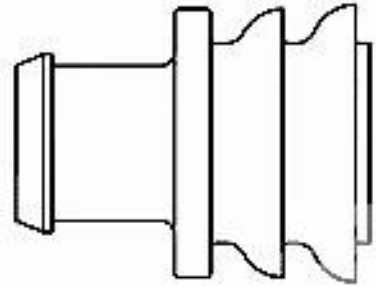
TE Part # 1-1904020-2
V23234A0001X032-EV-144



TE Part # 828922-1
2,5MM CAVITY PLUG FOR 5,4MM DI



TE Part # 828905-1
SINGLE-WIRE-SEAL(5MM HOLE)



TE Part # 282536-1
S.WAY SEAL F.JPT CONTACT 2.5MM



TE Part # 1443998-1
FUSE PULLER



TE Part # 2098164-1
Cover, 60 Position PDM



TE Part # 2098164-2
Cover, 60 Position PDM, No Fuse Holder

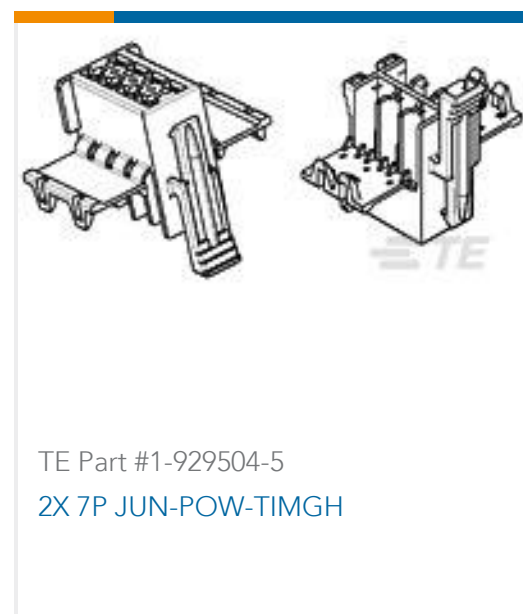


TE Part # 2098164-3
Cover, 60 Pos, No Top Side Fuse Graphic

Customers Also Bought



TE Part #1443997-2
BASE ASSEMBLY, 60 POSITION, BB



TE Part #1-929504-5
2X 7P JUN-POW-TIMGH



TE Part #1-2141846-4
CARRIER, RECEPTACLE HSG, 25POS, ASSY



TE Part #1-962917-2
TAB 5.8x0.8 CONTACT CS SWS Ag ASSY



TE Part #2-456407-2
CRIMPER, WIRE .100 "F"



TE Part #1443996-2
COVER, 60 POS, W/O FUSE HOLDER



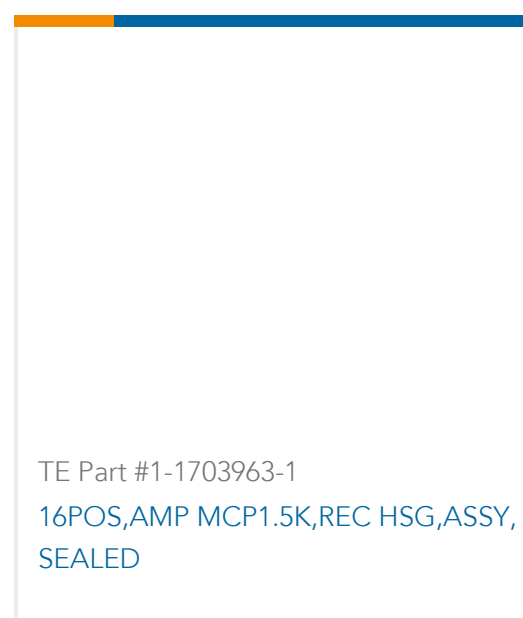
TE Part #185792-1
180 DEG CAP FOR CORRUGTD TUBE



TE Part #1633134-8
ANVIL, COMBINATION .110



TE Part #WW-18S
WEDGE LOCK, 18P, PLG, GRN, DTV



TE Part #1-1703963-1
16POS, AMP MCP1.5K, REC HSG, ASSY, SEALED

Documents

Product Drawings

[BASE ASSY, 27 POSN ISO FUSE AND RELAY](#)

English

CAD Files

[3D PDF](#)

3D

Customer View Model

[ENG_CVM_CVM_2297813-3_B.2d_dxf.zip](#)

English

Customer View Model

[ENG_CVM_CVM_2297813-3_B.3d_igs.zip](#)

English

Customer View Model

[ENG_CVM_CVM_2297813-3_B.3d_stp.zip](#)

English

By downloading the CAD file I accept and agree to the [Terms and Conditions](#) of use.

Datasheets & Catalog Pages



ICT Fuse and Relay Enclosures

English

Product Specifications

Application Specification

English

Product Environmental Compliance

Product Compliance

English

Product Compliance

English