

**RoHS  
Compliant**



## Features

- Extra low impedance with temperature range -55°C to +105°C and load life of 2000~5000 hours
- Applicable to SMT process.

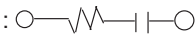
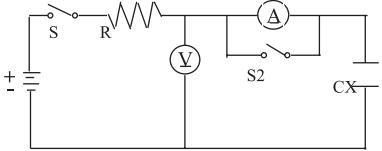
## Specifications

Items	Characteristics										
Capacitance Tolerance	± 20% (120Hz, 20°C)										
Operating Temperature Range	-55°C to +105°C										
Rated Voltage Range	6.3 to 50V DC										
Capacitance Range	0.1 to 1,000µF										
Leakage Current	For Φ4 ~ Φ10, after 2 minutes application of rated voltage, leakage current is not more than 0.01CV or 3(µA), whichever is greater. For Φ12.5 ~ Φ16, after 1 minutes application of rated voltage, leakage current is not more than 0.03CV or 4(µA), whichever is greater.										
Dissipation Factor (tan δ)	Measurement Frequency: 120Hz. Temperature: 20°C										
	Rated Voltage(V)	6.3	10	16	25	35	50	63	80	100	
	tan δ(Max)	Φ4 ~ Φ10	0.26	0.1	0.16	0.14	0.12	0.1	0.08	0.08	0.07
Stability at Low Temperature	Measurement Frequency: 120Hz.										
	Rated Voltage(V)	6.3	10	16	25	35	50	63	80	100	
	Impedance ratio	Z(-25°C)/Z(20°C)	2	2	2	2	2	2	2	2	2
		Z(-40°C)/Z(20°C)	3	3	3	3	3	3	3	3	3
ZT/Z20 (max)	Z(-55°C)/Z(20°C)	4	4	4	3	3	3	3	3	3	
Load Life	5000 hours,with application of rated voltage at 105°C										
	Capacitance Change	Within ±30% of Initial Value									
	tan δ	200% or less of Initial Specified Value									
	Leakage Current	Initial Specified Value or less									
Shelf Life	After leaving capacitors under no load at 105°C for 1000 hours, they meet the specified value for load life characteristics listed above.										
Resistance to Soldering Heat	After reflow soldering and restored at room temperature, they meet the characteristics requirements listed at right.		Capacitance Change			Within ± 10% of Initial Value					
			tan δ			Initial specified value or less					
			Leakage Current			Initial Specified Value or less					
Applicable Standards	JIS C-5141 and JIS C-5102										

## Scope

This specification applies to aluminium electrolytic capacitor, used in electronic equipment.

## Electrical Characteristics

Item	Test Method	Specification															
Rated Voltage		Voltage range, capacitance range, see specification of this series.															
Capacitance	Measuring frequency : 120 ±12Hz	Voltage range, capacitance range, see specification of this series.															
Dissipation factor	Measuring voltage : ≤0.5Vrms + 0.5 ~ 2VDC Measurement circuit : 																
Leakage current	DC leakage current shall be measured after 1~2 minutes application of the DC rated working voltage through the 1000Ω resistor at 20°C  R : 1000 ±100Ω      S1 : Switch A : DC current meter      S2 : Switch for protect of current meter V : DC voltage meter      CX : Testing capacitor	Dissipation factor leakage current, see specification of this series.															
Temperature characteristics	<table border="1"> <thead> <tr> <th>Step</th> <th>Temperature</th> <th>Storage Time</th> </tr> </thead> <tbody> <tr> <td>1</td> <td>20 ±2°C</td> <td>30 minutes</td> </tr> <tr> <td>2</td> <td>-40 ±3°C</td> <td>2 hours</td> </tr> <tr> <td>3</td> <td>20 ±2°C</td> <td>15 minutes</td> </tr> <tr> <td>4</td> <td>105 ±2°C</td> <td>2 hours</td> </tr> </tbody> </table> <p>Step 1. Measure the capacitance and impedance. (Z<sub>r0</sub>) ( Z , 20°C, 120Hz ±10%) Step 2. Measure the impedance at thermal balance after 2 hours. ( Z , 20°C, 120Hz ±10%) Step 4. Measure the capacitance and leakage current at thermal balance after 2 hours.</p>	Step	Temperature	Storage Time	1	20 ±2°C	30 minutes	2	-40 ±3°C	2 hours	3	20 ±2°C	15 minutes	4	105 ±2°C	2 hours	<p>Step 2. Impedance ratio (Z<sub>r</sub> / Z<sub>r0</sub>) less than specified value. Step 4. Capacitance change : within ± 20% of the initial measured value. Leakage current : Less than 10 times of initial specified value .</p>
Step	Temperature	Storage Time															
1	20 ±2°C	30 minutes															
2	-40 ±3°C	2 hours															
3	20 ±2°C	15 minutes															
4	105 ±2°C	2 hours															
Surge test	Rated surge voltage shall be applied (switch on) for 30 ±5 seconds and then shall be applied (switch off) with discharge for 5 ±0.5 min at room temperature . This cycle shall be repeated for 1000 cycles. Duration of one cycle is 6 ± 0.5 minutes .	Capacitance change : within ± 20% of the initial specified value. Dissipation factor : 2.7 less than 200% of the initial specified value. Leakage current : within initial specified value.															
Applicable Ripple Current	The maximum A.C. current having frequency of 100k Hz which can be applied to the capacitor at 105 ±2°C continuously. Peak voltage not to exceed rated D.C.voltage.																

**Mechanical Characteristics**

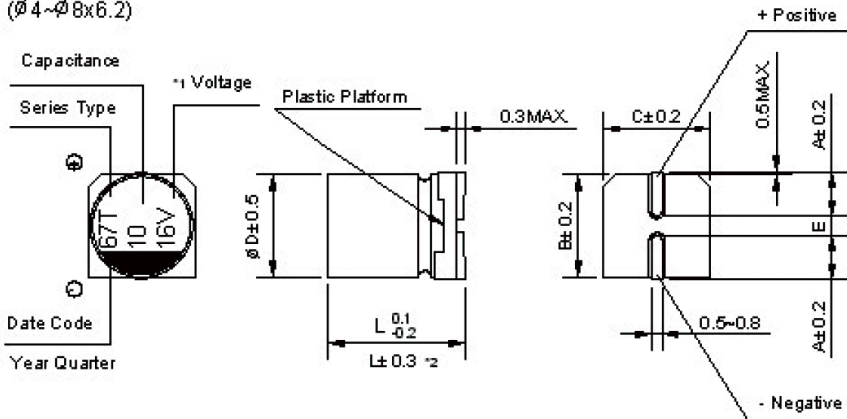
Item	Test Method	Specification																										
Lead strength	<p>(A) Tensile strength : wire lead terminal :</p> <table border="1" data-bbox="411 533 975 611"> <tr> <td>d (mm)</td> <td>≦0.45</td> <td>0.5 ~ 0.8</td> <td>0.8&lt;d ≦1.25</td> </tr> <tr> <td>Load (kg)</td> <td>0.51</td> <td>1</td> <td>2</td> </tr> </table> <p>Snap-in terminal</p> <table border="1" data-bbox="411 656 810 734"> <tr> <td>d (mm)</td> <td>snap-in terminal</td> </tr> <tr> <td>Load (kg)</td> <td>2</td> </tr> </table> <p>The capacitor shall withstand the constant tensile force specified between the body and each lead for 10 seconds without damage either mechanical or electrical.</p> <p>(B) Bending strength : wire lead terminal :</p> <table border="1" data-bbox="411 887 975 965"> <tr> <td>d (mm)</td> <td>≦0.45</td> <td>0.5 ~ 0.8</td> <td>0.8&lt;d ≦1.25</td> </tr> <tr> <td>Load (kg)</td> <td>0.25</td> <td>0.51</td> <td>1</td> </tr> </table> <p>Snap-in terminal</p> <table border="1" data-bbox="411 1014 975 1133"> <tr> <td>Cross section area of terminal</td> <td>Force (kg)</td> </tr> <tr> <td>0.5&lt;S≦1</td> <td>1</td> </tr> <tr> <td>S&gt;1</td> <td>2.5</td> </tr> </table> <p>With the capacitor in a vertical position apply the load specified axially to each lead. The capacitor shall be rotated slowly from the vertical to the horizontal position, back to the vertical position. The 90° in the opposite direction and back the original position. Performance of capacitor shall not have changed and leads shall be undamaged</p>	d (mm)	≦0.45	0.5 ~ 0.8	0.8<d ≦1.25	Load (kg)	0.51	1	2	d (mm)	snap-in terminal	Load (kg)	2	d (mm)	≦0.45	0.5 ~ 0.8	0.8<d ≦1.25	Load (kg)	0.25	0.51	1	Cross section area of terminal	Force (kg)	0.5<S≦1	1	S>1	2.5	<p>When the capacitance is measured, there shall be no intermittent contacts, or open- or short-circuiting. There shall be no such mechanical damage as terminal damage etc.</p>
d (mm)	≦0.45	0.5 ~ 0.8	0.8<d ≦1.25																									
Load (kg)	0.51	1	2																									
d (mm)	snap-in terminal																											
Load (kg)	2																											
d (mm)	≦0.45	0.5 ~ 0.8	0.8<d ≦1.25																									
Load (kg)	0.25	0.51	1																									
Cross section area of terminal	Force (kg)																											
0.5<S≦1	1																											
S>1	2.5																											
Vibration resistance	<p>The frequency of the vibration shall vary uniformly within the range 10 to 55 Hz with the amplitude of 1.5mm, completing the cycle in the interval of one minute. The capacitor shall be securely mounted by its leads with hold the body of capacitor. The capacitor shall be vibrated in three mutually perpendicular directions for a period of 2 hours in each direction .</p>	<p>Capacitance : no unsteady. Appearance : no abnormal. Capacitance change : within ± 5% of initial measured value .</p>																										
Solderability	<p>The leads are dipped in the solder bath of Sn at 260 ±5°C for 2 ± 0.5 seconds . The dipping depth should be set at 1.5 ~ 2mm .</p>	<p>The solder alloy shall cover the 95% or more of the dipped lead's area .</p>																										

## MCVFZ Series

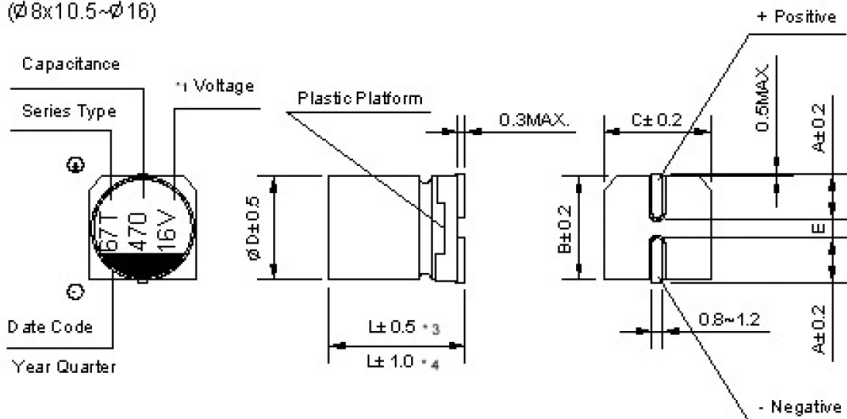
### Dimensions & Marking:

#### Chip Type

( $\Phi 4 \sim \Phi 8 \times 6.2$ )



( $\Phi 8 \times 10.5 \sim \Phi 16$ )



1 Voltage mark [6V] represents 6.3V for  $\Phi 4 \sim \Phi 10$ ; \*2 [ $L \pm 0.5$ ] is applicable to  $\Phi 8 \times 10.5 \sim \Phi 10$ ; \*3 [ $L \pm 1.0$ ] is applicable to  $\Phi 12.5 \sim \Phi 16$ .

Re: Date code and series type — 1st digit for Year; 2nd digit for Quarter, 4 quarter codes in one year are 1, 4, 7, 0;

3rd character for Series; MCFZ Series = F.

D × L	$\Phi 4 \times 5.8$	$\Phi 5 \times 5.8$	$\Phi 6.3 \times 5.8$	$\Phi 6.3 \times 7.7$	$\Phi 8 \times 6.2$	$\Phi 8 \times 10.5$
A	1.8	2.1	2.4	2.4	3.3	2.9
B	4.3	5.3	6.6	6.6	8.3	8.3
C	4.3	5.3	6.6	6.6	8.3	8.3
E ± 0.2	1.0	1.3	2.2	2.2	2.2	3.1
L	5.8	5.8	5.8	7.7	6.2	10.5

D × L	$\Phi 10 \times 10.5$	$\Phi 10 \times 13.5$	$\Phi 12.5 \times 13.5$	$\Phi 12.5 \times 16$	$\Phi 16 \times 16.5$
A	3.2	3.2	4.7	4.7	5.5
B	10.3	10.3	12.8	12.8	16.3
C	10.3	10.3	12.8	12.8	16.3
E ± 0.2	4.4	4.4	4.4	4.4	6.7
L	10.5	13.5	13.5	16.0	16.5

Dimensions : Millimetres

Newark.com/multicomp-pro  
Farnell.com/multicomp-pro  
Element14.com/multicomp-pro

## Standard size & Maximum permissible ripple current & Impedance

WV Cap. (µF)		6.3			10			16		
		0J			1A			1C		
10	100							4×5.8	1.35	90
15	150							4×5.8	1.35	90
22	220	4×5.8	1.35	90	4×5.8	1.35	90	5×5.8 (4×5.8)	0.70 (1.35)	160 (90)
33	330	5×5.8 (4×5.8)	0.70 (1.35)	160 (90)	5×5.8 (4×5.8)	0.70 (1.35)	160 (90)	6.3×5.8 (5×5.8)	0.36 (0.70)	240 (160)
47	470	5×5.8 (4×5.8)	0.70 (1.35)	160 (90)	6.3×5.8 (5×5.8)	0.36 (0.70)	240 (160)	6.3×5.8 (5×5.8)	0.36 (0.70)	240 (160)
56	560	5×5.8	0.70	160	6.3×5.8	0.36	240	6.3×5.8	0.36	240
68	680	6.3×5.8 (5×5.8)	0.36 (0.70)	240 (160)	6.3×5.8	0.36	240	6.3×7.7 (6.3×5.8)	0.26 (0.36)	300 (240)
100	101	6.3×5.8 (5×5.8)	0.36 (0.70)	240 (160)	6.3×7.7 (6.3×5.8)	0.26 (0.36)	300 (240)	6.3×7.7 (6.3×5.8)	0.26 (0.36)	300 (240)
150	151	6.3×5.8	0.36	240	6.3×7.7	0.26	300	6.3×7.7	0.26	300
220	221	6.3×7.7 (6.3×5.8) (8×6.2)	0.26 (0.36) (0.26)	300 (240) (300)	6.3×7.7 (8×6.2)	0.26 (0.26)	300 (300)	8×10.5 (6.3×7.7)	0.16 (0.26)	600 (300)
330	331	6.3×7.7 (8×6.2)	0.26 (0.26)	300 (300)	10×10.5 (8×10.5)	0.08 (0.16)	850 (600)	10×10.5 (8×10.5)	0.08 (0.16)	850 (600)
470	471	8×10.5	0.16	600	10×10.5 (8×10.5)	0.08 (0.16)	850 (600)	10×10.5 (8×10.5)	0.08 (0.16)	850 (600)
680	681	10×10.5 (8×10.5)	0.08 (0.16)	850 (600)	10×10.5	0.08	850	10×13.5 (10×10.5)	0.07 (0.08)	950 (850)
1000	102	10×10.5 (8×10.5)	0.08 (0.16)	850 (600)	10×13.5 (10×10.5)	0.07 (0.08)	950 (850)	16×16.5 (12.5×16) (12.5×13.5)	0.05 (0.055) (0.06)	1450 (1200) (1100)
1500	152	10×13.5 (10×10.5)	0.07 (0.08)	950 (850)	12.5×13.5	0.06	1100	16×16.5	0.05	1450
2200	222	12.5×13.5	0.06	1100	12.5×16	0.055	1200	-	-	-
3300	332	12.5×16	0.055	1200	16×16.5	0.05	1450	Case Size	Impedance	Ripple Current
4700	472	16×16.5	0.05	1450						

Maximum Impedance (Ω) at 20°C 100kHz, Ripple Current (mA rms) at 105°C 100kHz

## Standard size & Maximum permissible ripple current & Impedance

WV Cap. (µF)		25			35			50		
		1E			1V			1H		
4.7	4R7				4×5.8	1.35	90	5×5.8 (4×5.8)	1.52 (2.9)	85 (60)
10	100	4×5.8	1.35	90	5×5.8 (4×5.8)	0.70 (1.35)	160 (90)	6.3×5.8 (5×5.8)	0.88 (1.52)	165 (85)
15	150	5×5.8	0.70	160	5×5.8	0.70	160	6.3×5.8	0.88	165
22	220	6.3×5.8 (5×5.8)	0.36 (0.70)	240 (160)	6.3×5.8 (5×5.8)	0.36 (0.70)	240 (160)	6.3×7.7 (6.3×5.8) (8×6.2)	0.68 (0.88) (0.68)	195 (165) (195)
33	330	6.3×5.8 (5×5.8)	0.36 (0.70)	240 (160)	6.3×5.8 (8×6.2)	0.36 (0.26)	240 (300)	6.3×7.7 (8×6.2)	0.68 (0.68)	195 (195)
47	470	6.3×7.7 (6.3×5.8) (8×6.2)	0.26 (0.36) (0.26)	300 (240) (300)	6.3×7.7 (6.3×5.8) (8×6.2)	0.26 (0.36) (0.26)	300 (240) (300)	6.3×7.7 (8×6.2)	0.68 (0.68)	195 (195)
56	560	6.3×7.7 (6.3×5.8)	0.26 (0.36)	300 (240)	6.3×7.7	0.26	300	8×10.5	0.34	350
68	680	6.3×7.7	0.26	300	6.3×7.7	0.26	300	8×10.5	0.34	350
100	101	6.3×7.7 (8×6.2)	0.26 (0.26)	300 (300)	8×10.5	0.16	600	10×10.5 (8×10.5)	0.18 (0.34)	670 (350)
150	151	8×10.5 6.3×7.7)	0.16 0.26)	600 (300)	10×10.5 (8×10.5)	0.08 (0.16)	850 (600)	10×10.5	0.18	670
220	221	8×10.5	0.16	600	10×10.5 (8×10.5)	0.08 (0.16)	850 (600)	10×13.5 (10×10.5)	0.14 (0.18)	780 (670)
330	331	10×10.5 (8×10.5)	0.08 (0.16)	850 (600)	10×10.5	0.08	850	12.5×13.5	0.12	900
470	471	10×13.5 10×10.5)	0.07 (0.08)	950 (850)	12.5×13.5 (10×13.5)	0.07 (0.07)	820 (950)	16×16.5 (12.5×16)	0.08 (0.10)	1250 (1050)
680	681	12.5×13.5	0.06	1100	12.5×16	0.055	1200	-	-	-
1000	102	16×16.5 (12.5×16)	0.05 (0.055)	1450 (1200)	16×16.5	0.05	1450	Case Size	Imped- ance	Ripple Current
1500	152	16×16.5	0.05	1450	-	-	-			

Maximum Impedance (Ω) at 20°C 100kHz, Ripple Current (mA rms) at 105°C 100kHz

## Standard size & Maximum permissible ripple current & Impedance

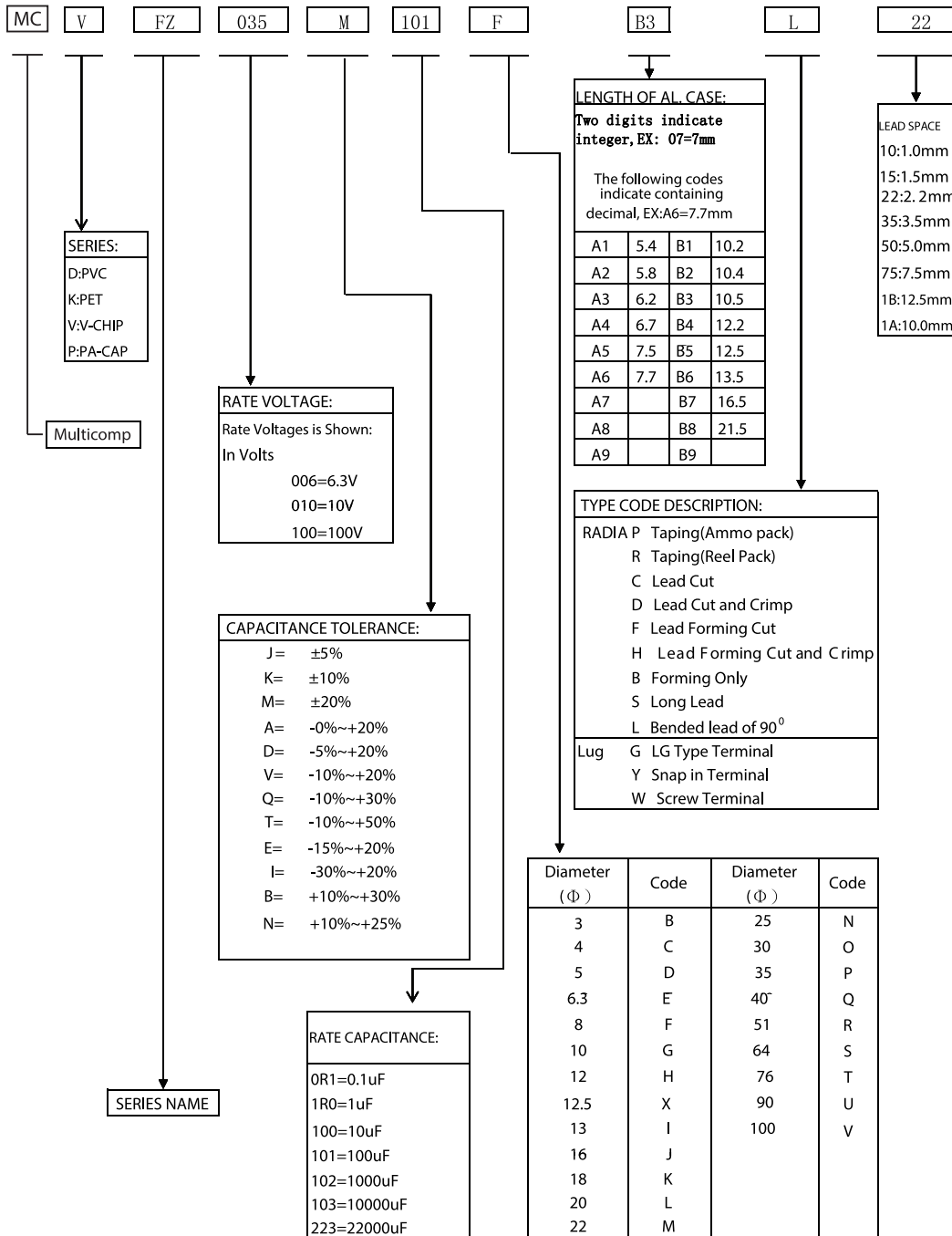
WV Cap. (µF)		63			80			100		
		1J			1K			2A		
3.3	3R3	-	-	-	5×5.8	5	25	-	-	-
4.7	4R7	5×5.8	3.0	50	6.3×5.8	3	40	-	-	-
10	100	6.3×7.7 (6.3×5.8)	1.2 (1.5)	120 (80)	6.3×7.7 (8×6.2)	2.4 (2.4)	60 (60)	8×10.5	1.3	130
22	220	(8×10.5 (6.3×7.7) (8×6.2)	0.65 (1.2) (1.2)	250 (120) (120)	8×10.5	1.3	130	10×10.5 (8×10.5)	0.7 (1.3)	200 (130)
33	330	8×10.5	0.65	250	8×10.5	1.3	130	10×10.5	0.7	200
47	470	8×10.5	0.65	250	10×10.5	0.7	200	12.5×13.5 (10×13.5)	0.32 (0.60)	500 (250)
68	680	12.5×13.5 (8×10.5)	0.16 (0.65)	800 (250)	12.5×13.5	0.32	500		0.32	500
100	101	12.5×13.5 (10×10.5)	0.16 (0.35)	800 (400)	12.5×13.5	0.32	500	16×16.5 (12.5×16)	0.17 (0.26)	795 (550)
150	151	12.5×13.5 (10×13.5)	0.16 (0.25)	800 (650)	12.5×13.5	0.32	500	-	-	-
220	221	12.5×13.5 (10×13.5)	0.16 (0.25)	800 (650)	12.5×16	0.26	550	Case Size	Impedance	Ripple Current
330	331	16×16.5	0.082	1400	16×16.5	0.17	795			

Maximum Impedance (Ω) at 20°C 100kHz, Ripple Current (mA rms) at 105°C 100kHz

## Frequency Correction Factor of Rated Ripple Current

Frequency Capacitance (µF)		50Hz	120Hz	300Hz	1kHz	10kHz~
Φ4 ~ Φ10	4.7 ~ 68	0.35	0.5	0.64	0.83	1
	100 ~ 1500	0.4	0.55	0.7	0.85	1
Φ12.5 ~ Φ16	~ 68	0.4	0.55	0.7	0.85	1
	100 ~ 680	0.45	0.65	0.8	0.9	1
	1000 ~ 4700	0.65	0.85	0.95	1	1

## Explanation of parts numbers



**Important Notice :** This data sheet and its contents (the "Information") belong to the members of the AVNET group of companies (the "Group") or are licensed to it. No licence is granted for the use of it other than for information purposes in connection with the products to which it relates. No licence of any intellectual property rights is granted. The Information is subject to change without notice and replaces all data sheets previously supplied. The Information supplied is believed to be accurate but the Group assumes no responsibility for its accuracy or completeness, any error in or omission from it or for any use made of it. Users of this data sheet should check for themselves the Information and the suitability of the products for their purpose and not make any assumptions based on information included or omitted. Liability for loss or damage resulting from any reliance on the Information or use of it (including liability resulting from negligence or where the Group was aware of the possibility of such loss or damage arising) is excluded. This will not operate to limit or restrict the Group's liability for death or personal injury resulting from its negligence. Multicomp Pro is the registered trademark of Premier Farnell Limited 2019.