

## UK Telephone Keystone Socket



UK telephone keystone sockets KGB1 (PSTN Master) and KGB3 (Slave/Secondary)

These UK telephone keystone sockets are designed to enable use of UK voice in any of our many keystone housings, panels and adaptors; for any situations where UK voice is required and a line jack unit is not satisfactory.

### **Features**

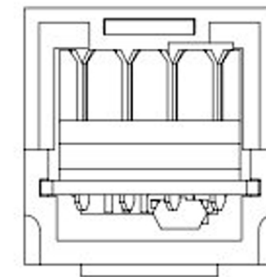
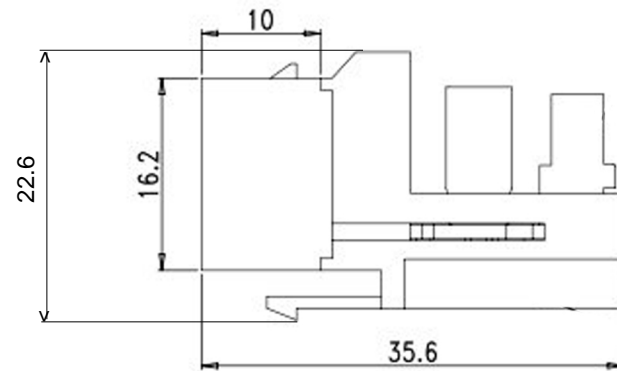
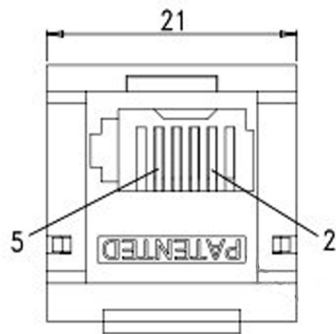
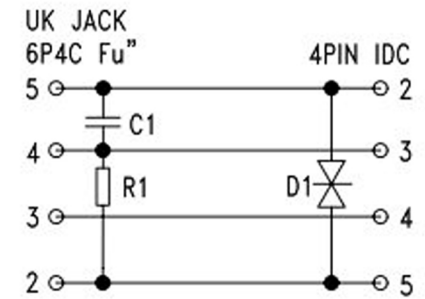
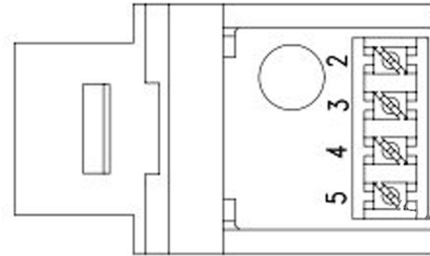
- PSTN master and slave/secondary versions (PSTN can also be used for PABX)
- Punch down blocks suitable for 110 or LSA+ termination
- Perfect for use in multimedia environment
- Black and white versions available to match panel or faceplate colour
- Standard format keystone fits a wide range of panels, adaptors and faceplates
- Available as part of our innovative new panel mount and D UNIVERSAL ranges

### **Specifications**

- Dimensions (LxWxH): approx. 35.6x21x22.6mm
- Weight: approx. 8g
- Colour: Black or white
- Materials: ABS UL94V-0
- Termination: 4 x gold plated contacts x LSA+/110 dual IDC
- Packaging: in individual polythene bag then in packs of 20

ROHS Compliant

Code: **KGB1**



ROHS Compliant

Code: **KGB3**

