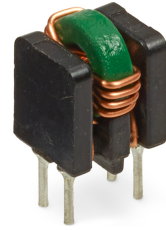
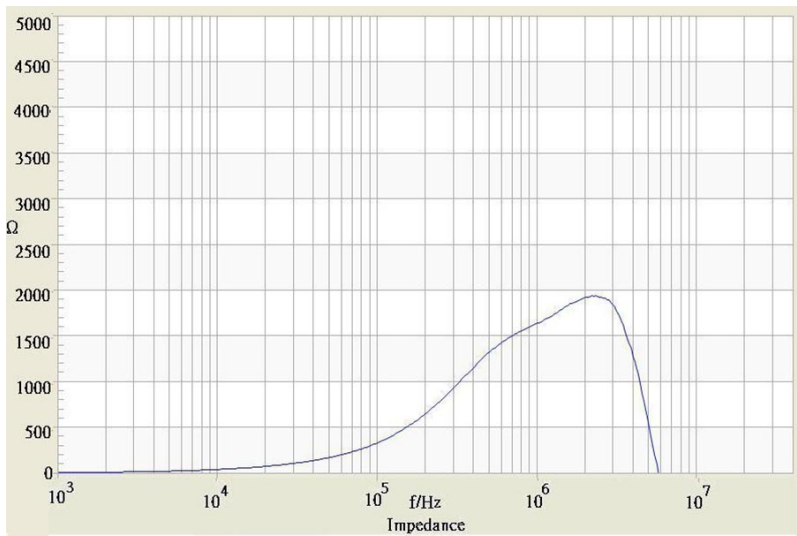


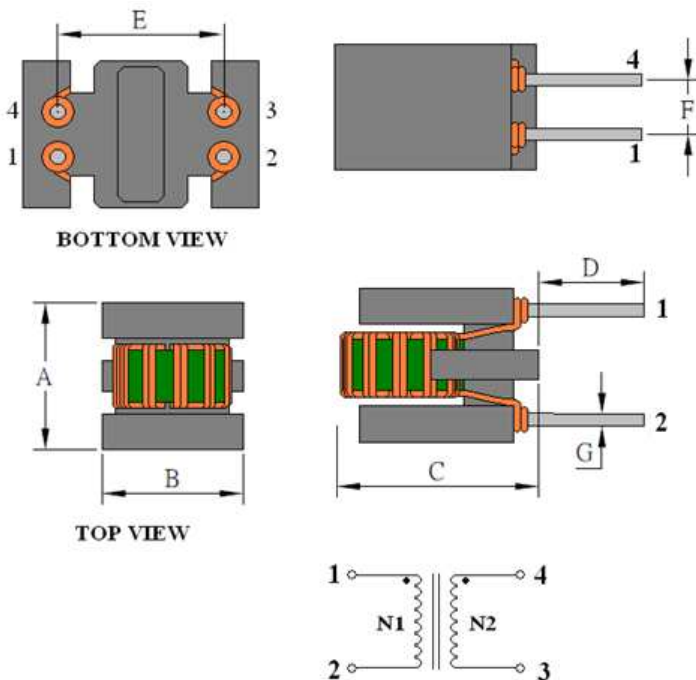
Order Code	TCK-119
Inductance (each winding)	419 $\mu\text{H} \pm 25\%$ (at 10 kHz / 50 mV)
Impedance (DCR)	117 m Ω max.
Rated Current	0.78 A max.
Rated Voltage	500 VDC max. (between windings)
Operating Temperature	-40°C to +105°C



Impedance Curve



Outline Dimensions



Dimensions [mm]

Dimension	Value
A	7.5 max.
B	8.5 max.
C	10.5 max.
D	3.5 ± 1.0
E	5.08 ± 0.5
F	2.54 ± 0.3
G	$\varnothing 0.6 \pm 0.1$