

34148 ✓ ACTIVE

PLASTI-GRIP | PLASTI-GRIP

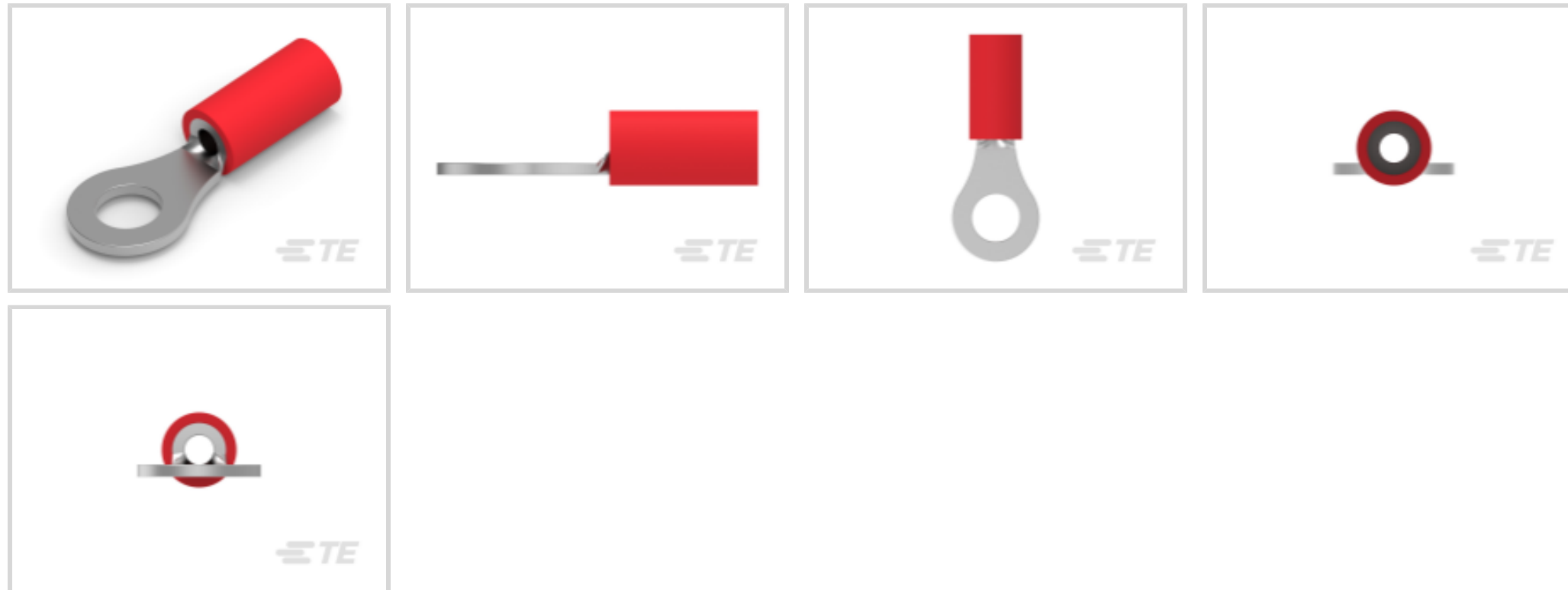
TE Internal #: 34148

PLASTI-GRIP, Ring Terminals & Spade Terminals, Ring Tongue, 22 – 16AWG Wire Size, .26 – 1.65mm² Wire Size, 509 – 3260CMA Wire Size, M4 / #8

[View on TE.com >](#)



Terminals & Splices > Ring Terminals & Spade Terminals



Terminal & Splice Type: **Ring Tongue**

Wire Size: **509 – 3260 CMA**

Ring & Spade Stud Size: **#8, M4**

Features

Product Type Features

| | |
|------------------------------|--------------------|
| Shape Description | RING-043 |
| Ring & Spade Stud Size | #8, M4 |
| Ring & Spade Barrel Type | Closed Barrel |
| Sealable | No |
| Insulated | Yes |
| Ring & Spade Wire/Cable Type | Regular Wire |
| Support Style | Insulation Support |

Configuration Features

| | |
|-----------------|----------|
| Number of Holes | 1 |
| Terminal Angle | Straight |

Electrical Characteristics

| | |
|---------------|-------|
| Voltage (Max) | 600 V |
|---------------|-------|

Body Features

| | |
|------------------|---------|
| Inspection Slot | No |
| Weight per Piece | 2.237 g |



| | |
|-------------------------------|-------------|
| Ring & Spade Plating Material | Copper, Tin |
|-------------------------------|-------------|

Contact Features

| | |
|------------------------|-------------|
| Terminal & Splice Type | Ring Tongue |
|------------------------|-------------|

| | |
|-----------------------------------|--------|
| Ring & Spade Terminal Orientation | Offset |
|-----------------------------------|--------|

Mechanical Attachment

| | |
|-------------------------|------|
| Wire Insulation Support | With |
|-------------------------|------|

Dimensions

| | |
|-----------|----------------|
| Wire Size | 509 – 3260 CMA |
|-----------|----------------|

| | |
|---------------|------------------|
| Stud Diameter | 4.74 mm[.171 in] |
|---------------|------------------|

| | |
|------------------|-----------------|
| Tongue Thickness | .79 mm[.031 in] |
|------------------|-----------------|

| | |
|-----------------------------|------------------|
| Ring & Spade Overall Length | 21.74 mm[.86 in] |
|-----------------------------|------------------|

| | |
|---|-----------------|
| Ring & Spade Wire Insulation Diameter (Max) | 3.56 mm[.14 in] |
|---|-----------------|

| | |
|---------------------------------------|-------------------------------|
| Ring & Spade Wire Insulation Diameter | 2.67 – 3.56 mm[.105 – .14 in] |
|---------------------------------------|-------------------------------|

Usage Conditions

| | |
|------------------------|---------------------|
| Insulation Requirement | Partially Insulated |
|------------------------|---------------------|

| | |
|-----------------------------|----------------|
| Operating Temperature Range | 105 °C[221 °F] |
|-----------------------------|----------------|

Operation/Application

| | |
|------------|----|
| Heavy Duty | No |
|------------|----|

Industry Standards

| | |
|----------------------|----|
| Government Qualified | No |
|----------------------|----|

Packaging Features

| | |
|--------------------|------|
| Packaging Quantity | 1000 |
|--------------------|------|

| | |
|-------------------------------|-------------|
| Ring & Spade Packaging Method | Loose Piece |
|-------------------------------|-------------|

Product Compliance

[For compliance documentation, visit the product page on TE.com>](#)

| | |
|------------------------------|-----------|
| EU RoHS Directive 2011/65/EU | Compliant |
|------------------------------|-----------|

| | |
|-----------------------------|-----------|
| EU ELV Directive 2000/53/EC | Compliant |
|-----------------------------|-----------|

| | |
|---|---|
| China RoHS 2 Directive MIIT Order No 32, 2016 | No Restricted Materials Above Threshold |
|---|---|

| | |
|--|--|
| EU REACH Regulation (EC) No. 1907/2006 | Current ECHA Candidate List: JAN 2021 (211) Candidate List Declared Against: JAN 2021 (211) |
|--|--|

Does not contain REACH SVHC

Halogen Content

Not Low Halogen - contains Br or Cl > 900 ppm.

Solder Process Capability

Not applicable for solder process capability

Product Compliance Disclaimer

This information is provided based on reasonable inquiry of our suppliers and represents our current actual knowledge based on the information they provided. This information is subject to change. The part numbers that TE has identified as EU RoHS compliant have a maximum concentration of 0.1% by weight in homogenous materials for lead, hexavalent chromium, mercury, PBB, PBDE, DBP, BBP, DEHP, DIBP, and 0.01% for cadmium, or qualify for an exemption to these limits as defined in the Annexes of Directive 2011/65/EU (RoHS2). Finished electrical and electronic equipment products will be CE marked as required by Directive 2011/65/EU. Components may not be CE marked. Additionally, the part numbers that TE has identified as EU ELV compliant have a maximum concentration of 0.1% by weight in homogenous materials for lead, hexavalent chromium, and mercury, and 0.01% for cadmium, or qualify for an exemption to these limits as defined in the Annexes of Directive 2000/53/EC (ELV). Regarding the REACH Regulation, the information TE provides on SVHC in articles for this part number is based on the latest European Chemicals Agency (ECHA) 'Guidance on requirements for substances in articles' posted at this URL: <https://echa.europa.eu/guidance-documents/guidance-on-reach>

Compatible Parts



TE Part # 59170
T-HEAD PIDG SH 26-14 ASSY



REPRESENTATION ONLY

TE Part # 47386
DAHT PG PIDG 26-16 ASSY



REPRESENTATION ONLY

TE Part # 47386-4
DAHT PG PIDG 26-16 ASSY



TE Part # 59250
T-HEAD PIDG 26-14 ASSY



TE Part # 59824-1
TETRA-CRIMP PIDG PG FASTON 22-10 ASSY



TE Part # 58433-3
PRO CR ASSY, RBY IS9252



REPRESENTATION ONLY

TE Part # 525690
DAHT PG PIDG 20-18 ASSY



TE Part # 539691-2
ERGO DIE R.B.Y



TE Part # 58423-1
DIE, RBY IS9252



TE Part # 2063030-1
SDE DIESET, RBY, UL



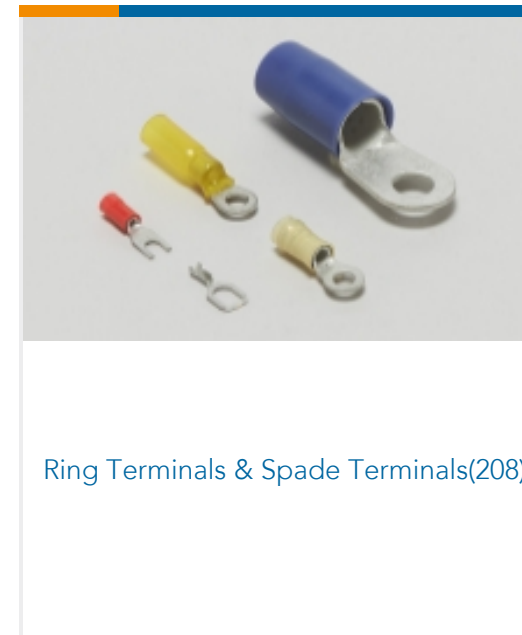
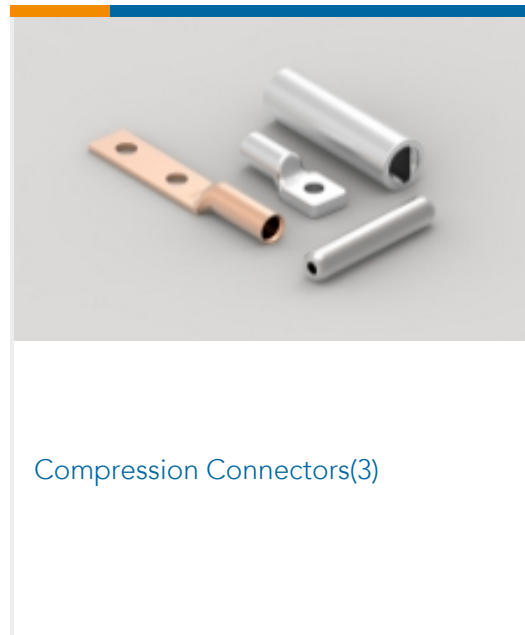
TE Part # 47806-2
DIES PIDG 22-16 DIE SET



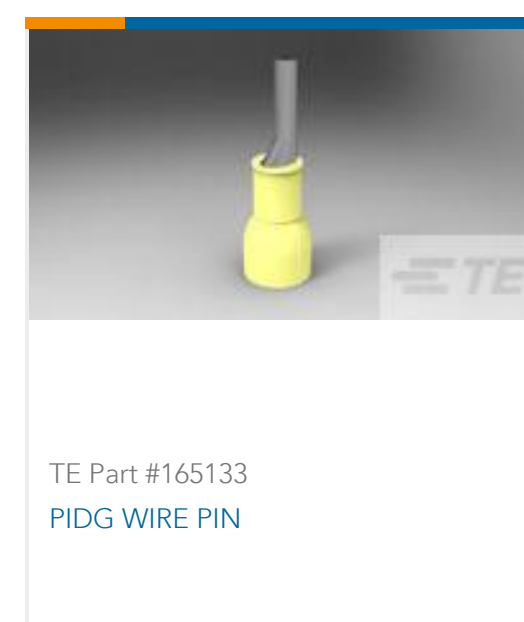
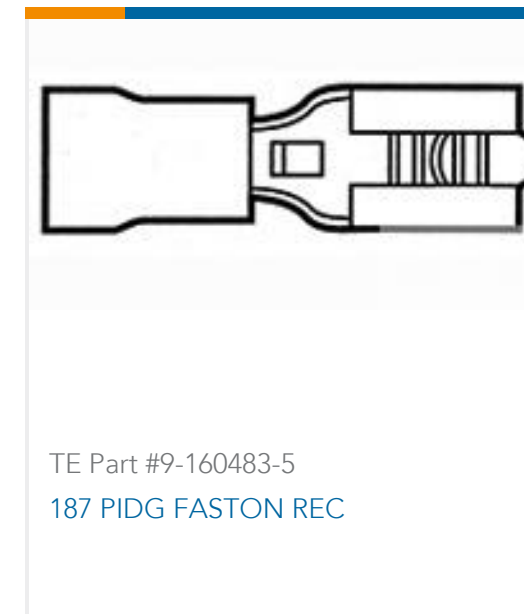
TE Part # 59300
T-HEAD PIDG PG 26-16 ASSY



Also in the Series | **PLASTI-GRIP**



Customers Also Bought



Documents

Product Drawings

[PG R 22-16 COMM 22-18 MIL 8](#)

English

CAD Files

Customer View Model

[ENG_CVM_CVM_34148_T.2d_dxf.zip](#)



English

[3D PDF](#)

3D

Customer View Model

[ENG_CVM_CVM_34148_T.3d_igs.zip](#)

English

Customer View Model

[ENG_CVM_CVM_34148_T.3d_stp.zip](#)

English

By downloading the CAD file I accept and agree to the [Terms and Conditions](#) of use.

Product Specifications

[Application Specification](#)

English

Product Environmental Compliance

[MD_34148_07032017642_dmtec](#)

English

[MD_34148_07032017642_dmtec](#)

English

Agency Approvals

[UL Report](#)

English

[UL Report](#)

English

[UL Report](#)

English