

PRODUCT NUMBER

71600-YXXLF

LEAD FREE, SEE NOTE 6 & 7.

TOTAL NB OF POSITION 04 TO 64
SEE SHEET 2

OPTIONAL STRAIN RELIEF
SEE SHEET 2

TRIANGLE INDICATES
POSITION 1
NOTE 5

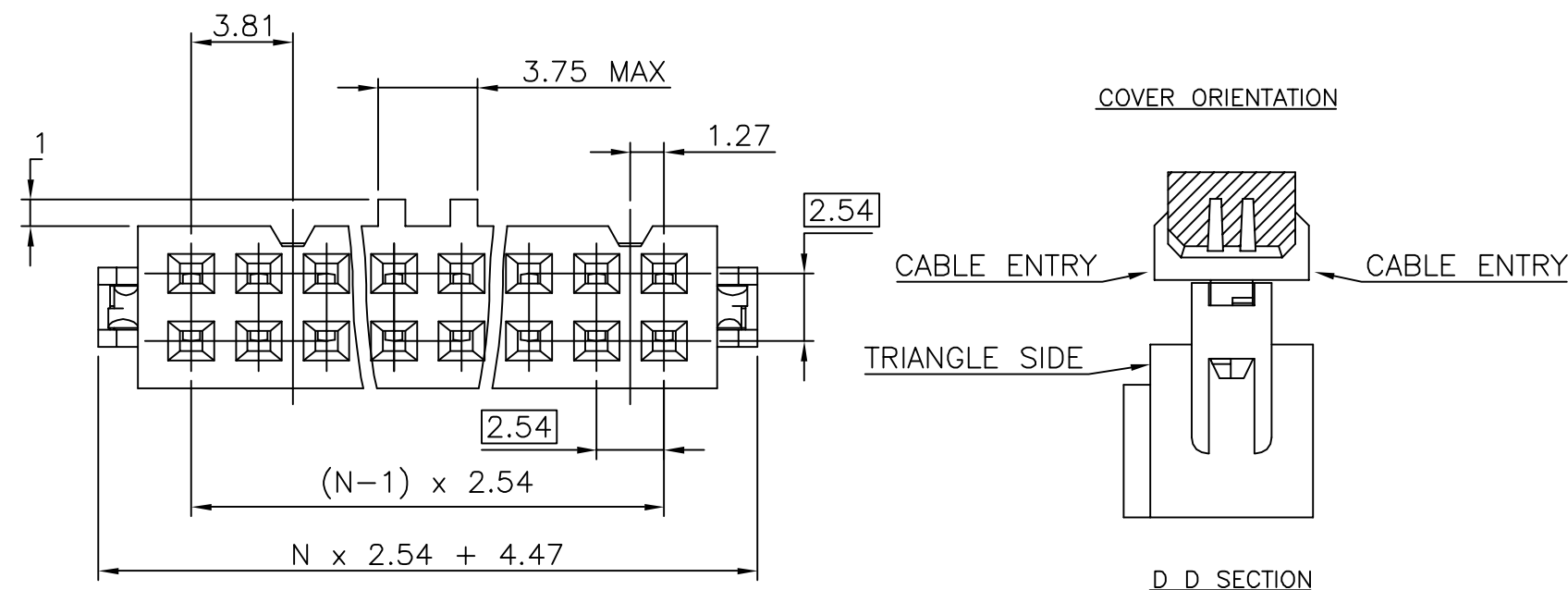
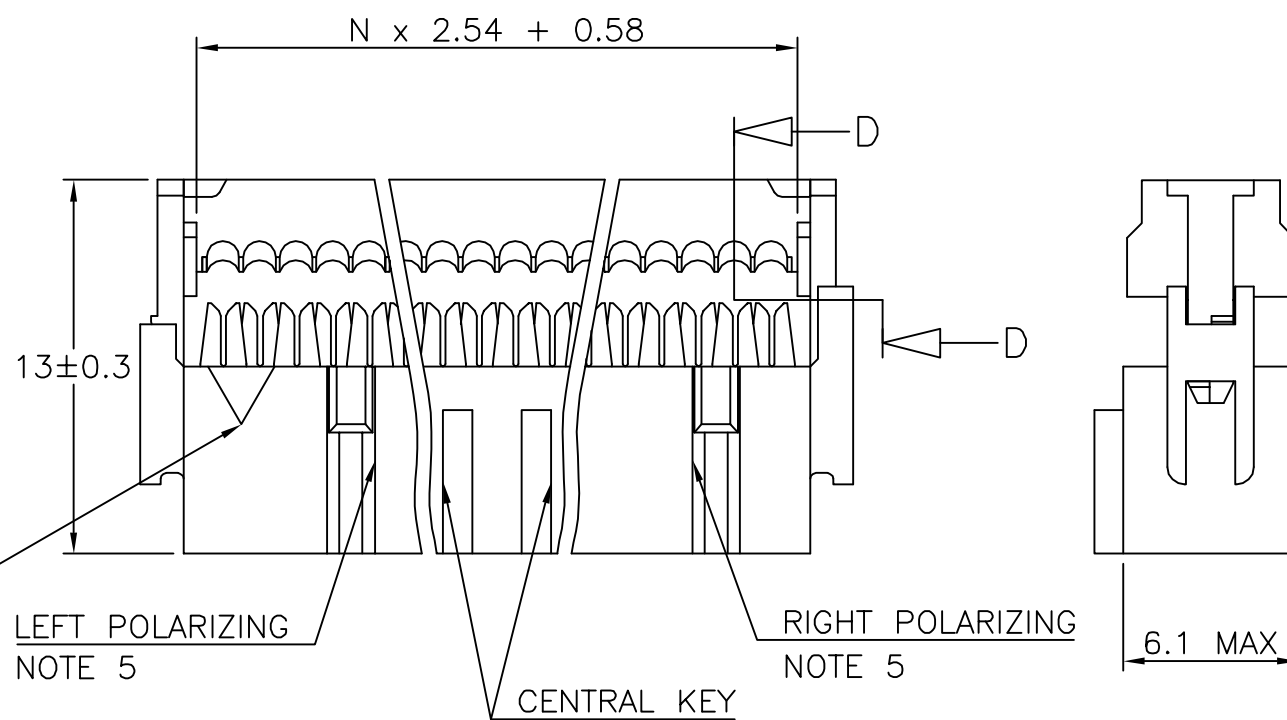
LEFT POLARIZING
NOTE 5

CENTRAL KEY
NOTE 5

RIGHT POLARIZING
NOTE 5

NOTES:

- 1 - PLASTIC MAT'L : GLASS FILLED HIGH TEMPERATURE THERMOPLASTIC. UL94V-0 COLOR: GREY
- 2 - PIN MATERIAL : PHOSPHOR BRONZE
- 3 - PRODUCT PACKAGED IN TUBES.
- 4 - TO DETERMINE DIMENSIONS :
N = NUMBER OF POSITIONS
EXAMPLE : 8 POS $N \times 2.54 = 20.32\text{mm}$
- 5 - 2x5, 2x6, 2x7 HAVE NO LEFT POLARIZING SLOT.
- 2x2, 2x3 WITH CENTRAL KEY HAVE NO TRIANGLE, NO LEFT AND RIGHT POLARIZING SLOT.
- 2x2 WITHOUT CENTRAL KEY HAS NO LEFT AND RIGHT POLARIZING SLOT.
- 2x3, 2x4 WITHOUT CENTRAL KEY HAVE NO LEFT POLARIZING SLOT
- 2x4 WITH CENTRAL KEY HAVE NO LEFT AND RIGHT POLARIZING SLOT
- 6 - 71600-XXXLF IS SIMILAR TO 71600-XXX, THE SUFFIX 'LF' IS ADDED FOR LEAD FREE IDENTIFICATION.
- 7 - THIS PRODUCT MEETS EUROPEAN UNION DIRECTIVES AND OTHER COUNTRY REGULATIONS AS PER GS-22-008.
PACKAGING SPECIFICATION AS PER GS-14-920.



COVER ORIENTATION

CABLE ENTRY

CABLE ENTRY

TRIANGLE SIDE

D D SECTION

mat'l. code				tolerances unless otherwise specified			CUSTOMER COPY	 www.fciconnect.com	ELECTRONICS		
ltr	ecr no	dr	date	linear	x.x ±0.3	projection			title	product family	code
AG	F04-0330	LMU	04.09.01	linear	x.xx ±0.13		QUICKIE III FEM	2.54MM IDC	213		
AH	F05-0109	JCO	05.01.17	angles	x.xxx ±0.05						
AJ	F05-0171	LMU	05.04.07	angles			0.76µm Au	size	sheet		
AK	F05-0180	LMU	05.04.22	dr	D.LE 01.01.24						
				enr	P.NZ 01.01.24	mm	A3	71600	1 of 2		
AE	F03019	DLE	03.01.23	chr	JF.N 01.01.24						
AF	F04-0168	LMU	04.04.08	appd	P.NZ 01.01.24	scale					
sheet	revision	AK	AC			5:1					
index	sheet	1	2								

Tous droits réservés. Toute réimpression, reproduction ou utilisation non autorisée sans la permission écrite de la FCI est formellement interdite.
 All rights reserved. Any reprinting or unauthorized use without the written permission of FCI is expressly prohibited.
 Copyright FCI Interconnect S.A.



All rights reserved. Reproduction or use in any form without the written authority from the proprietor is prohibited.
 Copyright FCI Interconnect S.A.

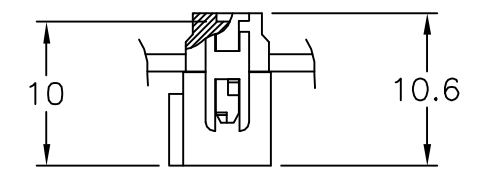
CORE RANGE	
STRAIN RELIEF	Nbr OF POSITIONS
0/1	04
0/1	06
0/1	08
0/1	10
0/1	14
0/1	16
0/1	18
0/1	20
0/1	24
0/1	26
0/1	30
0/1	34
0/1	40
0/1	50
0/1	60
0/1	64

PLATING	
0.76µm GOLD ON CONTACT AREA	
1.27 µm Ni REMAINDER OF PRODUCT	

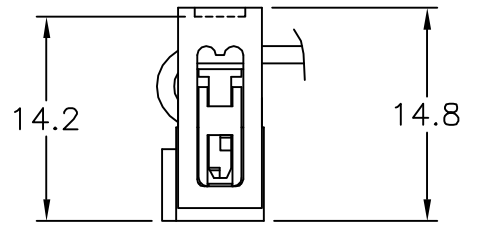
CATALOGUE RANGE	
STRAIN RELIEF	Nbr OF POSITIONS
2/6	04
2/6	06
2/6	08
2/6	10
2/6	14
2/6	16
2/6	18
2/6	20
2/6	24
2/6	26
2/6	30
2/6	34
2/6	40
2/6	50
2/6	60
2/6	64

PLATING	
0.76µm GOLD ON CONTACT AREA	
1.27 µm Ni REMAINDER OF PRODUCT	

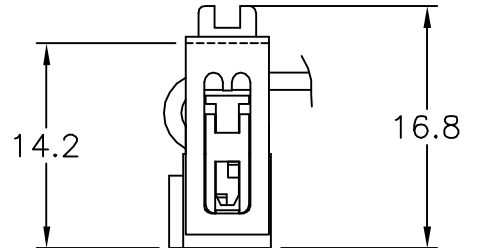
624
304
204 / 224
004
DASHES NOT AVAILABLE



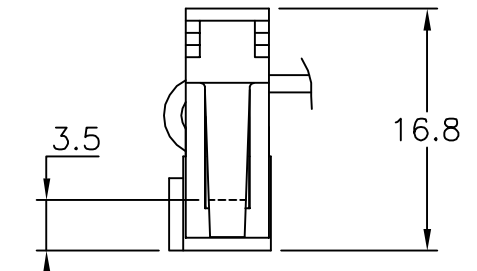
WITHOUT STRAIN RELIEF



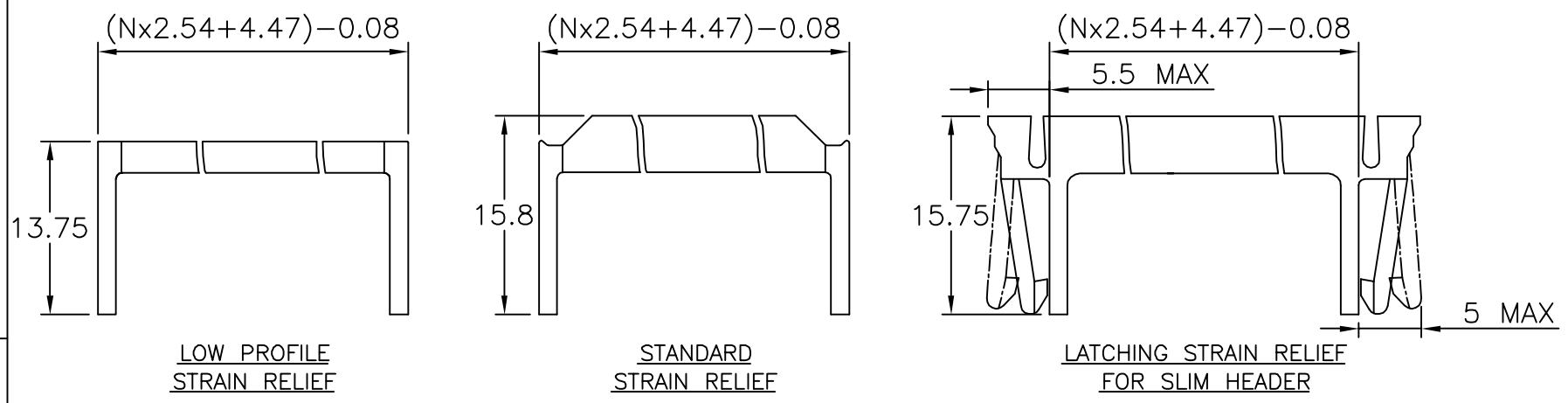
WITH LOW PROFILE STRAIN RELIEF



WITH STANDARD STRAIN RELIEF



WITH LATCHING STRAIN RELIEF



LOW PROFILE STRAIN RELIEF

STANDARD STRAIN RELIEF

LATCHING STRAIN RELIEF FOR SLIM HEADER

71600-6YY	●					●
71600-3YY		●	●			
71600-2YY	●			●		
71600-1YY	●				●	
71600-0YY	●		●			
PRODUCT NUMBER	WITH CENTRAL KEY	WITHOUT CENTRAL KEY	STANDARD STRAIN RELIEF	WITHOUT STRAIN RELIEF	LOW PROFILE STRAIN RELIEF	LATCHING STRAIN RELIEF

mat'l. code				tolerances unless otherwise specified			CUSTOMER COPY		ELECTRONICS www.fciconnect.com		
ltr	ecn no	dr	date	linear	angles	D.LE	01.01.24	projection	title		
X	F70666	AAN	97.11.05						IDC RECEPT DR		
Y	F10121	DLE	01.01.24	enr	chr	P.NZ	01.01.24	mm	product family		
AA	F10199	GCO	01.04.26						QUICKIE		
AB	F03019	DLE	03.01.23	appd	P.NZ	01.01.24	01.01.24	scale	code		
AC	F05-0180	LMU	05.04.22						213		
sheet index		revision sheet		size		A3		dwg no		71600	
				sheet		2 of -					