



# Product Change Notification

Current Date: 03-Aug-2021

## TE Connectivity

**Product Change Notification:** PCN-21-107912

**PCN Date:** 02-AUG-21

**Customer:** TTI, Inc. ( 1305175 )

**Location:** Maisach-gernlinden

**Agreement:** TTI001

TE would like to inform you of the following change(s) to the listed TE Connectivity Product. In case of any further questions about this change(s), please contact your TE Connectivity Sales Engineer. Affected part, drawing and/or specification numbers are listed on the attached sheet(s).

**General Product Description:**

D3200 REC housing

**Description of Changes**

Please be aware the listed documents have been updated to make a correction (not affecting specification of product). Before: Pitch information, 5.08 and 7.62 are in customer drawing as actual dimension After: Pitch information is corrected to reference dimension

**Other attachments:**

[D3200 REC 6POSN](#)

[D3200 REC 10-20POSN](#)

**Reason for Changes:**

Update made to correct a documentation error. Pitch information is for reference only, so it is corrected to the reference dimension.

**Estimated Dates:**

<b>Last Order Date</b> (Obsolete Parts Only):	<b>First Date To Ship</b> (Changed Parts Only):
	11-AUG-2021
<b>Last Ship Date</b> (Obsolete Parts Only):	<b>Last Date for Mixed Shipments:</b> (Changed Parts Only):
	No Mixed Shipments

The documents listed below are being modified. Related parts that are not explicitly listed on this PCN are not being modified or discontinued as per the PCN. The Last Order Date, Last Ship Date, First Date to Ship Changed Parts and last date for Mixed Shipments apply only to parts explicitly listed on this PCN.

**Note: This PCN contains only document changes, these changes do not affect the form, fit or function of the parts referenced.**

**Customer Drawing(s) Being Modified:**

Drawing Number	Related Part Number	Customer Part Number	Current Revision	New Revision
<a href="#">178129</a>	1-178129-6	TYC1-178129-6	G	
<a href="#">917659</a>	1-917659-6	TYC1-917659-6	B3	

NUMBER 917659

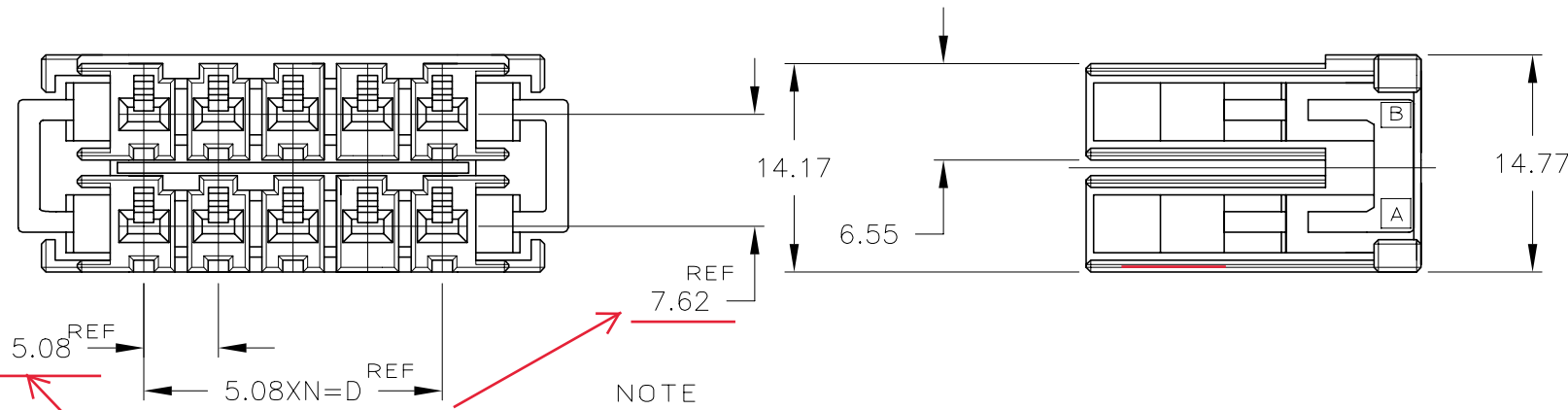
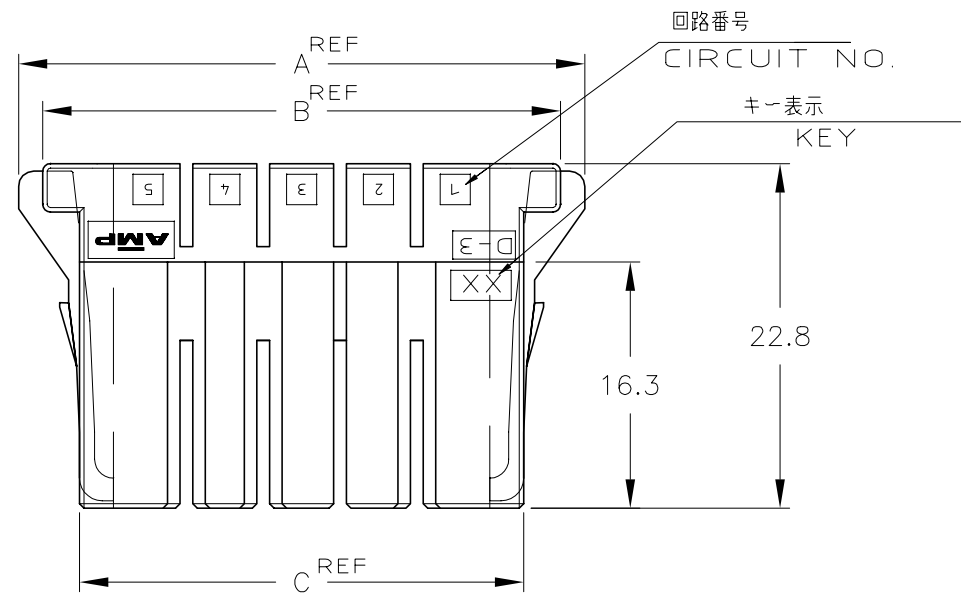


METRIC

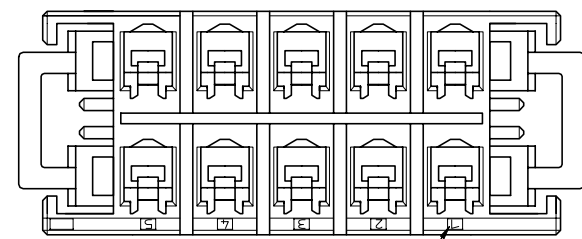
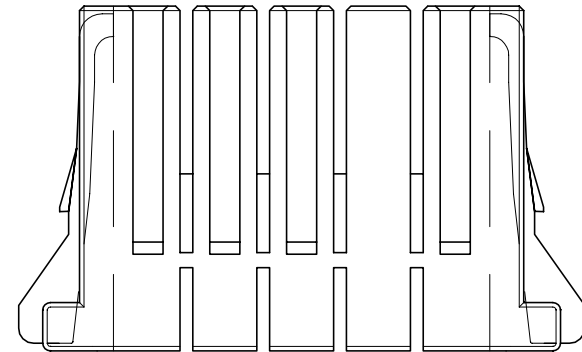
単位: 概 DIMENSIONS IN MM. DO NOT SCALE PRINT

PRINT DIST

AMP-J010-2C  
REV.3/93



Pitch information is for reference only, so it is corrected to the reference dimension.



回路番号  
CIRCUIT NO.

NOTE

1 MATERIAL: GLASS FIELD THERMO PLASTIC, POLYESTER  
COLOR: BLACK

~~2 TO COAT ALL SURFACE OF HOUSING WITH TEFLON~~

注記

1 材料: ガラス入り熱可塑性ポリエステル樹脂  
色: 黒色

~~2 ハウジング全面にテフロン塗装のこと~~

	XX	1-917659-8
	XY	3-917659-6
	YY	2-917659-6
	XX	1-917659-6
	XY	3-917659-5
	YY	2-917659-5
	XX	1-917659-5
キーイングパターン KEYING PATTERN	キー KEY	型番 PART NUMBER

	20	62.86	59.66	54.8	45.72	9	1-917659-8
OBSOLETE							7-917659-6
OBSOLETE							6-917659-6
OBSOLETE							5-917659-6
							3-917659-6
							2-917659-6
	12	42.54	39.34	34.48	25.4	5	1-917659-6
OBSOLETE	10	37.46	34.26	29.4	20.32	4	7-917659-5
							3-917659-5
							2-917659-5
	10	37.46	34.26	29.4	20.32	4	1-917659-5
FINISH POS.	A	B	C	D	N		PART NUMBER

**STE** TE Connectivity

適合電線径範囲 (WIRE RANGE) mm <sup>2</sup> (AWG - )	被覆外径 (INSULATION DIA.) mmφ	名称 (NAME) ダイナミック D3200 リセハウジング
材料 (MATERIAL) 注記参照 SEE NOTE	仕上 (FINISH)	DYNAMIC D3200 REC HSG (DOUBLE ROW)
一般公差 (GENERAL TOLERANCE) 10mm下 : ±0.2 10mm超 30mm下 : ±0.25 30mm超 100mm下 : ±0.3 角 度 : ±3'	LOC A3 J	番号 (No.) 917659
DR. 14/APR/95 K.IKEDA	DE. 14/APR/95 K.IKEDA	尺 寸 (SCALE) 2-1
CHK. 18/APR/96 S.Manabe	APP. 18/APR/96 S.Manabe	REV. B3
		SHEET 1 of 1

C	REVISED	Y.O.	T.S.	231JUL 2021
LTR	変更 (REVISION RECORD)	DR	CHK	DATE

(CUSTOMER DRAWING) 顧客用図面

REVISIONS

P	LTR	DESCRIPTION	DATE	DWN	APVD
	H	REVISED	21JUL2021	Y.O	T.S

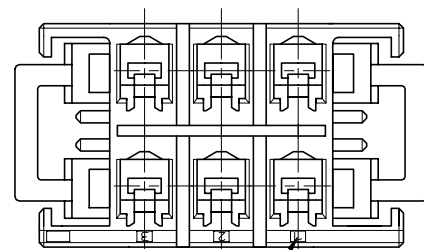
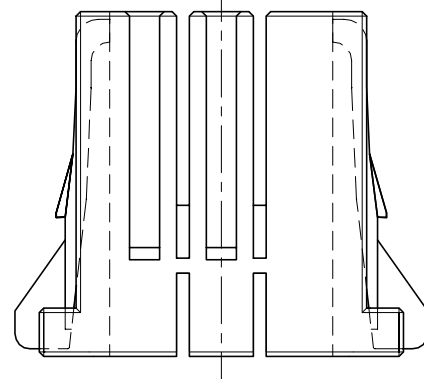
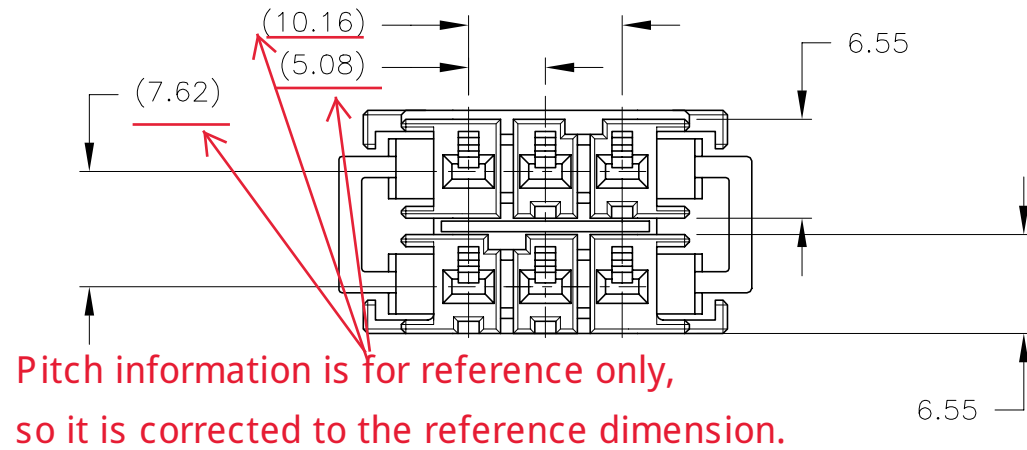
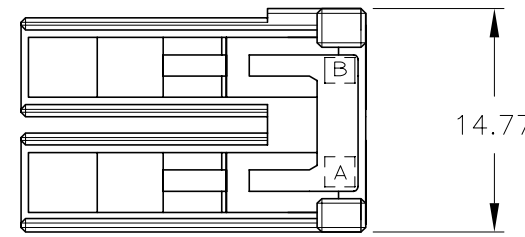
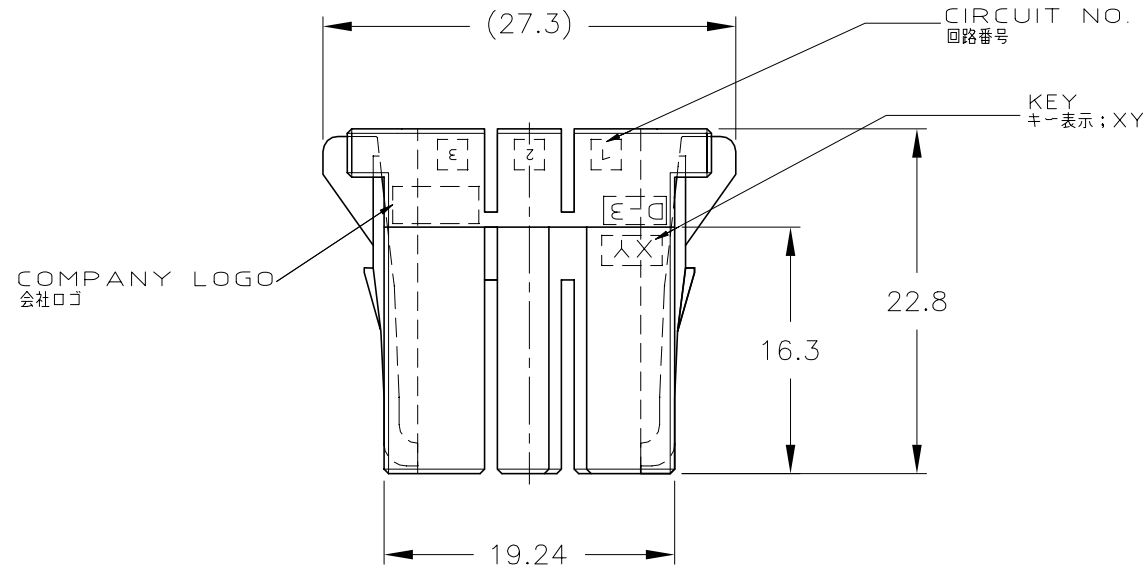
3-178129-6:AS SHOWN  
本図

NOTE

1 MATERIAL:GLASS FIELD THERMO PLASTIC,POLYESTER  
COLOR;BLACK

注記

1 材料：ガラス入り熱可塑性ポリエステル樹脂  
色；黒色



CIRCUIT NO.  
回路番号

-		XY	3-178129-6
-		YY	2-178129-6
-		XX	1-178129-6
FINISH	キーングパターン KEYING PATTERN	キー KEY	型番 PART NUMBER

THIS DRAWING IS A CONTROLLED DOCUMENT.		DWN T.YONEBAYASHI 26/DEC/'89	TE Connectivity Ltd.	
DIMENSIONS: mm		CHK H.OBATA 23/JUL/'90		
TOLERANCES UNLESS OTHERWISE SPECIFIED: 10≥ : ±0.2 30≥ >10: ±0.25 100≥ >30: ±0.3		APVD S.MANABE 9/OCT/'90	NAME DYNAMIC D-3200,MODULAR TYPE 6POS. REC HSG	
MATERIAL 注記参照		FINISH -	PRODUCT SPEC 108-5349	
			APPLICATION SPEC -	
			SIZE A3	CAGE CODE 00779
			DRAWING NO C-178129	RESTRICTED TO -
			SCALE 1:1	SHEET 1 of 1
			CUSTOMER DRAWING	REV H