

PowerFlex Accessory Kits

ILK-FLEXEXT-XXXX-00X.

Product Overview

Our PowerFlex Accessory Kits are designed to work perfectly with the High Bright and Super Bright PowerFlex flexible LED strips.

With the choice of surface mounted or angled profile, these kits are a versatile accessory enabling installation in a wide range of applications and locations to enhance LED installations.

Each kit contains everything you need: end caps, diffusers, extrusion, screws and mounting clips.

The kits are available in 3 standard lengths : 310mm, 1000mm and 1500mm, but the extrusion can easily cut to any length required with a small hacksaw.







Applications:

- Task Lighting
- Backlighting
- Desk Lighting
- Garage Lighting
- Accent Lighting
- Under Cabinet Lighting
- Bar Lighting
- Refrigeration
- Industrial Applications
- Photography

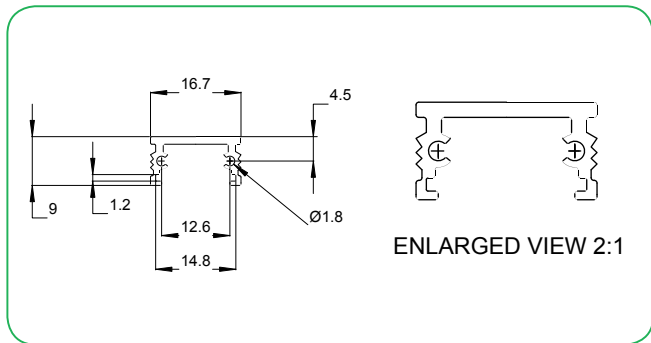
Technical Features:

- Easy installation with option of 3 different lengths
- High quality anodised aluminium extrusion
- Additional thermal management of LEDs
- Clear & Opal diffuser for added choice
- No length restriction - can be linked together
- Metal mounting clips for easy installation

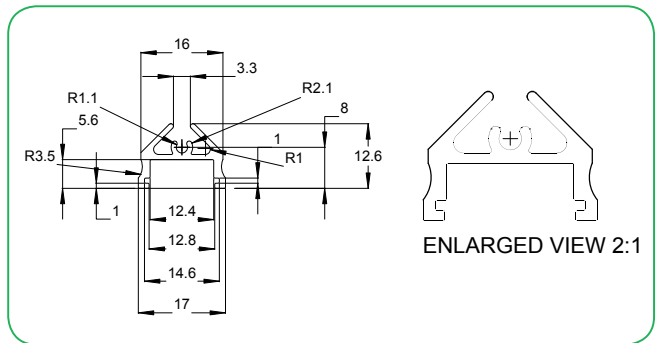
Product Options

ILS PART NUMBER	Included in the kit :	Extrusion	Mounting and End Caps
ILK-FLEXEXT-0310-001.	1x 310mm Metre Surface Mounted Aluminium Extrusion 1 x 310mm Clear Diffuser 1 x 310mm Opal Diffuser 2 x End Caps 2 x Mounting Clips W 16.7mm x H 9.0mm		
ILK-FLEXEXT-1000-001.	1x 1000mm Metre Surface Mounted Aluminium Extrusion 1 x 1000mm Clear Diffuser 1 x 1000mm Opal Diffuser 2 x End Caps 3 x Mounting Clips W 16.7mm x H 9.0mm		
ILK-FLEXEXT-1500-001.	1x 1500mm Metre Surface Mounted Aluminium Extrusion 1 x 1500mm Clear Diffuser 1 x 1500mm Opal Diffuser 2 x End Caps 4 x Mounting Clips W 16.7mm x H 9.0mm		
ILK-FLEXEXT-0310-002.	1x 310mm Metre Angled Aluminium Extrusion 1 x 310mm Clear Diffuser 1 x 310mm Opal Diffuser 2 x End Caps 2 x Mounting Clips W 17.0mm x H 12.6mm		
ILK-FLEXEXT-1000-002.	1x 1000mm Metre Angled Aluminium Extrusion 1 x 1000mm Clear Diffuser 1 x 1000mm Opal Diffuser 2 x End Caps 3 x Mounting Clips W 17.0mm x H 12.6mm		
ILK-FLEXEXT-1500-002.	1x 1500mm Metre Angled Aluminium Extrusion 1 x 1500mm Clear Diffuser 1 x 1500mm Opal Diffuser 2 x End Caps 4 x Mounting Clips W 17.0mm x H 12.6mm		

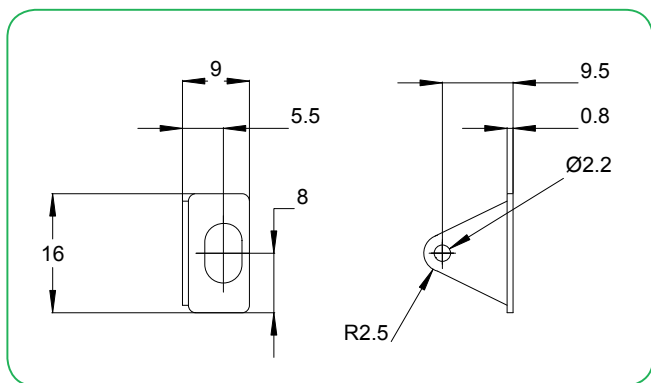
Rectangular Extrusion (mm)



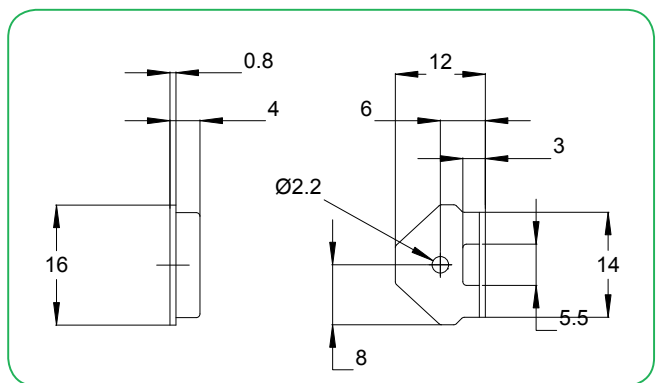
Angular Extrusion (mm)



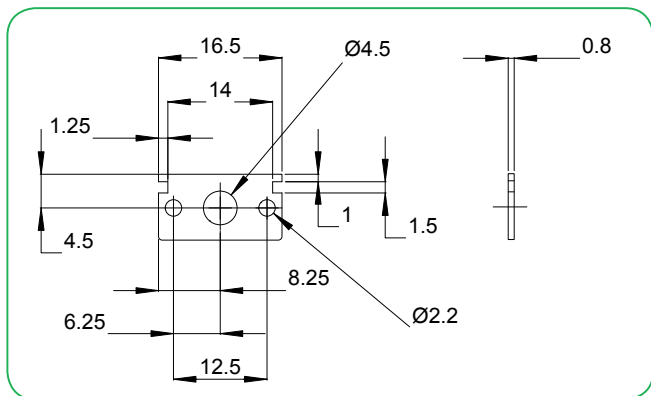
Angular Extrusion Bracket (mm)



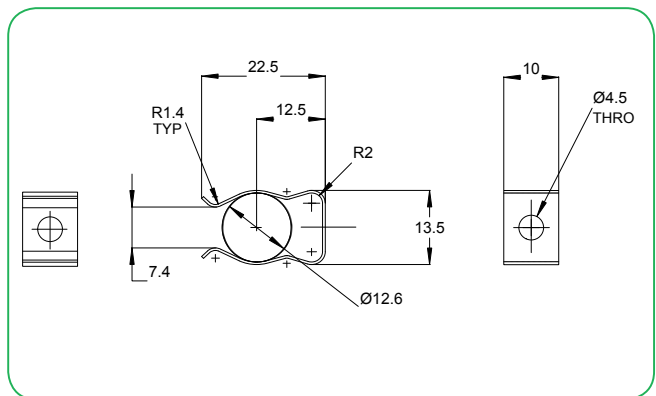
Angular Extrusion Pivot Bracket (mm)



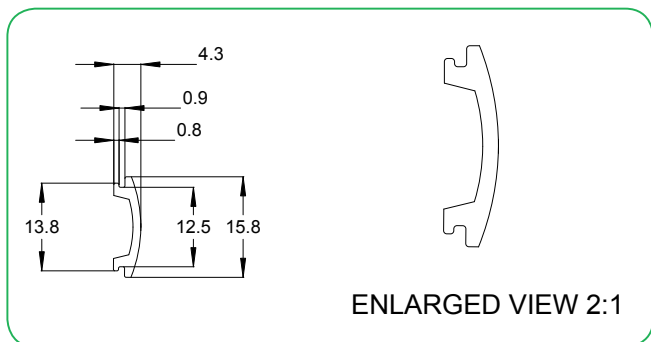
Rectangular Extrusion Bracket (mm)



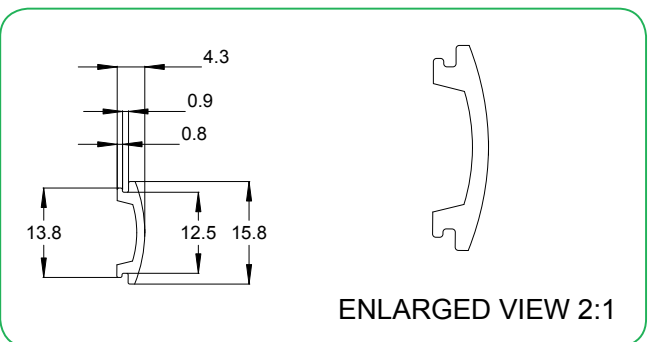
Spring Clip Bracket (mm)



Diffuser Extrusion Opal (mm)



Diffuser Extrusion Clear (mm)



For further information please contact ILS

The values contained in this data sheet can change due to technical innovations. Any such changes will be made without separate notification.