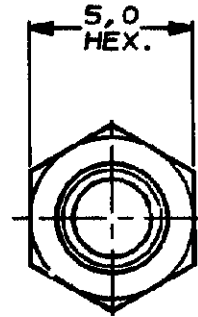
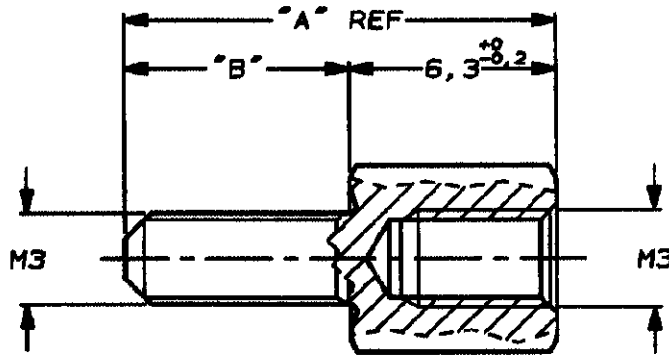
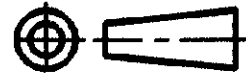


DO NOT SCALE  
DIMENSIONS IN mm

METRIC

THIRD ANGLE  
PROJECTION



DOC. CENTRE  
05 JUNI 1992

-	8,0	14,2	UNPLATED	ARCAP	4-829068-1
-	8,0	14,2	TINPLATED	BRASS	4-829068-3
-	3,0	9,2	UNPLATED	ARCAP	3-829068-3
-	3,0	9,2	TINPLATED	BRASS	3-829068-1
-	11,0	17,2	UNPLATED	ARCAP	2-829068-3
-	11,0	17,2	TINPLATED	BRASS	2-829068-1
-	9,7	15,9	UNPLATED	ARCAP	1-829068-3
-	9,7	15,9	TINPLATED	BRASS	1-829068-1
-	5,0	11,2	UNPLATED	ARCAP	829068-3
-	5,0	11,2	TINPLATED	BRASS	829068-1
-	DIM "B"	DIM "A"	FINISH	MATERIAL	ORDERNUMBER

-	-	-	-	-	<p><b>CUSTOMER DRAWING</b> FOR REFERENCE ONLY WILL NOT BE UPDATED</p> <p>© COPYRIGHT 19- BY AMP HOLLAND B.V. ALL INTERNATIONAL RIGHTS RESERVED. AMP PRODUCTS MAY BE COVERED BY U.S. AND FOREIGN AND/OR PATENTS PENDING. THIS DRAWING IS UNPUBLISHED RELEASED FOR PUBLICATION _____, 19____</p> <p><b>AMP</b>   AMP HOLLAND B.V. s-Hertogenbosch, The Netherlands.</p> <p>NAME <b>SCREWLOCK, FEMALE, HD-SERIES</b></p>	
B	H-9720	S.M.	C.V.	21-04-92		
LTR.	REVISION RECORD	DR.	CHK.	DATE		
DR.	D. RESSLER	CHK.	C.V. TILBURG	APP.		L.V. BOEST
DATE.	02-04-91	DATE.	23-04-91	DATE.		25-04-91
DRG. No.		C-829066		REV. LTR.	B	
SHEET		1 OF 1		A4		