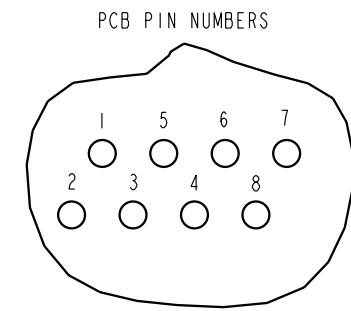
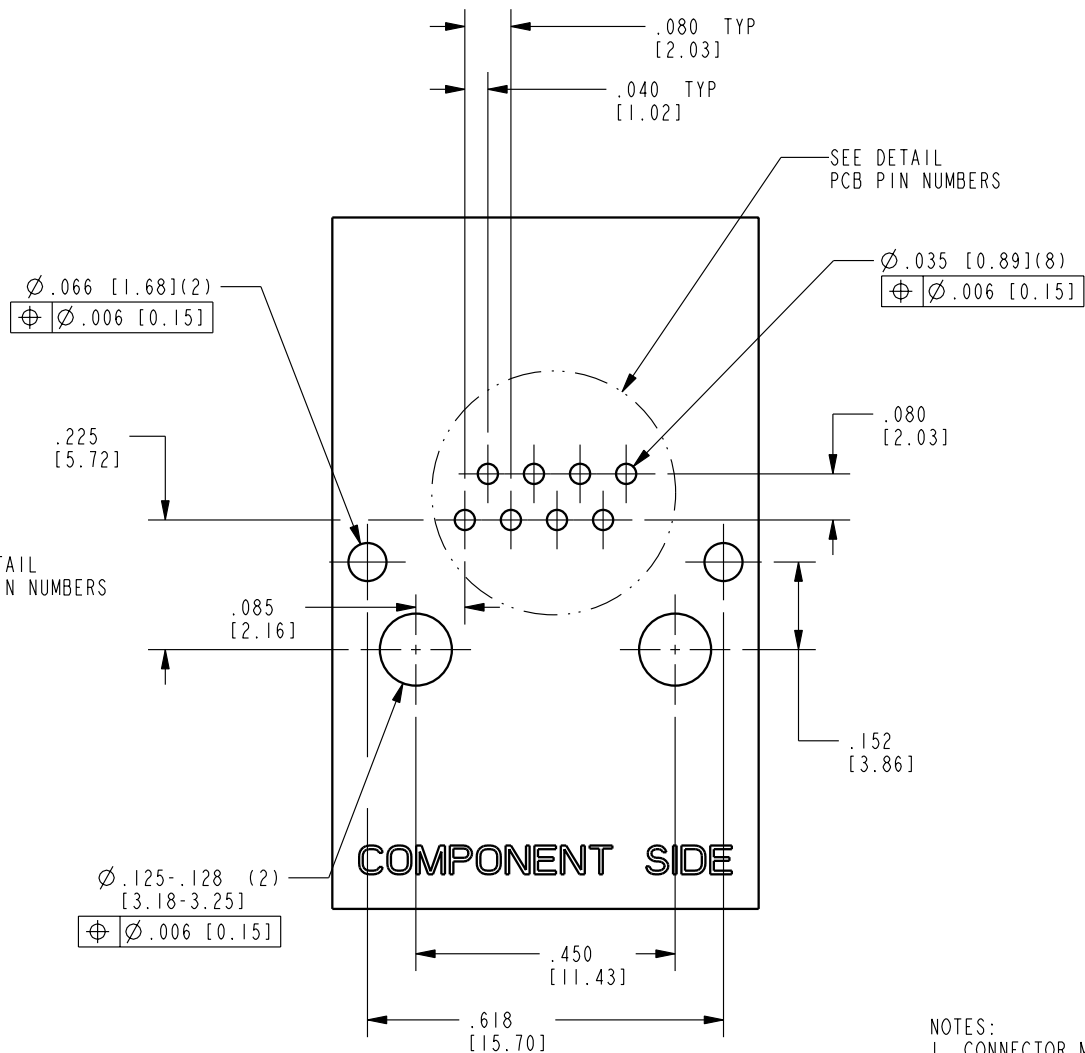
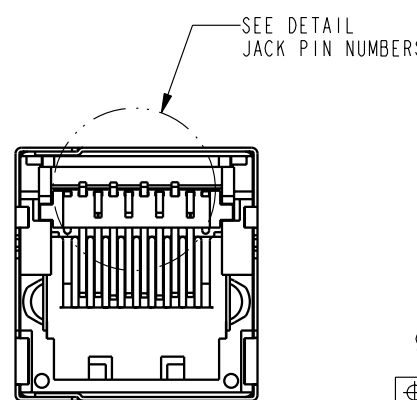
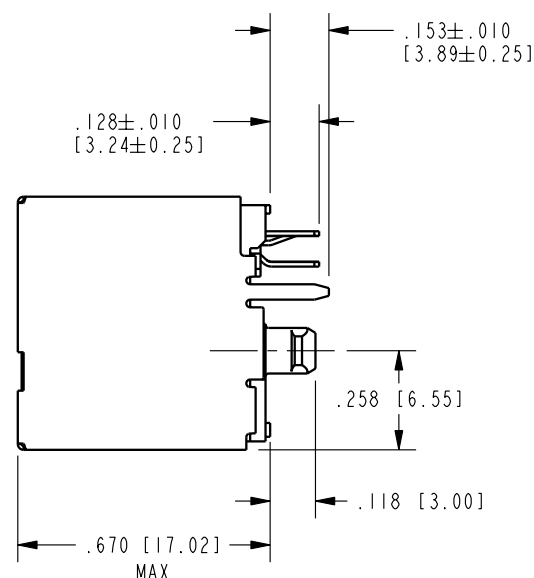
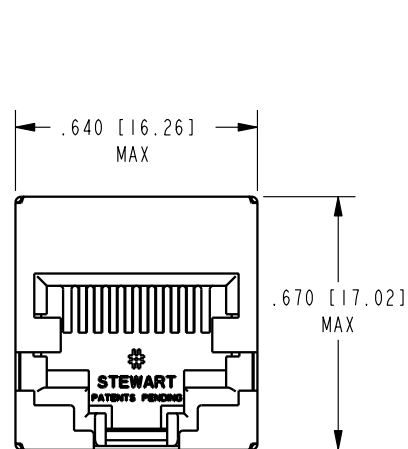
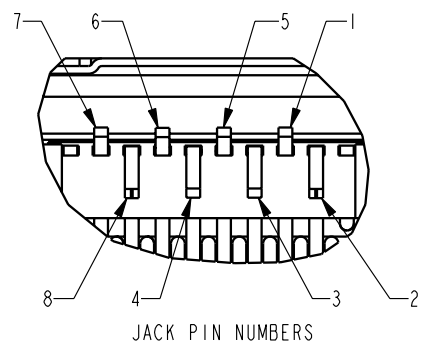


DATE	REV.	ECN	APP'D BY
7-17-03	A0	6109	JRC
9-27-05	B0	7306	TRM
1-13-06	B1	7437	JM



PCB RECOMMENDED HOLE LAYOUT
SEEN FROM COMPONENT SIDE
ALL CENTERLINE DIMENSIONS ARE BASIC

- NOTES:
- CONNECTOR MATERIALS:
HOUSING: THERMOPLASTIC UL94 V-0
CONTACTS/SHIELD: COPPER ALLOY
SHIELD PLATING: NICKEL
CONTACT PLATING: SELECTIVE GOLD IN CONTACT AREA
SEE CHART FOR PART NUMBER
 - PRODUCT DESIGNED FOR CATEGORY 6 APPLICATIONS
 - TOLERANCES COMPLY WITH F.C.C. DIMENSION REQUIREMENTS
 - REFERENCE PRODUCT SPECIFICATION PR026-01

50 MICRO-INCHES [1.27um]	SS-60000-008
CONTACT PLATING IN MATING AREA	PART NUMBER

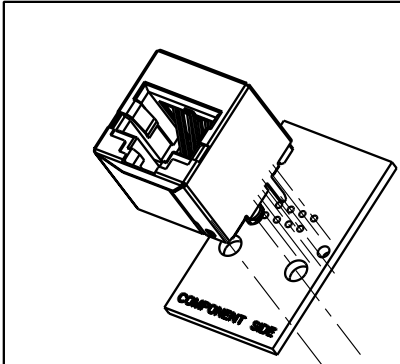
B

B

A

A

REV. 7/3/03



THIRD ANGLE PROJECTION

 DO NOT SCALE DRAWING
 DRAWING IS SUBJECT TO CHANGE WITHOUT NOTICE
 DIMENSIONS: INCHES [METRIC]
 UNLESS OTHERWISE SPECIFIED TOLERANCES ARE ±.005 [0.13] ANGLES ARE ±1°
 SHEET NO. 1 OF 1

Bel Stewart Connector

11118 Susquehanna Trail South
Glen Rock, PA 17327-9199
(717) 235-7512 Fax: (717) 235-7954 <http://www.stewartconnector.com>

TITLE: CATEGORY 6 SHIELDED VERTICAL JACK

DRN BY: JRC	DATE 6-18-02
CKD BY: DHG	DATE 6-18-02
APPD BY: JRC	DATE 6-18-02
DWG. NO. CT600008	REV. B1

THIS DRAWING AND THE SUBJECT MATTER SHOWN THEREON ARE CONFIDENTIAL AND THE PROPRIETARY PROPERTY OF BEL STEWART CONNECTOR AND SHALL NOT BE REPRODUCED, COPIED, OR USED IN ANY MANNER WITHOUT PRIOR WRITTEN CONSENT OF BEL STEWART CONNECTOR. THE SUBJECT MATTER MAY BE PATENTED OR A PATENT MAY BE PENDING.