

# 3-Way Optical Selector Switch

pro-SIGNAL

RoHS  
Compliant



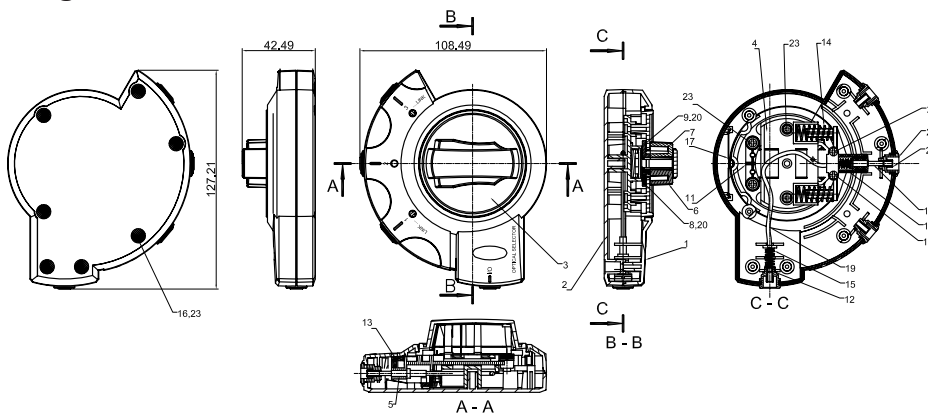
## Description

A three way, rotary selector switch that expands inputs/outputs for optical audio equipment. The unit has a positive locking mechanism to ensure high integrity connections and optimum light signal transfer. Ideal for connecting 3 pieces of digital audio equipment to one optical input on an amplifier

## Features

- Expands input/output options
- Clear selection indicator
- High integrity connections
- Suitable for either TOSLink or 3.5mm optical connections
- Dimensions (W×H×D): 135mm×30mm×110mm

## Diagram



Dimensions : Millimetres

Item	Description	Qty.
1	Up Housing, ABS, Silver Painting	1 Pcs
2	Down Housing, ABS, Silver Painting	1 Pcs
3	Knob, ABS	1 Pcs
4	Support, ABS	1 Pcs
5	Slider, POM, Red	1 Pcs
6	Left Button, ABS, Blue	1 Pcs
7	Right Button, ABS, Blue	1 Pcs
8	Left Arm, POM	1 Pcs
9	Right Arm, POM	1 Pcs
10	Pin Fixer, ABS	1 Pcs
11	Axis Foxier, ABS	1 Pcs
12	Rear Pin, H59	1 Pcs

Item	Description	Qty.
13	Red Director, POM, Red	1 Pcs
14	Big Spring, Spring Steel Ni-Plated	2 Pcs
15	Long Spring, Spring Steel Ni-Plated	2 Pcs
16	Rubber Foot (Black)	7 Pcs
17	Spring Plate, Spring Steel Ni-Plated	1 Pcs
18	Forth Spring, H59	1 Pcs
19	POF	0.2m
20	Axis, H59, nickel-plated	2 Pcs
21	TOSLINK Jack, ABS, Black	4 Pcs
22	TOSLINK Jack Pin, Brass Gold-Plated	4 Pcs
23	Self Tapping Screw, PA 2.5×10 Ni-Plated	11 Pcs
24	Self Tapping Screw, KA2.5×10 Ni-Plated	6 Pcs

Newark.com/exclusive-brands  
Farnell.com/exclusive-brands  
Element14.com/exclusive-brands

pro-SIGNAL

# 3-Way Optical Selector Switch

pro-SIGNAL

## Part Number Table

Description	Part Number
3-Way Optical Selector Switch	PSG00950

**Important Notice :** This data sheet and its contents (the "Information") belong to the members of the AVNET group of companies (the "Group") or are licensed to it. No licence is granted for the use of it other than for information purposes in connection with the products to which it relates. No licence of any intellectual property rights is granted. The Information is subject to change without notice and replaces all data sheets previously supplied. The Information supplied is believed to be accurate but the Group assumes no responsibility for its accuracy or completeness, any error in or omission from it or for any use made of it. Users of this data sheet should check for themselves the Information and the suitability of the products for their purpose and not make any assumptions based on information included or omitted. Liability for loss or damage resulting from any reliance on the Information or use of it (including liability resulting from negligence or where the Group was aware of the possibility of such loss or damage arising) is excluded. This will not operate to limit or restrict the Group's liability for death or personal injury resulting from its negligence. pro-SIGNAL is the registered trademark of Premier Farnell Limited 2019.

Newark.com/exclusive-brands  
Farnell.com/exclusive-brands  
Element14.com/exclusive-brands

pro-SIGNAL