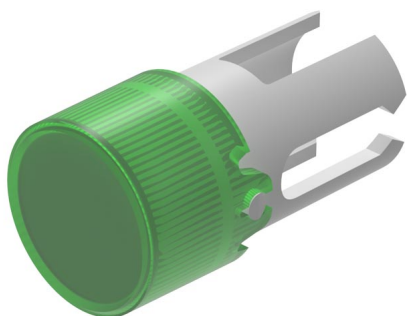


### 19-932.5 - Lens



*Attention: The preview is based on a sample product. This can differ from your current configuration.*

### Mounting

Design raised

### Other Attributes

Weight 0,001 kg  
Dimension Ø 7.3 mm  
Lens holder optical effect transparent

### Operating-/Indication part

Lens optics transparent  
Lens material Plastic  
Lens profile flat  
Lens colour green  
Lens illumination illuminative