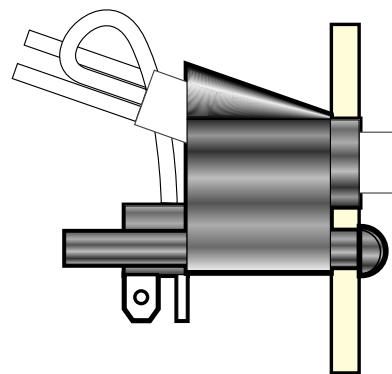
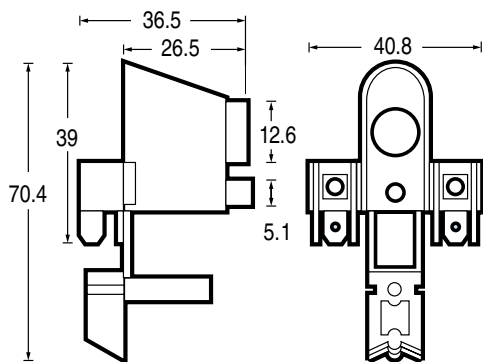


- Cable restraint and termination in one
- Designed to meet BEAB requirements
- Mains cable can be replaced without removing Triklamp



TriKlamp		Material - High grade Nylon 6
Product Reference	Cable Diameter mm	Screw Fixing
TK2	6.0 - 8.5	No. 6 Self Tapping

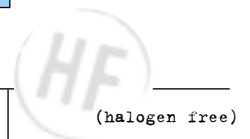


KlamKlip		Material - High grade Nylon 6	HF (halogen free)
Product Reference	Minimum Jaw Diameter	Screw Fixing	
KK1	4.5	M5	
KK2	5.5	M5	
KK3	6.5	M5	
KK4	7.5	M5	

- Cable restraint available in 4 sizes
- Cable diameters 4.5 - 7.5mm
- Location spigot prevents rotation
- Single screw mounting



- Ideal for domestic appliances
- Bushes cable at point of entry into appliance
- Secures cable firmly without damage
- Colour - Black



Klam Bush		<i>Material - High grade Nylon 6</i>							Cable Diameter mm
Product Reference	A mm	B mm	C mm	D mm	E mm	F mm	G mm		
KB1	12.7	9.5	5.3	27.0	18.6	20.3	10.7	3.8 - 6.0	
KB2	12.7	12.8	5.3	31.0	26.4	26.4	14.3	6.0 - 8.5	
KB3	15.9	15.8	5.3	38.5	26.4	26.4	17.5	8.0 - 10.5	
KB4	15.9	19.0	5.3	42.0	31.0	31.0	20.9	10.0 - 15.0	

