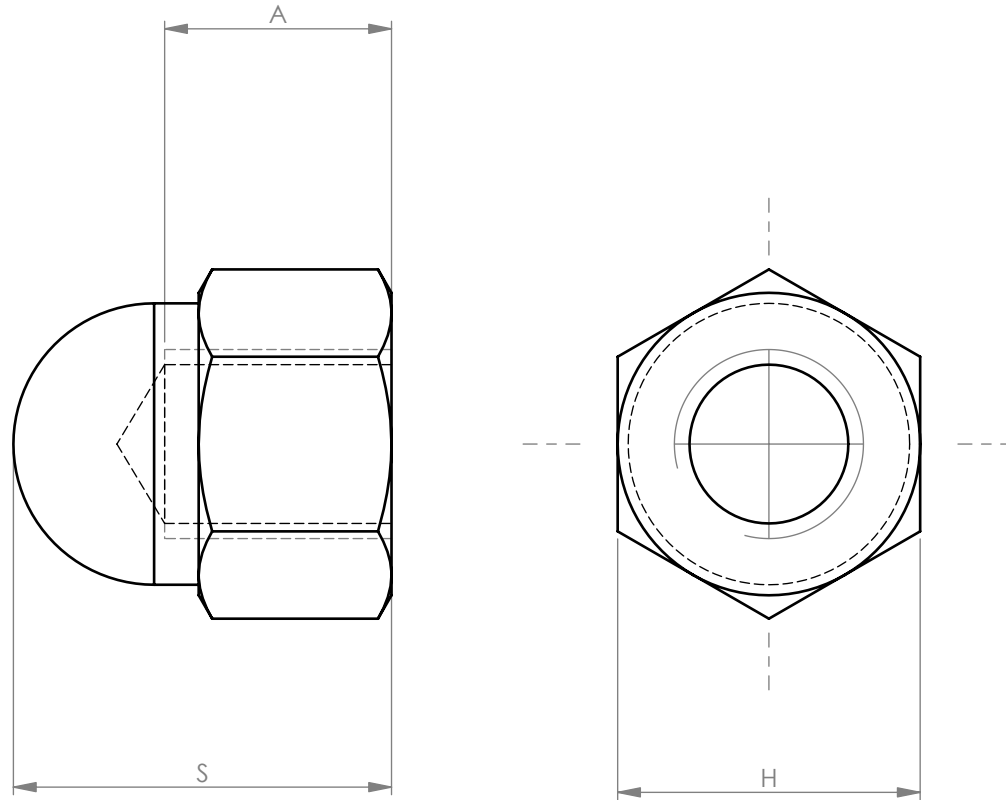
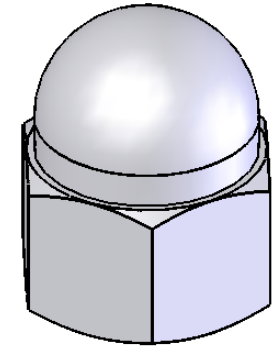


**AVAILABLE BY SPECIAL ORDER ONLY**




REV.	MODIFICATION.	DATE	DRN
01	NEW DRAWING	19/10/04	NJB
02	ECN 2005-033	03/03/05	NJB
03	ECN 2006-050	17/03/06	OW
04	ECN 2007-056	30/03/07	SF



NOTES:  
1) ALL PRIMARY DIMENSIONS IN mm,  
SECONDARY DIMENSIONS IN INCHES.


INFORMATION CONTAINED IN THIS DOCUMENT IS CONFIDENTIAL TO RICHCO INTERNATIONAL Co. Ltd. AND MAY NOT BE DISCLOSED OR REPRODUCED IN WHOLE OR PART WITHOUT THEIR WRITTEN CONSENT

NNE-1587-M6	12.0 [.473]	10.0 [.394]	
NNE-1587-M5	10.0 [.394]	8.0 [.315]	
NNE-1587-M4	8.0 [.315]	7.0 [.276]	6.5 [.256]
NNE-1587-M3	6.0 [.237]	5.5 [.217]	
PART REF:	S	H	A



METRIC GENERAL TOLERANCES  $\pm 0.25$   
ARE PRIMARY UNLESS OTHERWISE STATED  
1 DECIMAL PLACE  $\pm$   
2 DECIMAL PLACES  $\pm$   
ANGULAR  $\pm 1^\circ$

IMPERIAL GENERAL TOLERANCES  $\pm 0.010$   
ARE FOR REFERENCE UNLESS OTHERWISE STATED  
1 DECIMAL PLACE  $\pm$   
2 DECIMAL PLACES  $\pm$   
ANGULAR  $\pm 1^\circ$

MATERIAL: NYLON 6/6 (RMS-174)		COLOUR: NATURAL	
TITLE: DOMED HEX NUT		PART No: NNE-1587-MX	
DRG No: 04-120	NPR REF:		SIZE A4
DRN NJB	DATE 19/10/04		CHKD I.C
SCALE NTS	SHEET No 1 OF 1		