

RoHS
Compliant



Contact Data

Form				1form A
Material				Silver Alloy
Voltage drop at 10A	Initial	NO	≤100mv	
	After Specified number of switch operation		≤150mV	
Service Life	Mechanical			≥1,000,000 ops
	Electrical	Resistive Load No contact	30A	≥100,000 ops

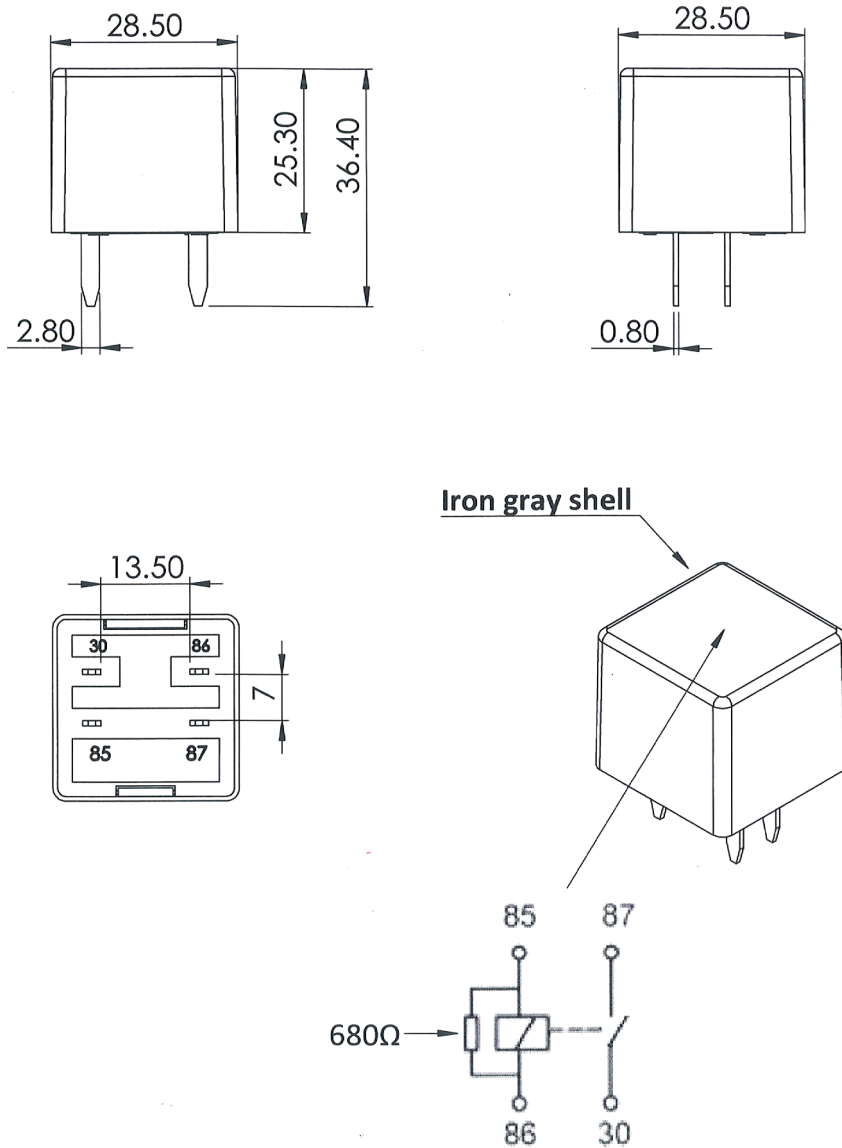
Coil Data

Rated Voltage	12V DC
Resistance Ω 0±10%	77 Ω
Operating Voltage	≤8V DC
Release Voltage	≥1.2V DC

Electronic Characteristic

Operating time	≤15ms
Release time	≤15ms
Insulation resistance	≥100M at 500V DC, 50%RH
Dielectric strength	500Vrms 1min
Shock resistance	10G, 11ms
Vibration resistance	DA 1.5mm 20Hz to 200Hz, functional
Drop resistance	1M height drop on concrete in final enclosure
Power consumption	1.5W
Ambient temperature	-40°C to 85°C operating, -40°C to 125°C storage
Weight	32g

Dimensions



Dimensions : Millimetres

Part Number Table

Description	Part Number
Relay, Auto, SPST-NO, 12V DC, 30A, 1.5W	MP008143

Important Notice : This data sheet and its contents (the "Information") belong to the members of the AVNET group of companies (the "Group") or are licensed to it. No licence is granted for the use of it other than for information purposes in connection with the products to which it relates. No licence of any intellectual property rights is granted. The Information is subject to change without notice and replaces all data sheets previously supplied. The Information supplied is believed to be accurate but the Group assumes no responsibility for its accuracy or completeness, any error in or omission from it or for any use made of it. Users of this data sheet should check for themselves the Information and the suitability of the products for their purpose and not make any assumptions based on information included or omitted. Liability for loss or damage resulting from any reliance on the Information or use of it (including liability resulting from negligence or where the Group was aware of the possibility of such loss or damage arising) is excluded. This will not operate to limit or restrict the Group's liability for death or personal injury resulting from its negligence. Multicomp Pro is the registered trademark of Premier Farnell Limited 2019.