

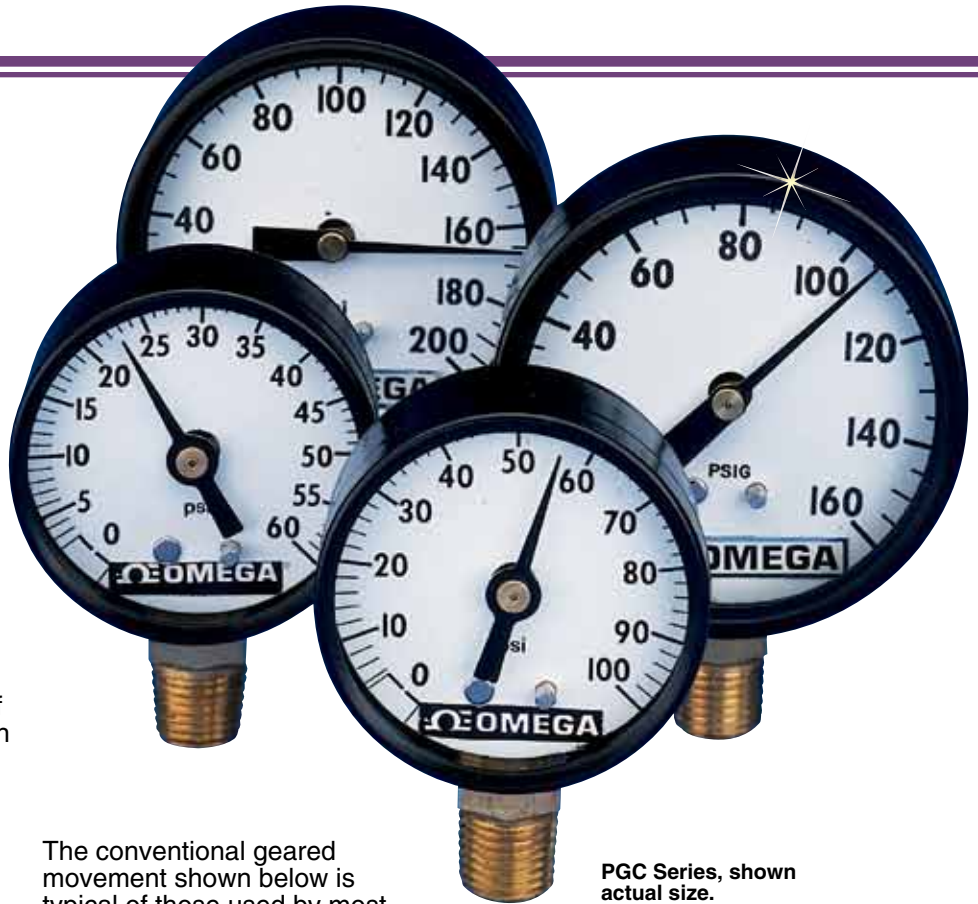
COMMERCIAL-GRADE GAUGES TYPE C

PGC Series



- ✓ Economically Priced
- ✓ Long-Lasting Movement
- ✓ Durable Construction
- ✓ Stocked Ranges for Fast Delivery

The OMEGA® spring-suspended movement represents the design of the future. Wearing parts have been reduced to a minimum. The entire movement is suspended between 2 springs, the Bourdon tube above and the link below. For the user, this means greater resistance to mechanical shock and vibration. This increased resistance to the effects of rough usage contributes to longer gauge life.



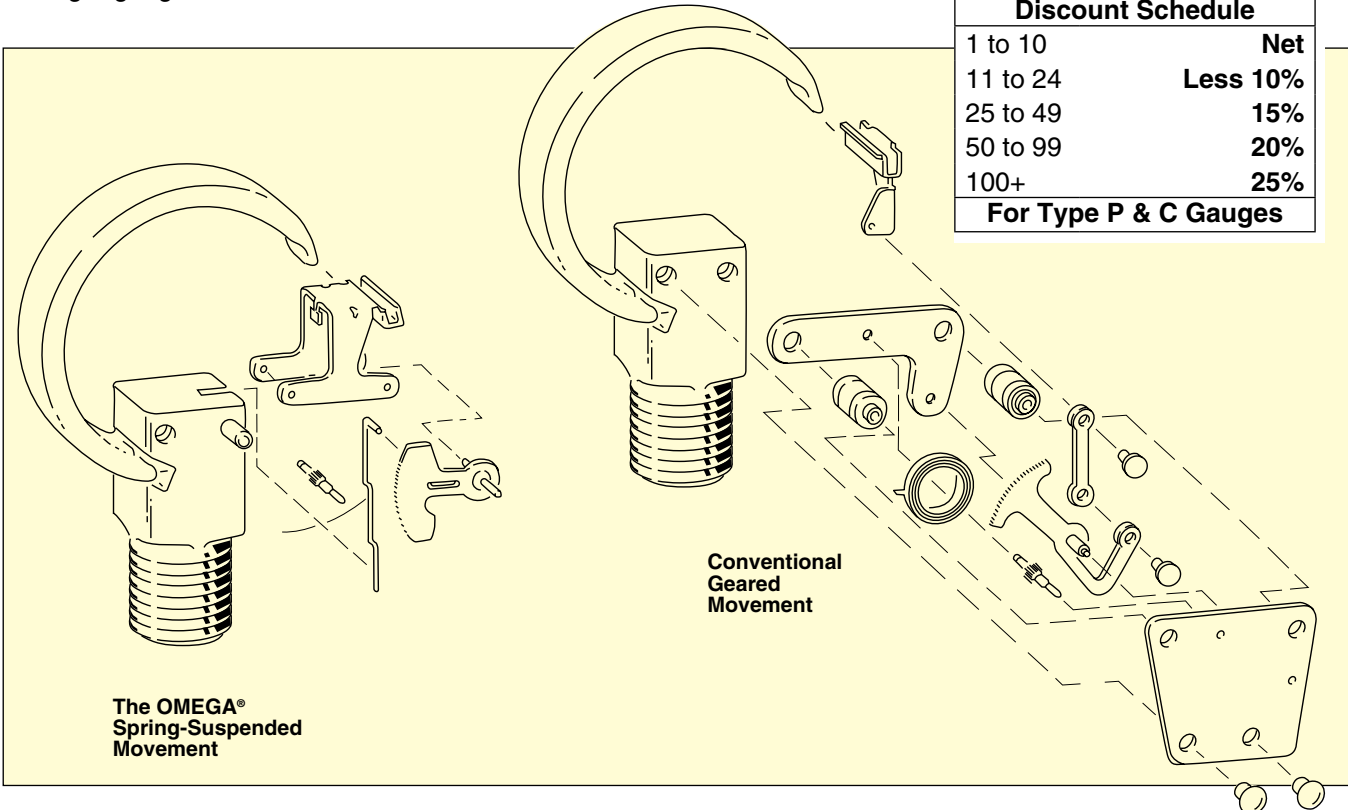
The conventional geared movement shown below is typical of those used by most manufacturers of commercial pressure gauges.

PGC Series, shown actual size.

Discount Schedule

Quantity	Discount	Net
1 to 10		Net
11 to 24	Less 10%	
25 to 49	15%	
50 to 99	20%	
100+	25%	

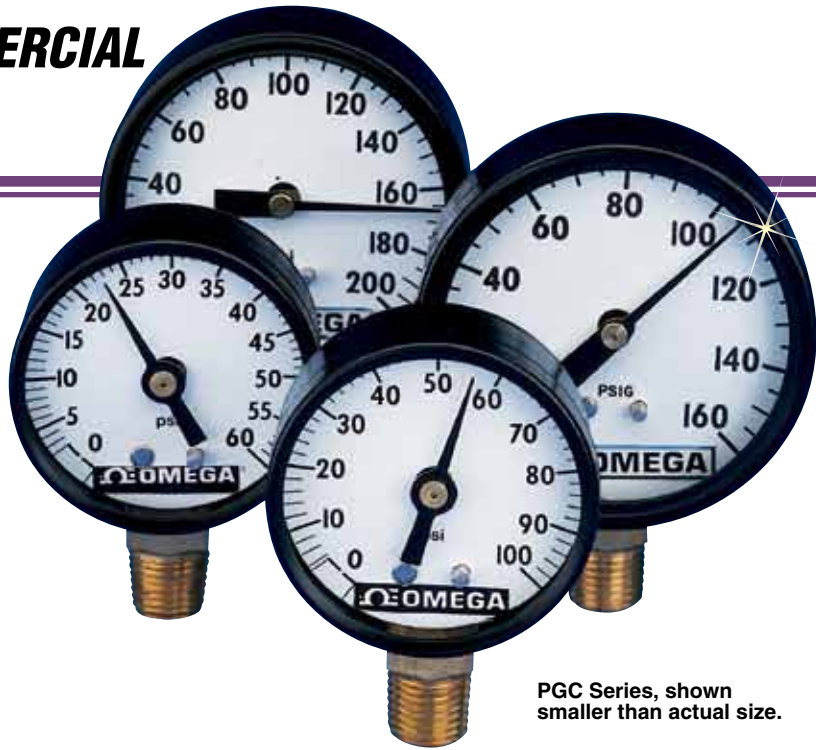
For Type P & C Gauges



HOW TO ORDER COMMERCIAL GRADE GAUGES

Standard Case

The high reliability of the OMEGA® commercial gauge line is chiefly attributable to the unique OMEGA® spring-suspended movement. The entire movement is suspended between 2 springs, the Bourdon tube above and the link below. Wearing parts have been reduced to a minimum. Movement parts are ultrasonically cleaned and lubricated with silicone oil to ensure long cycle life. The OMEGA® spring-suspended movement is largely resistant to shock, pulsation, and vibration. The result is longer gauge life. The numerous applications for OMEGA® commercial gauges include installation on pumps, portable compressors, industrial machinery, hydraulic and pneumatic systems, instrumentation, and pressurized vessels.



PGC Series, shown smaller than actual size.

SPECIFICATIONS

Temperature: 66°C (150°F) maximum

Case: Painted steel

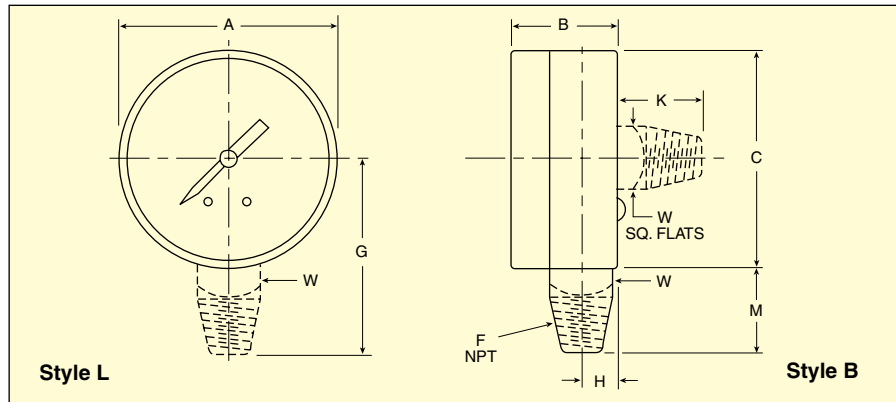
Window: Polycarbonate plastic

Bourdon Tube: Bronze

Connection: Brass ¼ NPT

Ranges: Vacuum to 600 psi

Accuracy: 3-2-3% (3% over first and last 10% of range, 2% over remainder)



STANDARD RANGES

RANGE CODE	RANGE
30V	30/0 inHg vac
30V/15	30 inHg vac to 15 psi
30V/30	30 inHg vac to 30 psi
30V/100	30 inHg vac to 100 psi
15	0 to 15 psi
30	0 to 30 psi
60	0 to 60 psi
100	0 to 100 psi
160	0 to 160 psi
300	0 to 300 psi
400	0 to 400 psi
600	0 to 600 psi

Dimensions: mm (inch)

DIAL SIZE	A	B		C	F NPT	G	H	K	M	W	WT (OZ)
		LOWER	BACK								
50.8 (2)	53 (2 ^{7/64})	27 (1 ^{3/64})	26 (1 ^{1/32})	54 (2 ^{7/64})	¼	47 (1 ^{27/32})	10 (%)	22 (7/8)	20 (25/32)	14 (9/16)	4½
63.5 (2½)	69 (2 ^{23/32})	29 (1½)	29 (1½)	68 (2 ^{11/16})	¼	55 (2 ^{3/32})	10 (%)	22 (7/8)	20 (25/32)	14 (9/16)	6

To Order Visit omega.com/pgc for Pricing and Details

DIAL SIZE	MODEL NO.	CONNECTION
2"	PGC-20L-[*]	Lower
	PGC-20B-[*]	Back
2½"	PGC-25L-[*]	Lower
	PGC-25B-[*]	Back

[*] Insert range code from Standard Ranges table. Other standard ranges available; visit omega.com

Ordering Example: PGC-20B-30, commercial pressure gauge with 2" dial, back connection and 0/30 psi range.