



Product Change Notification

Current Date: 25-Aug-2021

TE Connectivity

Product Change Notification: PCN-21-111259

PCN Date: 24-AUG-21

Customer: TTI Inc(0000139702)

Location: WORLDWIDE

Agreement: Agreement Unknown

TE would like to inform you of the following change(s) to the listed TE Connectivity Product. In case of any further questions about this change(s), please contact your TE Connectivity Sales Engineer. Affected part, drawing and/or specification numbers are listed on the attached sheet(s).

General Product Description:

legacy 0.5FH 220pos rec & plug connectors

Description of Changes

add mated condition info in the drawings

Other attachments:

[Add mated condition info in drawing](#)

Reason for Changes:

customer request

Estimated Dates:

Last Order Date (Obsolete Parts Only):

First Date To Ship (Changed Parts Only):

25-AUG-2021

Last Ship Date (Obsolete Parts Only):

Last Date for Mixed Shipments: (Changed Parts Only):

No Mixed Shipments

The documents listed below are being modified. Related parts that are not explicitly listed on this PCN are not being modified or discontinued as per the PCN. The Last Order Date, Last Ship Date, First Date to Ship Changed Parts and last date for Mixed Shipments apply only to parts explicitly listed on this PCN.

Note: This PCN contains only document changes, these changes do not affect the form, fit or function of the parts referenced.

Customer Drawing(s) Being Modified:

Drawing Number	Related Part Number	Customer Part Number	Current Revision	New Revision
1827231	3-1827231-6		F	
1827233	3-1827233-6		C	
2040713	3-2040713-6		A	
2040714	3-2040714-6		C	
5353606	6-5353606-6		C	
5353652	3-5353652-6	TYC3-5353652-6	D	
6318490	3-6318490-6	TYC3-6318490-6	C1	
6318491	3-6318491-6	266843-001	D4	

Customer: TTI, Inc. (1305175)

Location: Maisach-gerlinden

Agreement Number: TTI001

The documents listed below are being modified. Related parts that are not explicitly listed on this PCN are not being modified or discontinued as per the PCN. The Last Order Date, Last Ship Date, First Date to Ship Changed Parts and last date for Mixed Shipments apply only to parts explicitly listed on this PCN.

Customer Drawing(s) Being Modified:

Drawing Number	Related Part Number	Customer Part Number	Current Revision	New Revision
1827231	3-1827231-6	TYC3-1827231-6	F	
1827233	3-1827233-6	TYC3-1827233-6	C	
5353606	6-5353606-6		C	
5353652	3-5353652-6	TYC3-5353652-6	D	
6318490	3-6318490-6	TYC3-6318490-6	C1	
6318491	3-6318491-6	TYC3-6318491-6, 266843-001	D4	

Customer: TTI Inc (3164508)

Location: Fort Worth

Agreement Number: Agreement Unknown

The documents listed below are being modified. Related parts that are not explicitly listed on this PCN are not being modified or discontinued as per the PCN. The Last Order Date, Last Ship Date, First Date to Ship Changed Parts and last date for Mixed Shipments apply only to parts explicitly listed on this PCN.

Customer Drawing(s) Being Modified:

Drawing Number	Related Part Number	Customer Part Number	Current Revision	New Revision
1827233	3-1827233-6		C	
2040714	3-2040714-6		C	
5353652	3-5353652-6		D	
6318490	3-6318490-6		C1	
6318491	3-6318491-6		D4	

Customer: TTI Electronics Asia Pte Ltd (3063486)

Location: Taipei

Agreement Number: Agreement Unknown

The documents listed below are being modified. Related parts that are not explicitly listed on this PCN are not being modified or discontinued as per the PCN. The Last Order Date, Last Ship Date, First Date to Ship Changed Parts and last date for Mixed Shipments apply only to parts explicitly listed on this PCN.

Customer Drawing(s) Being Modified:

Drawing Number	Related Part Number	Customer Part Number	Current Revision	New Revision
5353652	3-5353652-6		D	
6318490	3-6318490-6		C1	

Customer: TTI Electronics Austria GmbH (3163121)

Location: Vienna

Agreement Number: Agreement Unknown

The documents listed below are being modified. Related parts that are not explicitly listed on this PCN are not being modified or discontinued as per the PCN. The Last Order Date, Last Ship Date, First Date to Ship Changed Parts and last date for Mixed Shipments apply only to parts explicitly listed on this PCN.

Customer Drawing(s) Being Modified:

Drawing Number	Related Part Number	Customer Part Number	Current Revision	New Revision
6318490	3-6318490-6		C1	

Customer: TTI Inc (168830)

Location: Fort Worth

Agreement Number: Agreement Unknown

The documents listed below are being modified. Related parts that are not explicitly listed on this PCN are not being modified or discontinued as per the PCN. The Last Order Date, Last Ship Date, First Date to Ship Changed Parts and last date for Mixed Shipments apply only to parts explicitly listed on this PCN.

Customer Drawing(s) Being Modified:

Drawing Number	Related Part Number	Customer Part Number	Current Revision	New Revision
2040713	3-2040713-6		A	

Customer: Shanghai TTI Electronics Co Ltd (1405773)

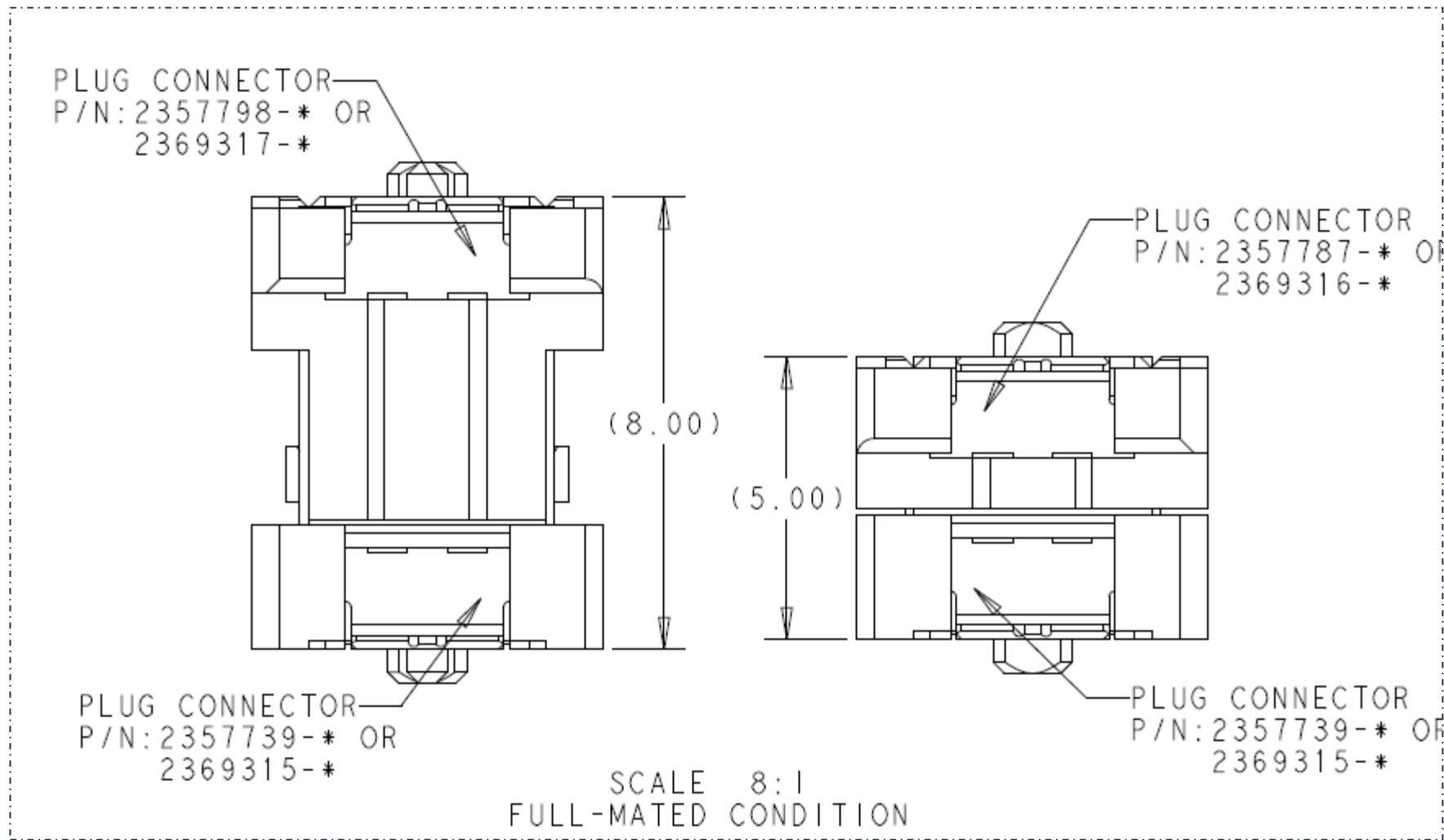
Location: Shanghai

Agreement Number: Agreement Unknown

The documents listed below are being modified. Related parts that are not explicitly listed on this PCN are not being modified or discontinued as per the PCN. The Last Order Date, Last Ship Date, First Date to Ship Changed Parts and last date for Mixed Shipments apply only to parts explicitly listed on this PCN.

Customer Drawing(s) Being Modified:

Drawing Number	Related Part Number	Customer Part Number	Current Revision	New Revision
1827231	3-1827231-6		F	
1827233	3-1827233-6		C	
6318490	3-6318490-6		C1	
6318491	3-6318491-6	266843-001	D4	



Add the similar the above info in the customer drawings, here 16G COMe connectors for example