

Modular Signal Towers / KombiSIGN 72
AndonLIGHT KS72 GN/YE/RD



| | |
|------------------|---------------------|
| Part No.: | 649.000.03 |
| Series: | KombiSIGN 72 |

| MECHANICAL DATA | |
|------------------------------|-----------------------------|
| Length | 92 mm |
| Width | 32 mm |
| Height | 160 mm |
| Diameter | 70 mm |
| Materials | PA-GF PC |
| Dome colour | Green Red Yellow |
| Housing colour | Black |
| Protection category | IP30 |
| Connection | Spring-type terminal |
| cross-sectional area maximum | 1,50mm ² / 16AWG |
| Cable entry | Through hole |
| Cable entry maximum | d = 11 mm |
| Tension relief | Not present |
| Type of fixing | Tube mounting |
| Working temperature minimum | 0°C |
| Working temperature maximum | +40°C |
| Weight with packaging | 1117 g |
| Product weight | 1003 g |

| ELECTRICAL DATA | |
|-----------------------------|------------------------------|
| Operating voltage | 115-230V |
| Operating voltage type | AC |
| Operating voltage frequency | 50Hz at 230V 60Hz at 115V |
| Operating voltage tolerance | +/- 10% |
| Rated operational voltage | 230 VAC |
| Rated operational current | 65 mA |
| Rated inrush current | >10A |
| Protection class | Protection class 2 |
| Pollution degree | 3 |
| Overvoltage category | II |
| Isolation voltage | Ui = 250V; Uimp = 2.500V |

| OPTICAL DATA | |
|---------------------|-----|
| Light source | LED |

! For additional installation and mounting information, refer to the appropriate user guide at www.werma.com. This printed copy is for information only and is subject to alteration.

Modular Signal Towers / KombiSIGN 72

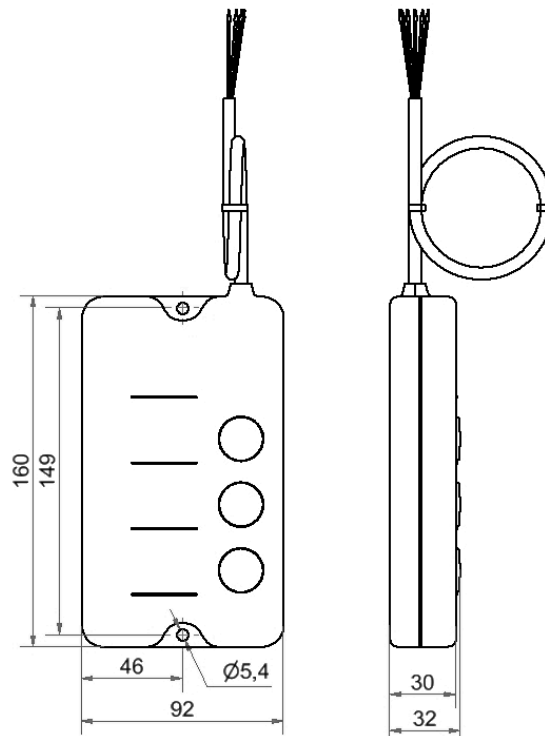
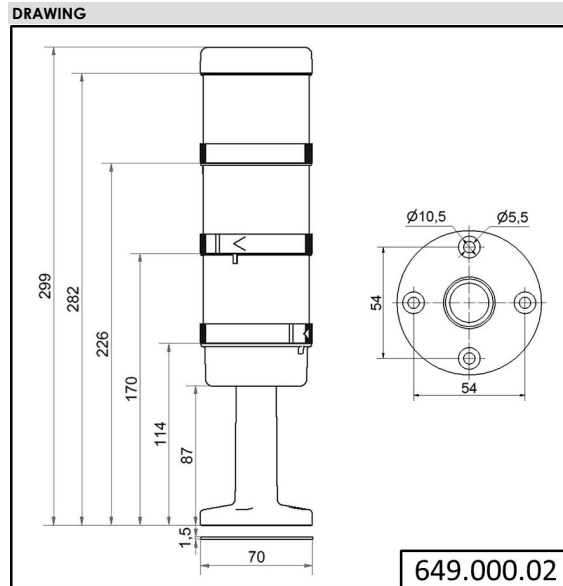
AndonLIGHT KS72 GN/YE/RD

| | |
|----------------------|------------------------|
| Light colour | Green Red Yellow |
| Optical signal image | Permanent |
| Blink frequency (Hz) | 1 Hz |
| Service life optical | 50,000 h maximum |

| APPROVAL DATA | |
|-----------------------------|-----|
| Conforms with CE | No |
| WEEE | Yes |
| Conforms with RED directive | No |
| Conform with ATEX-directive | No |
| Conforms with CCC | No |
| Conforms with UL | No |
| Conforms with FCC | No |
| Conforms with IC | No |
| EAC certificate available | Yes |
| Conforms with AS-I | No |
| ICAO Certification | No |
| Conforms with GL | No |
| Conforms with RoHS CN | No |
| Conforms with VdS | No |

! For additional installation and mounting information, refer to the appropriate user guide at www.werma.com. This printed copy is for information only and is subject to alteration.

Modular Signal Towers / KombiSIGN 72
AndonLIGHT KS72 GN/YE/RD



! For additional installation and mounting information, refer to the appropriate user guide at www.werma.com. This printed copy is for information only and is subject to alteration.