

Completely pre-assembled Signal Towers / CleanSIGN
CleanSIGN WM Contin. tone 24VDC MC



Part No.:	695.200.55
Series:	CleanSIGN

**MECHANICAL DATA**

Length	125 mm
Width	112 mm
Height	485 mm
Diameter	76 mm
Materials	PA
Dome colour	Clear
Housing colour	Black
Protection category	IP67 IP69K
Connection	Screw terminals
cross-sectional area maximum	1,50mm ² / 16AWG
Type of fixing	Wall mounting
Working temperature minimum	-30°C
Working temperature maximum	+50°C
Weight with packaging	596 g
Product weight	426 g

ELECTRICAL DATA

Operating voltage	24V
Operating voltage type	DC
Operating voltage tolerance	+/- 10%
Rated operational voltage	24 VDC
Rated operational current	260 mA
Rated inrush current	280 mA
Protection class	Protection class 2
Pollution degree	3

OPTICAL DATA

Light source	LED
Light colour	MC 3 colours Red
Optical signal image	Permanent
Service life optical	50,000 h maximum

ACUSTICAL DATA

Volume (max) at 1m distance	85,0 dB (A)
Acoustic signal image	Continuous tone
Audio frequency	2400 Hz
Acoustic service life	5,000 h minimum



For additional installation and mounting information, refer to the appropriate user guide at www.werma.com. This printed copy is for information only and is subject to alteration.

Completely pre-assembled Signal Towers / CleanSIGN

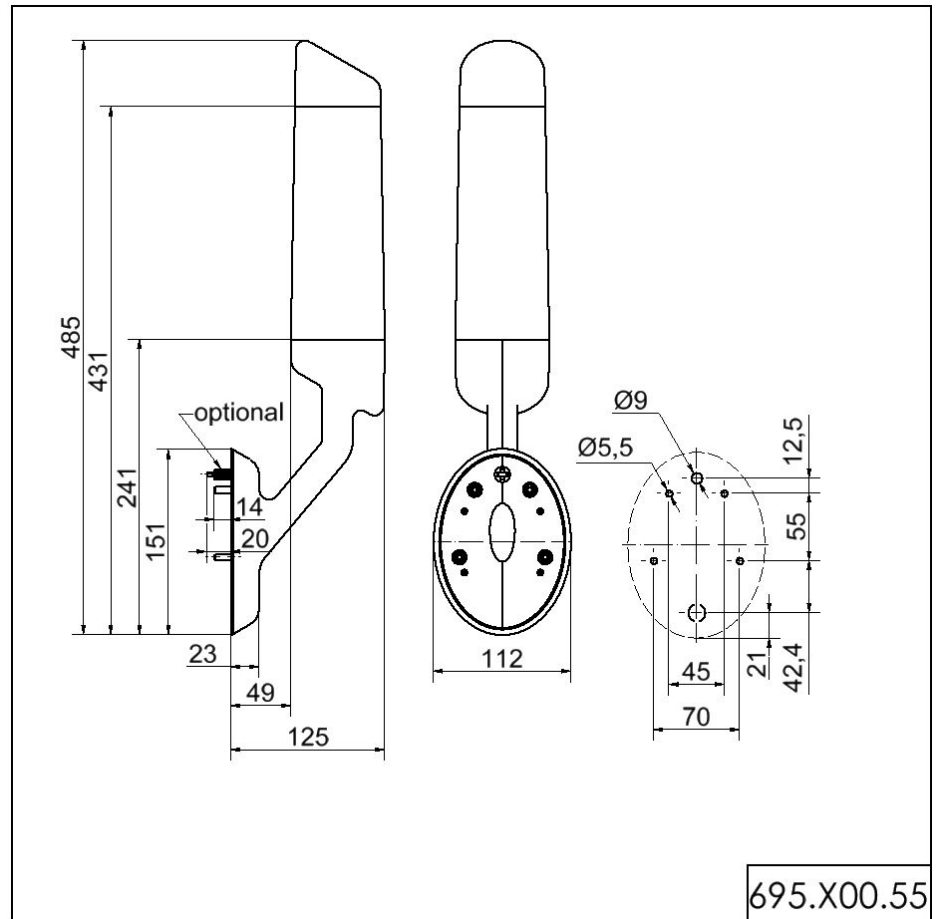
CleanSIGN WM Contin. tone 24VDC MC

APPROVAL DATA	
Conforms with CE	Yes
WEEE	No
Conforms with RED directive	No
Conform with ATEX-directive	No
Conforms with CCC	No
Conforms with UL	No
Conforms with FCC	No
Conforms with IC	No
EAC certificate available	Yes
Conforms with AS-I	No
ICAO Certification	No
Conforms with GL	No
Conforms with RoHS CN	No
Conforms with VdS	No

! For additional installation and mounting information, refer to the appropriate user guide at www.werma.com. This printed copy is for information only and is subject to alteration.

Completely pre-assembled Signal Towers / CleanSIGN
CleanSIGN WM Contin. tone 24VDC MC

DRAWING



For additional installation and mounting information, refer to the appropriate user guide at www.werma.com. This printed copy is for information only and is subject to alteration.