

Mini installation beacon / LED Beacon 816

**LED Beacon USB EM 5VDC MC**

Part No.: 816.480.53

**MECHANICAL DATA**

Height	97 mm
Diameter	75 mm
Materials	PC
Dome colour	Clear
Protection category	IP65
Connection	USB
Tension relief	Present (conforms to VDE)
Type of fixing	Built-in mounting
Working temperature minimum	-20°C
Working temperature maximum	+50°C
Weight with packaging	172 g
Product weight	138 g

**ELECTRICAL DATA**

Operating voltage	5V (USB)
Operating voltage type	DC
Operating voltage tolerance	+/- 0%
Rated operational voltage	5 VDC
Rated operational current	500 mA
Rated inrush current	500 mA
Protection class	Protection class 2
Pollution degree	3
connectivity	USB
	In the connection area: 2

**OPTICAL DATA**

Light source	LED
Light colour	MC >200.000 colours
Optical signal image	Permanent
Service life optical	50,000 h maximum

**APPROVAL DATA**

Conforms with CE	Yes
WEEE	Yes
Conform with ATEX-directive	No
Conforms with CCC	No
Conforms with UL	No
Conforms with FCC	No
Conforms with IC	No



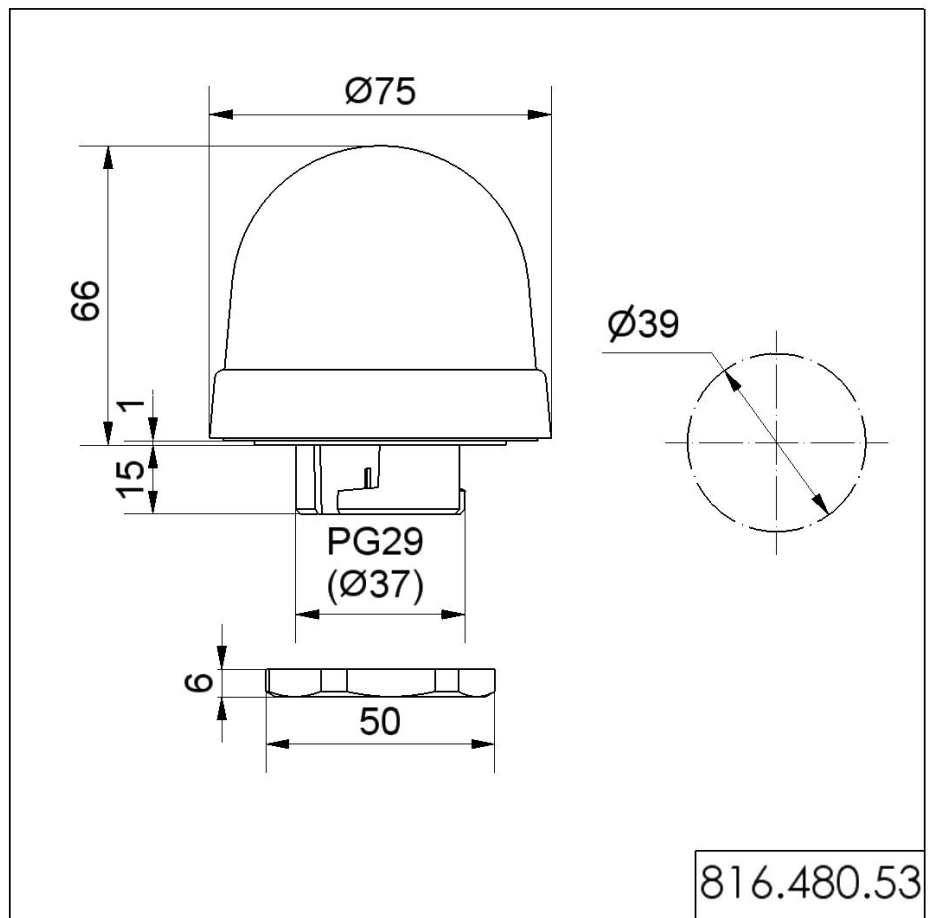
For additional installation and mounting information, refer to the appropriate user guide at [www.werma.com](http://www.werma.com). This printed copy is for information only and is subject to alteration.

Mini installation beacon / LED Beacon 816

**LED Beacon USB EM 5VDC MC**

EAC certificate available	Yes
Conforms with AS-I	No
ICAO Certification	No
Conforms with GL	No
Conforms with RoHS CN	No
Conforms with VdS	No

**DRAWING**



For additional installation and mounting information, refer to the appropriate user guide at [www.werma.com](http://www.werma.com). This printed copy is for information only and is subject to alteration.