

770854-1 ✓ ACTIVE

AMP | AMPSEAL

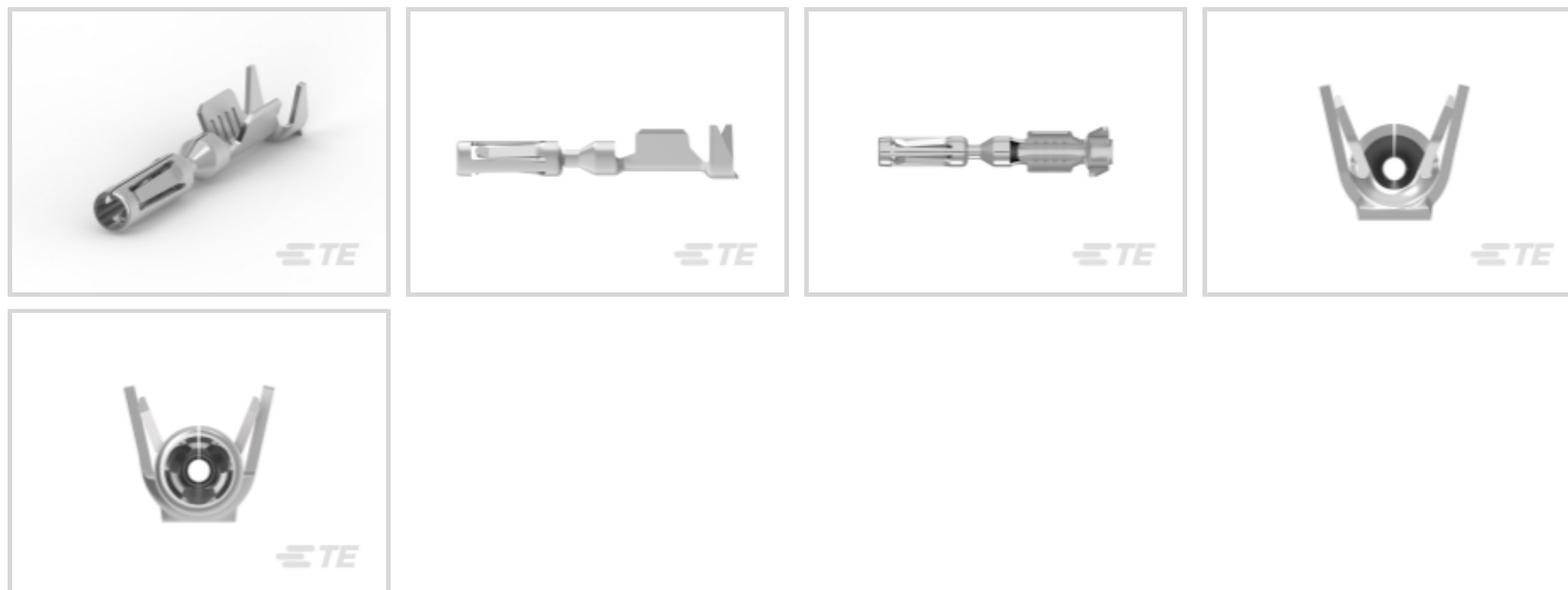
TE Internal #: 770854-1

AMPSEAL, Automotive Terminals, Socket, Pin Diameter 1.3 mm [.051 in], Terminal Transmits 0 – 24 A (Low Power), 20 – 15AWG Wire Size

[View on TE.com >](#)



Terminals & Splices > Automotive Terminals > AMPSEAL CONTACTS



Terminal & Splice Type: **Socket**

Mating Pin Diameter: **1.3 mm [.051 in]**

Terminal Transmits: **0 – 24 A (Low Power)**

Wire Size: **.5 – 1.5 mm²**

[All AMPSEAL CONTACTS \(4\)](#)

Features

Product Type Features

Receptacle Style	180°
Sealable	Yes

Body Features

Automotive Terminal Seal Type	Family Seal
-------------------------------	-------------

Contact Features

Typical Current Rating	17 A
Crimp Type	F-Crimp
Terminal & Splice Type	Socket
Mating Pin Diameter	1.3 mm[.051 in]
Automotive Terminal Interface Plating	Tin (Sn)

Termination Features

Automotive Terminal Termination Method	Crimp
--	-------

Dimensions



Wire Size	.5 – 1.5 mm ²
Wire Size Search	15 AWG, 16 AWG, 17 AWG, 18 AWG, 19 AWG, 20 AWG
Wire Insulation Diameter	1.7 – 2.7 mm [.067 – .106 in]

Usage Conditions

Operating Temperature (Max)	80 °C, 85 °C, 90 °C, 100 °C, 105 °C, 110 °C, 120 °C, 125 °C [176 °F][185 °F][194 °F][212 °F][221 °F][230 °F][248 °F][257 °F]
Operating Temperature Range	-40 – 125 °C [-40 – 257 °F]

Packaging Features

Packaging Method	Package
Packaging Quantity	1000

Other

Terminal Transmits	0 – 24 A (Low Power)
--------------------	----------------------

Product Compliance

[For compliance documentation, visit the product page on TE.com>](#)

EU RoHS Directive 2011/65/EU	Compliant
EU ELV Directive 2000/53/EC	Compliant
China RoHS 2 Directive MIIT Order No 32, 2016	No Restricted Materials Above Threshold
EU REACH Regulation (EC) No. 1907/2006	Current ECHA Candidate List: JUL 2021 (219) Candidate List Declared Against: JUL 2021 (219) Does not contain REACH SVHC
Halogen Content	Low Halogen - Br, Cl, F, I < 900 ppm per homogenous material. Also BFR/CFR/PVC Free
Solder Process Capability	Not reviewed for solder process capability

Product Compliance Disclaimer

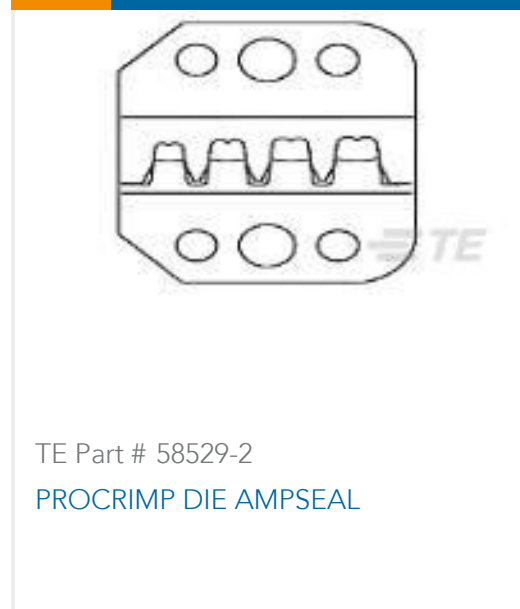
This information is provided based on reasonable inquiry of our suppliers and represents our current actual knowledge based on the information they provided. This information is subject to change. The part numbers that TE has identified as EU RoHS compliant have a maximum concentration of 0.1% by weight in homogenous materials for lead, hexavalent chromium, mercury, PBB, PBDE, DBP, BBP, DEHP, DIBP, and 0.01% for cadmium, or qualify for an exemption to these limits as defined in the Annexes of Directive 2011/65/EU (RoHS2). Finished electrical and electronic equipment products will be CE marked as required by Directive 2011/65/EU. Components may not be CE marked. Additionally, the part numbers that TE has identified as EU ELV compliant have a maximum concentration of 0.1% by weight in homogenous materials for lead, hexavalent chromium, and mercury, and 0.01% for cadmium, or qualify for an exemption to these limits as defined in the Annexes of Directive 2000/53/EC (ELV). Regarding the REACH Regulation, the information TE provides on SVHC in articles for this part number is based on the latest European Chemicals Agency (ECHA) 'Guidance on

requirements for substances in articles' posted at this URL: <https://echa.europa.eu/guidance-documents/guidance-on-reach>

Compatible Parts



TE Part # 58529-1
PRO-CRIMPER III TOOL AMPSEAL



TE Part # 58529-2
PROCRIMP DIE AMPSEAL



TE Part # 2217748-1
CCII AMPSEAL CONT 20-16 ASSY

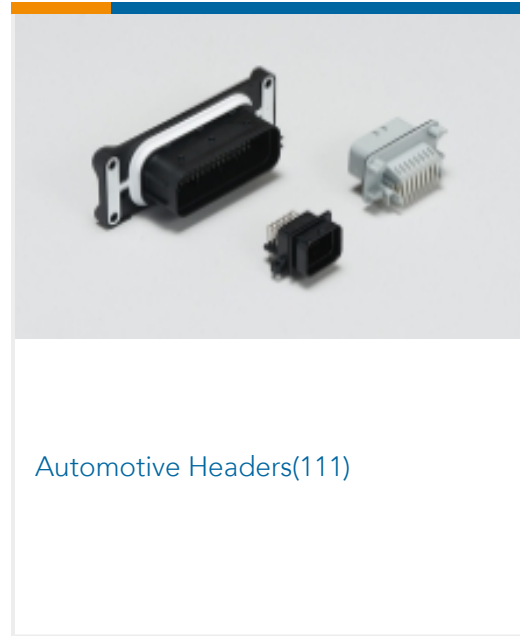


TE Part # CAT-AM78-CH8172
AMPSEAL HOUSINGS

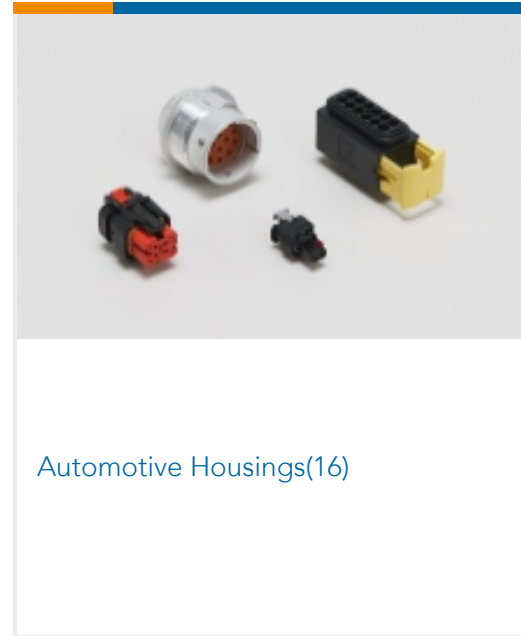
Also in the Series | AMPSEAL



Automotive Connector Caps & Covers (5)



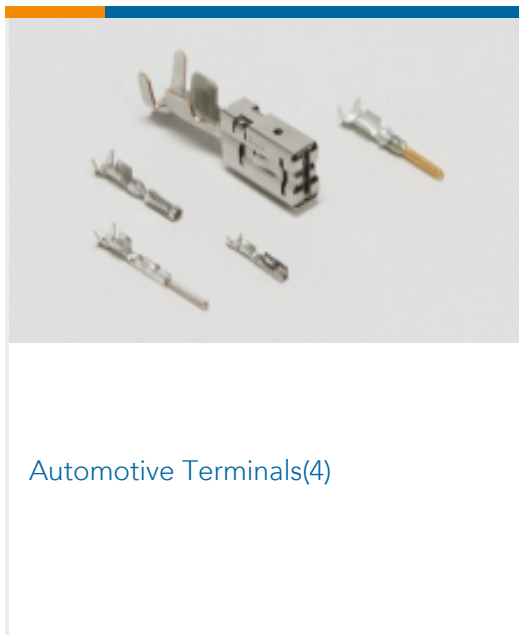
Automotive Headers(111)



Automotive Housings(16)



Automotive Seals & Cavity Plugs(1)



Automotive Terminals(4)

Customers Also Bought



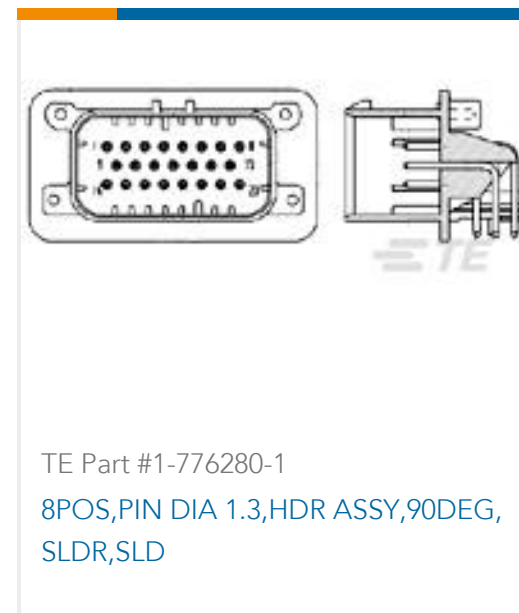
TE Part #58529-1
PRO-CRIMPER III TOOL AMPSEAL



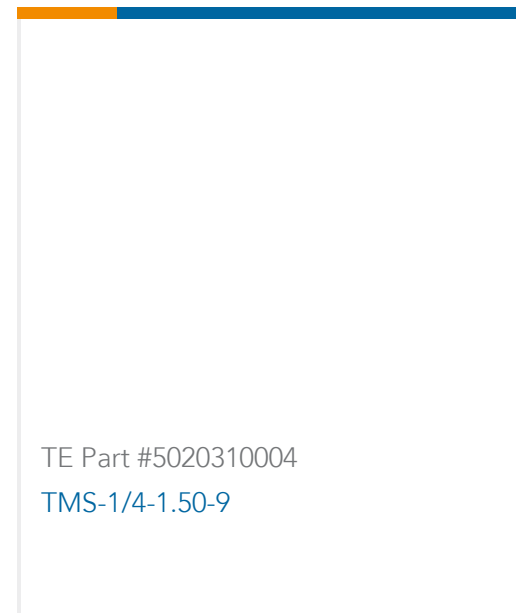
TE Part #539635-1
ERGO HAND TOOL FRAME-NO DIES



TE Part #293736-1
8 pos. coverpart (kit) for P/N 794617-8



TE Part #1-776280-1
8POS,PIN DIA 1.3,HDR ASSY,90DEG,SLDR,SLD



Documents

Product Drawings

[CONTACT, AMPSEAL SN/LP](#)

English

CAD Files

Customer View Model

[ENG_CVM_770854-1_O1.3d_igs.zip](#)

English

Customer View Model

[ENG_CVM_770854-1_O1.3d_stp.zip](#)

English

Customer View Model

[ENG_CVM_770854-1_O1.2d_dxf.zip](#)

English

[3D PDF](#)

English

By downloading the CAD file I accept and agree to the [Terms and Conditions](#) of use.

Datasheets & Catalog Pages

[AMPSEAL Connector Catalog](#)

English

[ICT Terminals and Connectors Catalogue](#)

English

[CONNECTOR SELECTOR](#)

English

Product Specifications

[Application Specification](#)

English

Product Environmental Compliance

[Product Compliance](#)

English

[Product Compliance](#)

English

770854-1

AMPSEAL, Automotive Terminals, Socket, Pin Diameter 1.3 mm [.051 in], Terminal
Transmits 0 – 24 A (Low Power), 20 – 15AWG Wire Size

