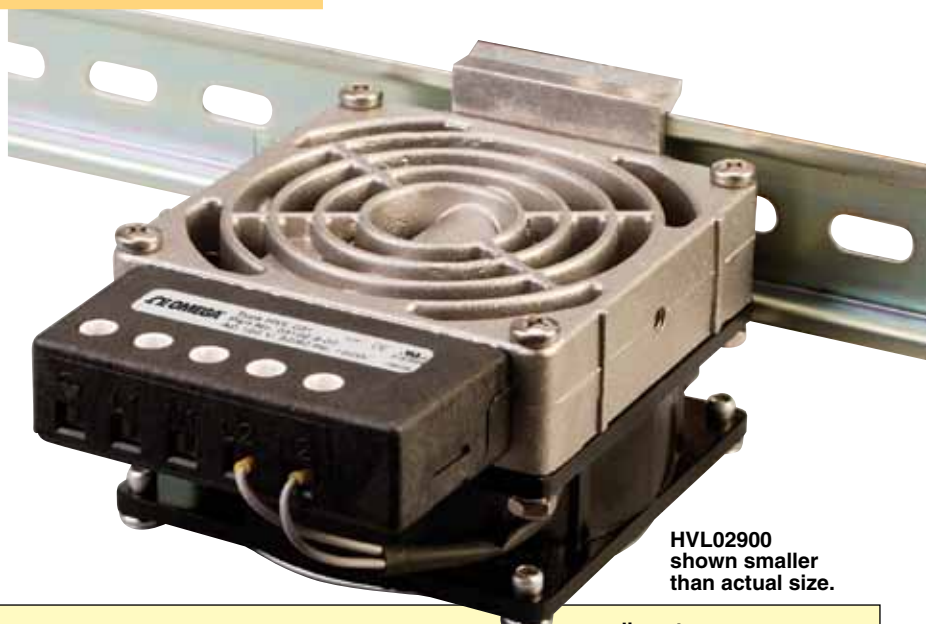


COMPACT FAN HEATER

HVL Series



- ✓ Small, Compact Size Fan Heater
- ✓ Built-In Overheat Protection
- ✓ DIN Rail Mountable
- ✓ Maintains Minimum Operating Temperatures in Enclosures
- ✓ Helps to Prevent Failure of Electronic Components Caused by Condensation and Corrosion



HVL02900 shown smaller than actual size.

This compact heater is designed for many different applications including electrical and electronic enclosures, display panels, access and parking control systems and personnel booths.

To determine the required heater size follow this equation:

$$PH = (A \times \Delta T \times k) - P_v$$

PH = Required heating power for your application in Watts (W)

P_v = Heating power generated by existing components (e.g. a transformer) in Watts (W)

A = Exposed enclosure surface area square meters (m²)

ΔT = Temperature differential between the desired minimum interior temperature and lowest possible external temperature of the enclosure in Kelvin (K), 1.8°F = 1°C = 1K

k = Heat transmission coefficient of the enclosure material used:
 Stainless Steel: 3.7 W/m²K
 Painted Steel: 5.5 W/m²K
 Aluminum: 12 W/m²K
 Polyester/Plastic: 3.5 W/m²K

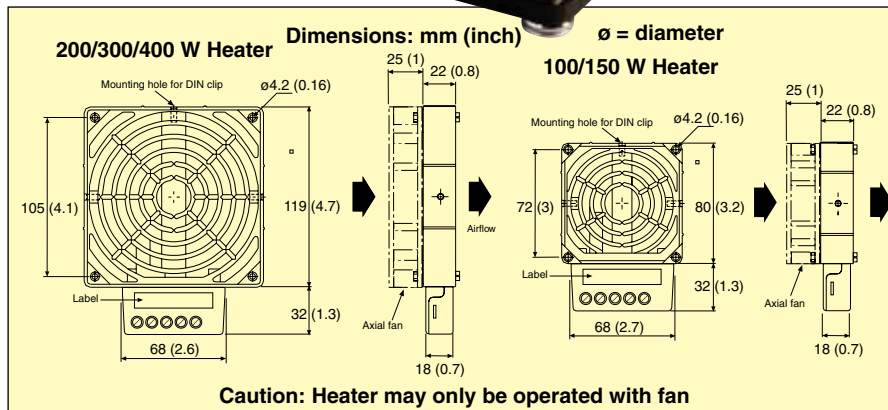
For outdoor applications it is recommended to double the heating power.

Specifications

Operating Voltage: 120 Vac

Wattage:

- HVL02900: 100 W
- HVL03900: 150 W
- HVL13900: 200 W
- HVL14900: 300 W
- HVL15900: 400 W



Heating Element: Resistance type cartridge heater

Heat Sink: Die-cast aluminum, glass bead finish

Required Fan Size (Included):

100/150 W: 80 x 80 x 25 mm (3.1 x 3.1 x 0.98")

Min Air Flow: 35 m³/h (115 ft³/h) (20 cfm)

200/300/400 W: 120 x 120 x 25 mm (4.7 x 4.7 x 0.98")

Min Air Flow: 108 m³/h (354 ft³/h) (63 cfm)

Overheat Protection: Built-in temperature limiter

Air Exit Temperature: Approx. 45°C (113°F) 50 mm (2") above heater

Wiring Compartment: Plastic UL 94V-0

Connection (Heater): 3-pole terminal, AWG 14 max [2.5 mm² (0.10 in²)]

Connection (Axial Fan): 2-pole terminal (L2/N2), AWG 14 max [2.5 mm² (0.10 in²)]

Mounting: Clip for 35 mm (1.4") DIN rail (EN 50022)

Protection Class: I (grounded)

Protection Type: NEMA 2 (IP20)

Weight (with Fan):

100/150 W: 600 g (1.3 lb)

200/300/400 W: 900 g (2.0 lb)

To Order	
Model No.	Description
HVL02900	Fan heater, 100 W, 120 Vac
HVL03900	Fan heater, 150 W, 120 Vac
HVL13900	Fan heater, 200 W, 120 Vac
HVL14900	Fan heater, 300 W, 120 Vac
HVL15900	Fan heater, 400 W, 120 Vac

Comes complete with operator's manual, mounting kit and axial fan.

Ordering Examples: HVL02900, fan heater, 100 W, 120 Vac.

HVL14900, fan heater, 300 W, 120 Vac.