

SCREW PLUG IMMERSION HEATERS CLEAN WATER APPLICATIONS

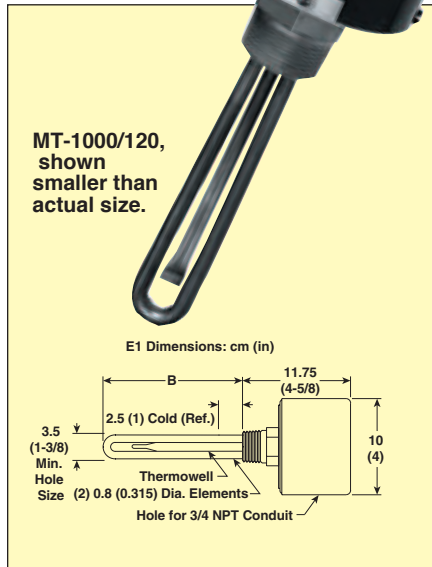
MT Series
Starts at



- ✓ 1 NPT Brass Screw Plug
- ✓ Copper Sheath Element
- ✓ High Watt Density (64 to 86 W/in²)
- ✓ 0.75 to 3 kW
- ✓ Without Thermostat
- ✓ 120 and 240V, 1 Phase
- ✓ General Purpose or Moisture-Resistant/Explosion-Resistant Terminal Enclosure

SPECIFICATIONS

Wattage: 0.75 to 3 kW
Power: 120 or 240V, 1 phase
Watt Density: 64 to 86 W/in²
Screw Plug: 1 NPT brass screw plug
Enclosures: E1 general purpose, NEMA 1 rated, or type E2 moisture-resistant/explosion-resistant enclosure.²



Note: This immersion heater should be used with an approved temperature control device to assure safe operation.

MOST POPULAR MODELS HIGHLIGHTED!

To Order (Specify Model Number)

kW	Volts	W/in ²	No. Htg. Elem.	E1 General Purpose Enclosure ¹			E2 Moisture Resis/Explosion Resis. ²		
				Dim. B cm (in)	Model No.	Wt. kg (lb)	Model No.	Wt. kg (lb)	
0.75	120	64	1	16 (6 ⁵ / ₁₆)	MT-750/*	0.9 (2)	MT-750E2/*	2.3 (5)	
0.75	240	64	1	16 (6 ⁵ / ₁₆)	MT-750/*	0.9 (2)	MT-750E2/*	2.3 (5)	
1	120	85	1	16 (6 ⁵ / ₁₆)	MT-1000/*	0.9 (2)	MT-1000E2/*	2.3 (5)	
1	240	85	1	16 (6 ⁵ / ₁₆)	MT-1000/*	0.9 (2)	MT-1000E2/*	2.3 (5)	
1.25	120	83	1	20 (8 ¹ / ₁₆)	MT-1250/*	0.9 (2)	MT-1250E2/*	2.3 (5)	
1.25	240	83	1	20 (8 ¹ / ₁₆)	MT-1250/*	0.9 (2)	MT-1250E2/*	2.3 (5)	
1.5	120	86	1	23.5 (9 ¹ / ₄)	MT-1500/*	0.9 (2)	MT-1500E2/*	2.3 (5)	
1.5	240	86	1	23.5 (9 ¹ / ₄)	MT-1500/*	0.9 (2)	MT-1500E2/*	2.3 (5)	
2	120	83	1	31 (12 ¹ / ₄)	MT-2000/*	0.9 (2)	MT-2000E2/*	2.3 (5)	
2	240	83	1	31 (12 ¹ / ₄)	MT-2000/*	0.9 (2)	MT-2000E2/*	2.3 (5)	
2.5	120	79	1	41 (16 ¹ / ₄)	MT-2500/*	0.9 (2)	MT-2500E2/*	2.3 (5)	
2.5	240	79	1	41 (16 ¹ / ₄)	MT-2500/*	0.9 (2)	MT-2500E2/*	2.3 (5)	
3	120	78	1	50 (19 ³ / ₈)	MT-3000/*	1.4 (3)	MT-3000E2/*	2.7 (6)	
3	240	78	1	50 (19 ³ / ₈)	MT-3000/*	1.4 (3)	MT-3000E2/*	2.7 (6)	

* Designate voltage, i.e., "120" for 120 Vac or "240" for 240 Vac.

¹ Heaters with general purpose enclosures are UL Listed and CSA certified.

² Heaters with moisture-resistant/explosion-resistant enclosures are CSA NRTL/C certified and are not intended for use in hazardous areas.

Ordering Example: MT-750/240, 0.75 kW heater powered by 240 Vac.



UNITED STATES

www.omega.com
1-800-TC-OMEGA
Stamford, CT.

CANADA

www.omega.ca
Laval(Quebec)
1-800-TC-OMEGA

GERMANY

www.omega.de
Deckenpfronn, Germany
0800-8266342

UNITED KINGDOM

www.omega.co.uk
Manchester, England
0800-488-488

FRANCE

www.omega.fr
Guyancourt, France
088-466-342

CZECH REPUBLIC

www.omegaeng.cz
Karviná, Czech Republic
596-311-899

BENELUX

www.omega.nl
Amstelveen, NL
0800-099-33-44



More than 100,000 Products Available!

• Temperature

Calibrators, Connectors, General Test and Measurement Instruments, Glass Bulb Thermometers, Handheld Instruments for Temperature Measurement, Ice Point References, Indicating Labels, Crayons, Cements and Lacquers, Infrared Temperature Measurement Instruments, Recorders Relative Humidity Measurement Instruments, RTD Probes, Elements and Assemblies, Temperature & Process Meters, Timers and Counters, Temperature and Process Controllers and Power Switching Devices, Thermistor Elements, Probes and Assemblies, Thermocouples Thermowells and Head and Well Assemblies, Transmitters, Wire

• Flow and Level

Air Velocity Indicators, Doppler Flowmeters, Level Measurement, Magnetic Flowmeters, Mass Flowmeters, Pitot Tubes, Pumps, Rotameters, Turbine and Paddle Wheel Flowmeters, Ultrasonic Flowmeters, Valves, Variable Area Flowmeters, Vortex Shedding Flowmeters

• pH and Conductivity

Conductivity Instrumentation, Dissolved Oxygen Instrumentation, Environmental Instrumentation, pH Electrodes and Instruments, Water and Soil Analysis Instrumentation

• Data Acquisition

Auto-Dialers and Alarm Monitoring Systems, Communication Products and Converters, Data Acquisition and Analysis Software, Data Loggers Plug-in Cards, Signal Conditioners, USB, RS232, RS485 and Parallel Port Data Acquisition Systems, Wireless Transmitters and Receivers

• Pressure, Strain and Force

Displacement Transducers, Dynamic Measurement Force Sensors, Instrumentation for Pressure and Strain Measurements, Load Cells, Pressure Gauges, Pressure Reference Section, Pressure Switches, Pressure Transducers, Proximity Transducers, Regulators, Strain Gages, Torque Transducers, Valves

• Heaters

Band Heaters, Cartridge Heaters, Circulation Heaters, Comfort Heaters, Controllers, Meters and Switching Devices, Flexible Heaters, General Test and Measurement Instruments, Heater Hook-up Wire, Heating Cable Systems, Immersion Heaters, Process Air and Duct, Heaters, Radiant Heaters, Strip Heaters, Tubular Heaters