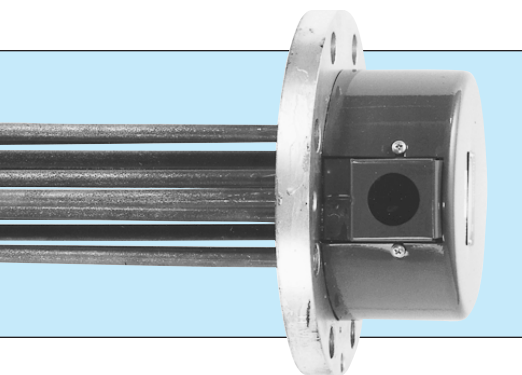


# LIGHTWEIGHT OIL FLANGED IMMERSION HEATERS

TMO



- 3 to 80 kW
- Low Watt Density, 23 W/in<sup>2</sup>
- Rugged Steel Sheath
- U.L. Component Recognized with General Purpose Enclosure
- For Low Viscosity Oil

**MOST POPULAR MODELS HIGHLIGHTED!**

## To Order (Specify Model Number)

kW	Circ.	Dim. B in (cm)	Wt. lb (kg)	E-1 General Purpose Encl. <sup>1</sup>		E-2 Moisture Tight/Explosion Res. Encl. <sup>2</sup>		Dim. N in (cm)
				Model No.	Price	Model No.	Price	
<b>3 Inch-150 lbs. Steel Flange, 3 Steel Sheath Elements — 23 W/in<sup>2</sup></b>								
3	1	18 <sup>1</sup> / <sub>16</sub> (46)	16 (7)	TMO-3035/240/*		1 (3)	TMO-3035E2/240/*	¾ (2)
3	1	18 <sup>1</sup> / <sub>16</sub> (46)	16 (7)	TMO-3035/480/*		1 (3)	TMO-3035E2/480/*	¾ (2)
4.5	1	25 <sup>3</sup> / <sub>16</sub> (64)	17 (8)	TMO-3045/240/*		1 (3)	TMO-3045E2/240/*	¾ (2)
4.5	1	25 <sup>3</sup> / <sub>16</sub> (64)	17 (8)	TMO-3045/480/*		1 (3)	TMO-3045E2/480/*	¾ (2)
6	1	33 <sup>1</sup> / <sub>16</sub> (84)	18 (8)	TMO-3065/240/*		1 (3)	TMO-3065E2/240	¾ (2)
6	1	33 <sup>1</sup> / <sub>16</sub> (84)	18 (8)	TMO-3065/480/*		1 (3)	TMO-3065E2/240/3P	¾ (2)
9	1	48 <sup>1</sup> / <sub>16</sub> (122)	21 (10)	TMO-3095/240/*		1 (3)	TMO-3095E2/240	¾ (2)
9	1	48 <sup>1</sup> / <sub>16</sub> (122)	21 (10)	TMO-3095/480/*		1 (3)	TMO-3095E2/240/3P	¾ (2)

† U.L. Listed

/\* Add the suffix "3P" to the model number for 3-phase power.

/\*\* Designate voltage, insert "240V" for 240 Vac or "480V" for 480 Vac.

Note: Larger flange sizes and kW ratings are available.

Ordering Examples: Model TMO-3035/240 is a 3 kW heater powered by 3 phase 240 VAC

Model TMO-6065/240/3P, is a 6 kW heater powered by 3 phase 240 VAC.

<sup>1</sup>Heaters with General Purpose and Moisture Resistant Enclosures are UL Listed and CSA Certified. <sup>2</sup>Heaters with Explosion Resistant Enclosures are CSA NRTL/C certified and are not intended for use in hazardous areas.

**MOST POPULAR MODELS HIGHLIGHTED!**

kW	Circ. & Ph.	Dim. B in (cm)	Wt. lbs. (kg)	General Purpose Encl. <sup>1</sup>		Dim. N in (cm)	E-3 Explosion Res. Encl. <sup>2</sup>		Dim. N in (cm)	E-4 Moisture Res. Encl. <sup>1</sup>		Dim N in (cm)
				Model No.	Price		Model No.	Price		Model No.	Price	
<b>5 Inch-150 Lb. Steel Flange, 6 Steel Sheath Elements — 23 W/in<sup>2</sup></b>												
6	1-3	18 <sup>1</sup> / <sub>16</sub> (46)	27 (12)	†TMO-6065/**/3P		1 (3)	TMO-6065E3/**/3P	\$2400	1½ (4)	TMO-6065E4/**/3P		1 (3)
7.5	1-3	19 <sup>1</sup> / <sub>16</sub> (50)	30 (14)	†TMO-6075/**/3P		1 (3)	TMO-6075E3/**/3P	2450	1½ (4)	TMO-6075E4/**/3P		1 (3)
9	1-3	25 <sup>3</sup> / <sub>16</sub> (64)	32 (15)	†TMO-6095/**/3P		1 (3)	TMO-6095E3/**/3P	2600	1½ (4)	TMO-6095E4/**/3P		1 (3)
12	1-3	33 <sup>1</sup> / <sub>16</sub> (84)	33 (15)	†TMO-6125/**/3P		1 (3)	TMO-6125E3/**/3P	2750	1½ (4)	TMO-6125E4/**/3P		1 (3)
15	1-3	40 <sup>1</sup> / <sub>16</sub> (103)	35 (16)	†TMO-6155/**/3P		1 (3)	TMO-6155E3/**/3P	2950	1½ (4)	TMO-6155E4/**/3P		1 (3)
20	2-3	52 <sup>1</sup> / <sub>16</sub> (132)	38 (17)	†TMO-6205/240/3P		1 (3)	TMO-6205E3/240/3P	3200	1½ (4)	TMO-6205E4/240/3P		1 (3)
20	1-3	52 <sup>1</sup> / <sub>16</sub> (132)	38 (17)	†TMO-6205/480/3P		1 (3)	TMO-6205E3/480/3P	3200	1½ (4)	TMO-6205E4/480/3P		1 (3)
25	2-3	65 <sup>1</sup> / <sub>16</sub> (165)	42 (19)	TMO-6255/240/3P		1 (3)	TMO-6255E3/240/3P	3500	1½ (4)	TMO-6255E4/240/3P		1 (3)
25	1-3	65 <sup>1</sup> / <sub>16</sub> (165)	42 (19)	TMO-6255/480/3P		1 (3)	TMO-6255E3/480/3P	3500	1½ (4)	TMO-6255E4/480/3P		1 (3)
30	2-3	78 <sup>1</sup> / <sub>16</sub> (198)	46 (21)	TMO-6305/240/3P		1 (3)	TMO-6305E3/240/3P	3750	1½ (4)	TMO-6305E4/240/3P		1 (3)
30	1-3	78 <sup>1</sup> / <sub>16</sub> (198)	46 (21)	TMO-6305/480/3P		1 (3)	TMO-6305E3/480/3P	3750	1½ (4)	TMO-6305E4/480/3P		1 (3)
<b>6 Inch-150 Lb. Steel Flange, 12 Steel Sheath Elements — 23 W/in<sup>2</sup></b>												
18	2-3	25 <sup>3</sup> / <sub>16</sub> (64)	67 (30)	TMO-1218/240/3P		1 (3)	TMO-1218E3/240/3P	\$4250	1½ (4)	TMO-1218E4/240/3P		1½ (4)
18	2-3	25 <sup>3</sup> / <sub>16</sub> (64)	67 (30)	TMO-1218/480/3P		1 (3)	TMO-1218E3/480/3P	4250	1½ (4)	TMO-1218E4/480/3P		1½ (4)
24	2-3	33 (84)	76 (34)	TMO-1224/240/3P		2 (5)	TMO-1224E3/240/3P	4600	1½ (4)	TMO-1224E4/240/3P		1½ (4)
24	2-3	33 (84)	76 (34)	TMO-1224/480/3P		1 (3)	TMO-1224E3/480/3P	4600	1½ (4)	TMO-1224E4/480/3P		1½ (4)
30	2-3	40 <sup>1</sup> / <sub>2</sub> (103)	84 (38)	TMO-1230/240/3P		2 (5)	TMO-1230E3/240/3P	4950	1½ (4)	TMO-1230E4/240/3P		1½ (4)
30	2-3	40 <sup>1</sup> / <sub>2</sub> (103)	84 (38)	TMO-1230/480/3P		1 (3)	TMO-1230E3/480/3P	4950	1½ (4)	TMO-1230E4/480/3P		1½ (4)
36	2-3	48 (122)	111 (50)	TMO-1236/240/3P		2 (5)	TMO-1236E3/240/3P	5300	1½ (4)	TMO-1236E4/240/3P		1½ (4)
36	2-3	48 (122)	111 (50)	TMO-1236/480/3P		1 (3)	TMO-1236E3/480/3P	5300	1½ (4)	TMO-1236E4/480/3P		1½ (4)
<b>8 Inch-150 Lb. Steel Flange, 18 Steel Sheath Elements — 23 W/in<sup>2</sup></b>												
30	3-3	32 <sup>1</sup> / <sub>8</sub> (84)	112 (51)	TMO-1830R1/**/3P		1 (3)	TMO-1830R1E3/**/3P	\$6550	¾ (2)	TMO-1830R1E4/**/3P		1½ (4)
40	3-3	43 <sup>3</sup> / <sub>16</sub> (111)	125 (57)	TMO-1840R1/**/3P		1 (3)	TMO-1840R1E3/**/3P	6550	¾ (2)	TMO-1840R1E4/**/3P		1½ (4)
50	3-3	51 <sup>1</sup> / <sub>8</sub> (132)	130 (59)	TMO-1850R1/240/3P		1 (3)	TMO-1850R1E3/240/3P	7800	1 (3)	TMO-1850R1E4/240/3P		1½ (4)
50	3-3	51 <sup>1</sup> / <sub>8</sub> (132)	130 (59)	TMO-1850R1/480/3P		1 (3)	TMO-1850R1E3/480/3P	7800	¾ (2)	TMO-1850R1E4/480/3P		1½ (4)
80	3-3	78 <sup>1</sup> / <sub>8</sub> (200)	147 (67)	TMO-1880R1/240/3P		1½ (3)	TMO-1880R1E3/240/3P	8500	1½ (3)	TMO-1880R1E4/240/3P		1½ (4)
80	3-3	78 <sup>1</sup> / <sub>8</sub> (200)	147 (67)	TMO-1880R1/480/3P		1 (3)	TMO-1880R1E3/480/3P	8500	¾ (2)	TMO-1880R1E4/480/3P		1½ (4)

F



#### UNITED STATES

[www.omega.com](http://www.omega.com)  
1-800-TC-OMEGA  
Stamford, CT.

#### CANADA

[www.omega.ca](http://www.omega.ca)  
Laval(Quebec)  
1-800-TC-OMEGA

#### GERMANY

[www.omega.de](http://www.omega.de)  
Deckenpfronn, Germany  
0800-8266342

#### UNITED KINGDOM

[www.omega.co.uk](http://www.omega.co.uk)  
Manchester, England  
0800-488-488

#### FRANCE

[www.omega.fr](http://www.omega.fr)  
Guyancourt, France  
088-466-342

#### CZECH REPUBLIC

[www.omegaeng.cz](http://www.omegaeng.cz)  
Karviná, Czech Republic  
596-311-899

#### BENELUX

[www.omega.nl](http://www.omega.nl)  
Amstelveen, NL  
0800-099-33-44



## More than 100,000 Products Available!

### • Temperature

Calibrators, Connectors, General Test and Measurement Instruments, Glass Bulb Thermometers, Handheld Instruments for Temperature Measurement, Ice Point References, Indicating Labels, Crayons, Cements and Lacquers, Infrared Temperature Measurement Instruments, Recorders Relative Humidity Measurement Instruments, RTD Probes, Elements and Assemblies, Temperature & Process Meters, Timers and Counters, Temperature and Process Controllers and Power Switching Devices, Thermistor Elements, Probes and Assemblies, Thermocouples Thermowells and Head and Well Assemblies, Transmitters, Wire

### • Flow and Level

Air Velocity Indicators, Doppler Flowmeters, Level Measurement, Magnetic Flowmeters, Mass Flowmeters, Pitot Tubes, Pumps, Rotameters, Turbine and Paddle Wheel Flowmeters, Ultrasonic Flowmeters, Valves, Variable Area Flowmeters, Vortex Shedding Flowmeters

### • pH and Conductivity

Conductivity Instrumentation, Dissolved Oxygen Instrumentation, Environmental Instrumentation, pH Electrodes and Instruments, Water and Soil Analysis Instrumentation

### • Data Acquisition

Auto-Dialers and Alarm Monitoring Systems, Communication Products and Converters, Data Acquisition and Analysis Software, Data Loggers Plug-in Cards, Signal Conditioners, USB, RS232, RS485 and Parallel Port Data Acquisition Systems, Wireless Transmitters and Receivers

### • Pressure, Strain and Force

Displacement Transducers, Dynamic Measurement Force Sensors, Instrumentation for Pressure and Strain Measurements, Load Cells, Pressure Gauges, Pressure Reference Section, Pressure Switches, Pressure Transducers, Proximity Transducers, Regulators, Strain Gages, Torque Transducers, Valves

### • Heaters

Band Heaters, Cartridge Heaters, Circulation Heaters, Comfort Heaters, Controllers, Meters and Switching Devices, Flexible Heaters, General Test and Measurement Instruments, Heater Hook-up Wire, Heating Cable Systems, Immersion Heaters, Process Air and Duct, Heaters, Radiant Heaters, Strip Heaters, Tubular Heaters