

TOUCH-SAFE HEATER 50 TO 150 W



- Low Surface Temperature
- Quick Mounting Due to DIN Rail Mountable
- Double Insulated (Plastic)
- Wide Voltage Range
- Small Size

Touch-safe heater for the use in enclosures with electrical/electronic components. The design of the heater supports the natural convection which results in a high air-current of warm air. The surface temperatures on the accessible side surfaces of the housing are kept down as a result of the heater design. Our complete range of thermostats and hygrometers can directly be connected to the heater CS060. This heater is also available in a version with plug-in thermostat requiring no additional wiring (CSF060). Both versions are designed for permanent operation.



CS0600, shown larger than actual size.

SPECIFICATIONS

Operating Voltage: 120 to 240 Vac/Vdc* (min 110V, max 265V)

Heating Capacity: See table

Heating Element: PTC resistor: temperature limiting

Surface Temperature: <80°C (176°F), except upper protective grille

Connection: 4-pole terminal 2.5 mm² (1.0 in²), torque 0.8 Nm max

Casing: Plastic according to UL94 V-0, black

Mounting: DIN clip for 35 mm (1.4") DIN rail, EN 50022

Fitting Position: Vertical Temperature

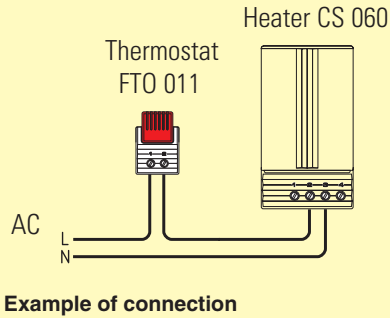
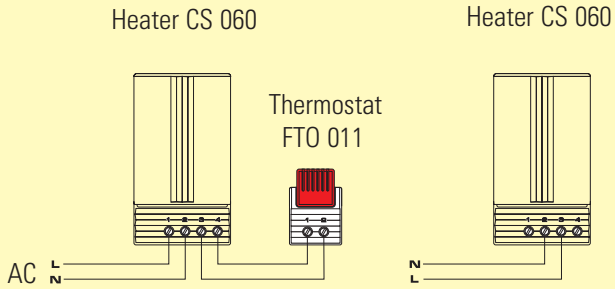
Operating: -20 to 70°C (-4 to 158°F)
Storage: -45 to 70°C (-49 to 158°F)

Protection Type/Protection Class: NEMA 2 (IP20)/II (double insulated)
Approvals: VDE

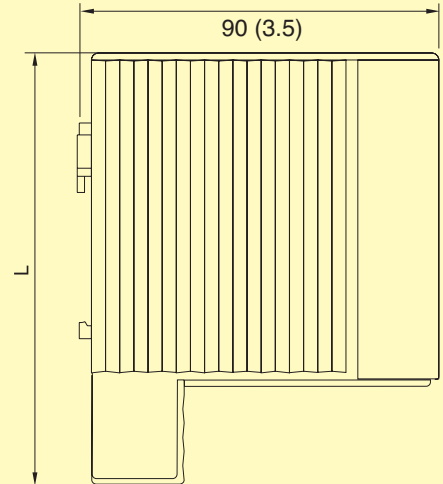
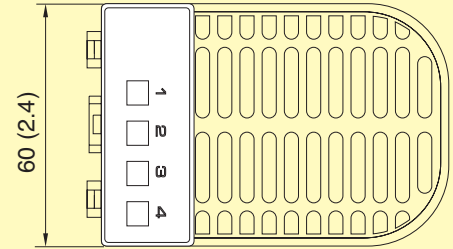
*Note: Other voltages on request
* Operating with voltages below 140 Vac/Vdc reduces heating performance by approximately 10%.*

Model No.	CS0600	CS0601	CS0602
Heating Capacity¹	50 W	100 W	150 W
Inrush Current Max	2.5 A	4.5 A	8 A
Air Outlet Temperature²	86°C (186.8°F)	120°C (248°F)	145°C (293°F)
Dimensions	110 x 60 x 90 mm (4.3 x 2.4 x 3.5")	110 x 60 x 90 mm (4.3 x 2.4 x 3.5")	150 x 60 x 90 mm (5.9 x 2.4 x 3.5")
Weight (Approx)	0.30 kg (10.6 oz)	0.30 kg (10.6 oz)	0.50 kg (17.6 oz)

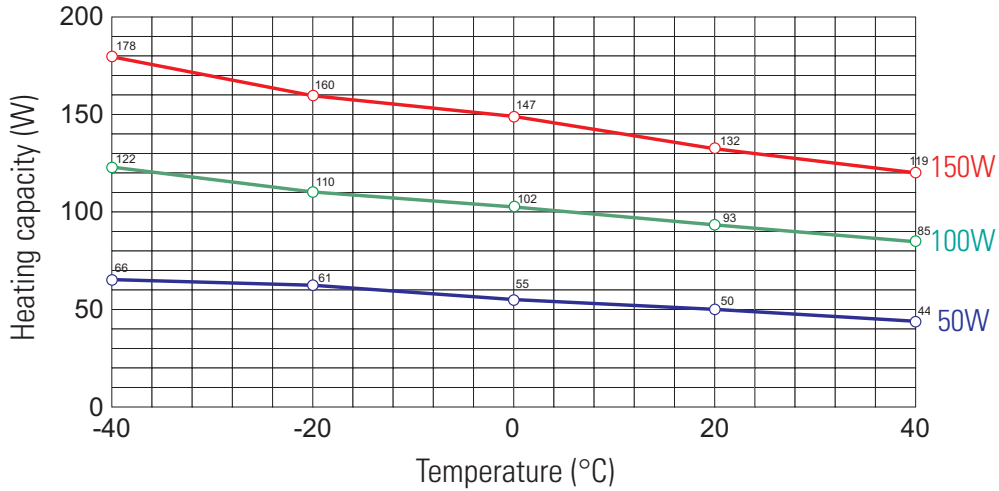
¹ Ambient temperature: See heating capacity/ambient temperature diagram
² Measured 50 mm (2") above protective grille



Dimensions:
mm (in)



Heating Capacity/Ambient Temperature



To Order (Specify Model Number)

AVAILABLE FOR FAST DELIVERY!

MODEL NO.	DESCRIPTION
CS0600	Enclosure heater, 50 W, 120 to 240 Vac/Vdc
CS0601	Enclosure heater, 100 W, 120 to 240 Vac/Vdc
CS0602	Enclosure heater, 150 W, 120 to 240 Vac/Vdc

Comes complete with operator's manual.
Ordering Example: CS0600, enclosure heater,



UNITED STATES

www.omega.com
1-800-TC-OMEGA
Stamford, CT.

CANADA

www.omega.ca
Laval(Quebec)
1-800-TC-OMEGA

GERMANY

www.omega.de
Deckenpfronn, Germany
0800-8266342

UNITED KINGDOM

www.omega.co.uk
Manchester, England
0800-488-488

FRANCE

www.omega.fr
Guyancourt, France
088-466-342

CZECH REPUBLIC

www.omegaeng.cz
Karviná, Czech Republic
596-311-899

BENELUX

www.omega.nl
Amstelveen, NL
0800-099-33-44



More than 100,000 Products Available!

• Temperature

Calibrators, Connectors, General Test and Measurement Instruments, Glass Bulb Thermometers, Handheld Instruments for Temperature Measurement, Ice Point References, Indicating Labels, Crayons, Cements and Lacquers, Infrared Temperature Measurement Instruments, Recorders Relative Humidity Measurement Instruments, RTD Probes, Elements and Assemblies, Temperature & Process Meters, Timers and Counters, Temperature and Process Controllers and Power Switching Devices, Thermistor Elements, Probes and Assemblies, Thermocouples Thermowells and Head and Well Assemblies, Transmitters, Wire

• Flow and Level

Air Velocity Indicators, Doppler Flowmeters, Level Measurement, Magnetic Flowmeters, Mass Flowmeters, Pitot Tubes, Pumps, Rotameters, Turbine and Paddle Wheel Flowmeters, Ultrasonic Flowmeters, Valves, Variable Area Flowmeters, Vortex Shedding Flowmeters

• pH and Conductivity

Conductivity Instrumentation, Dissolved Oxygen Instrumentation, Environmental Instrumentation, pH Electrodes and Instruments, Water and Soil Analysis Instrumentation

• Data Acquisition

Auto-Dialers and Alarm Monitoring Systems, Communication Products and Converters, Data Acquisition and Analysis Software, Data Loggers Plug-in Cards, Signal Conditioners, USB, RS232, RS485 and Parallel Port Data Acquisition Systems, Wireless Transmitters and Receivers

• Pressure, Strain and Force

Displacement Transducers, Dynamic Measurement Force Sensors, Instrumentation for Pressure and Strain Measurements, Load Cells, Pressure Gauges, Pressure Reference Section, Pressure Switches, Pressure Transducers, Proximity Transducers, Regulators, Strain Gages, Torque Transducers, Valves

• Heaters

Band Heaters, Cartridge Heaters, Circulation Heaters, Comfort Heaters, Controllers, Meters and Switching Devices, Flexible Heaters, General Test and Measurement Instruments, Heater Hook-up Wire, Heating Cable Systems, Immersion Heaters, Process Air and Duct, Heaters, Radiant Heaters, Strip Heaters, Tubular Heaters