



MHK5 | SSI ABSOLUTE MULTI-TURN ENCODER



Features

MHK510 encoder Ø58mm with SSI interface:

- Robust and compact conception
- Ø 15 mm blind shaft, reduction hubs available
- Precision ball bearings with sealing flange
- High temperatures performances -40°C ... +85°C
- Code disc made of unbreakable and durable plastic
- Mechanical memorisation of the number of turns by gears
- SSI transmission, GRAY code
- Resolution : 13 bits = 8192 steps/turn
- Number of turns : 12 bits = 4096 turns
- Polarity inversion and short circuit protection
- Highly integrated circuit in SMD-technology



SPECIFICATIONS

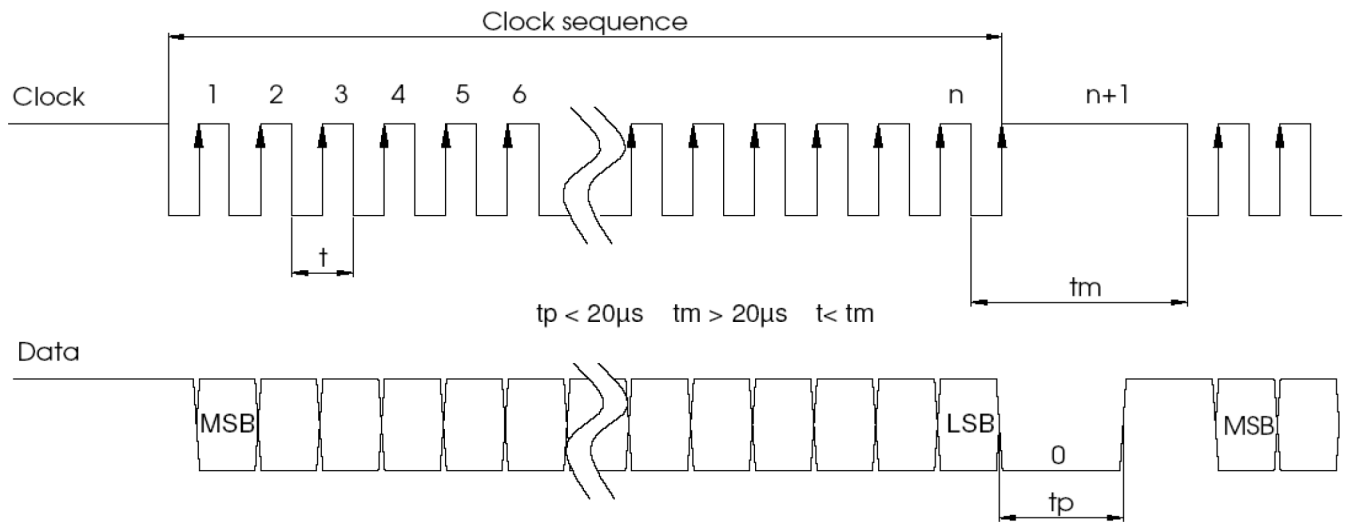
Material (Stainless Steel Option)	Cover: Aluminum Body: Aluminum Shaft: Stainless Steel
Max. Shaft Loading	Axial: 40 N Radial: 110 N
Shaft Inertia	≤ 30 g.cm ²
Torque	≤ 3 N.cm
RPM (continuous operation)	6,000 RPM
Shock (EN 60068-2-27)	≤ 100 g (halfsinus, 6 ms)
Shock (EN 60028-2-29)	≤ 10 g (half-sinus, 16ms)
Vibration (EN 60068-2-6)	≤ 10 g (10Hz... 1 000Hz)
Weight (Aluminum Version)	600 g
Operating Temperature	- 40 ... + 85°C
Storage Temperature	- 40 ... + 85°C
Humidity	98 % without condensation
Protection (EN 60529)	IP65

Electrical

Clock Input	via opto-coupleur
Data Output	line - driver according RS422
Clock Frequency	100kHz – 2MHz
Accuracy	+ ½ LSB
Supply Voltage	4,75 – 30Vdc
Cycle Time (Reset)	< 150 µs
Turn On Time	< 1 s
Power Consumption	max 1W
Electrical Lifetime	> 10 ⁵ h
EMC	EN 61000-6-4 EN 61000-6-2



SSI TRANSMISSION



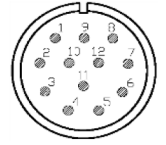
Driver	Driver meets EIA standard RS422 ; transmission rates up to 10 Mbits/s
Transfer	Transfert distance up to 1200m
Transmission	Balanced transmission provides high noise immunity
Pair Lines	Shielded and twisted pair lines are essential to attain extremely high noise immunity



ELECTRICAL CONNECTION ON M23 CONNECTOR, 12 PINOUTS

Type	CLK -	CLK +	DATA +	DATA -	DIRECTION	Reset	+ Ub 4,75- 30Vdc	GND
S1	1	2	3	4	8	9	11	12

Pinning Encoder
(Male)



INPUTS

Encoder counting direction for clockwise rotation (looking onto the shaft) - DIRECTION	
0 (input = NC or GND)	Up counting
1 (input = +Ub or $\geq 4,5V$)	Down counting

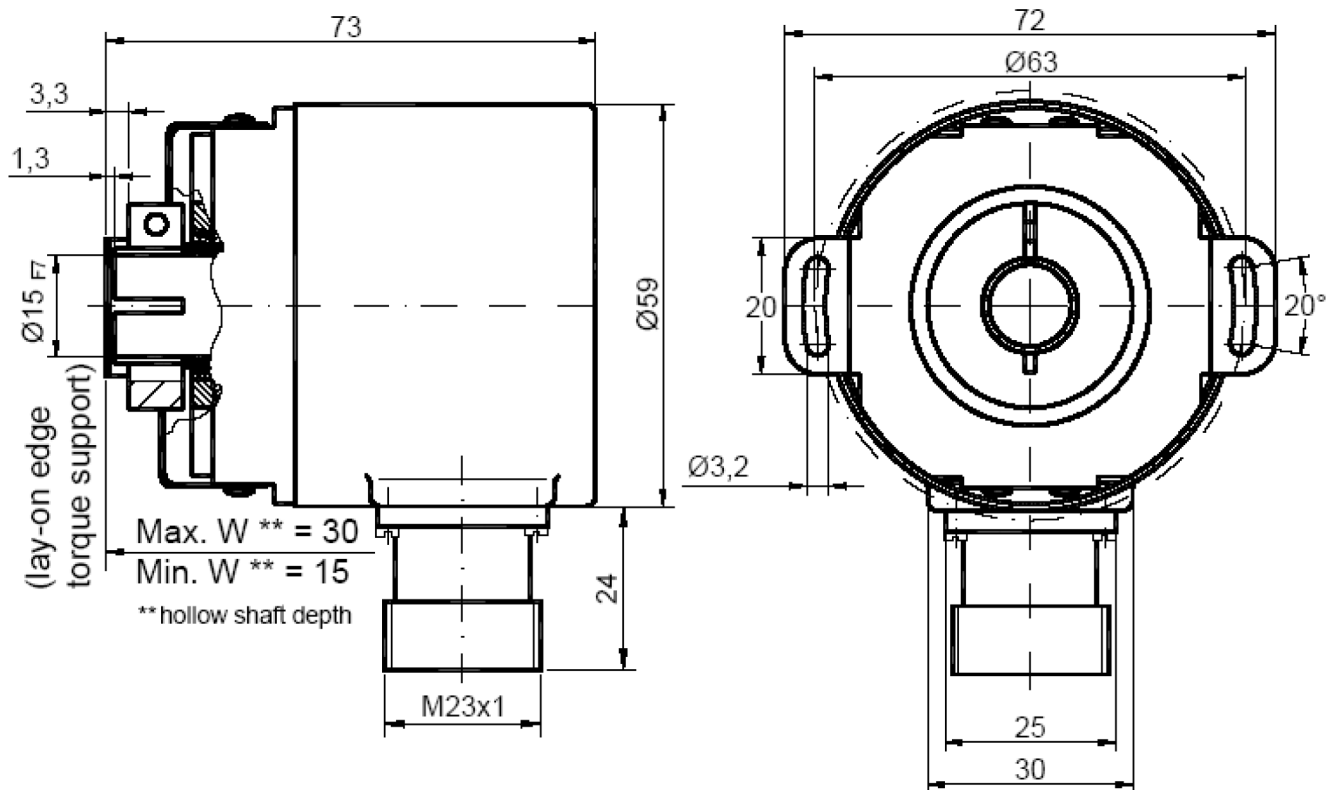
RESET of the position	
0 (input = NC or GND)	Position
1 (input = +Ub or $\geq 4,5V$)	Reset on down level (100ms)



DIMENSIONS

Dimensions in mm

MHK515-SSIR (radial 12 pinouts M23)



Allowed Shaft Movements	Axial	Radial
Static	± 0.3 mm	± 0.5 mm
Dynamic	± 0.1 mm	± 0.2 mm

Shaft diameter can be reduced to 12mm, 10mm or 8mm by reduction ring (by inserting them into the hollow shaft)



ORDERING OPTIONS

Example: MHK5-S1-01-G-12-13-B-15-0-PRL

Family	MHK5	S1	01	G	12	13	B	15	0	PRL
MHK5 Absolute multi turn encoder										
Reset Function		S1								
S1			01							
Version				G						
01					12					
Code						13				
G: Gray							B			
Number of Turns								15		
12: 2¹² (4096)									0	
Resolution (pos./turn)										PRL
13: 2¹³ (8192)										
Shaft										
B: Blind Shaft										
Shaft Diameter										
15: 15mm										
Mechanical Options										
0: Without mechanical options										
Connector										
PRL: Radial M23 connector										



AGENCY APPROVALS & CERTIFICATIONS



Revised 2/28/18

Sensata Technologies, Inc. ("Sensata") data sheets are solely intended to assist designers ("Buyers") who are developing systems that incorporate Sensata products (also referred to herein as "components"). Buyer understands and agrees that Buyer remains responsible for using its independent analysis, evaluation and judgment in designing Buyer's systems and products. Sensata data sheets have been created using standard laboratory conditions and engineering practices. Sensata has not conducted any testing other than that specifically described in the published documentation for a particular data sheet. Sensata may make corrections, enhancements, improvements and other changes to its data sheets or components without notice.

Buyers are authorized to use Sensata data sheets with the Sensata component(s) identified in each particular data sheet. HOWEVER, NO OTHER LICENSE, EXPRESS OR IMPLIED, BY ESTOPPEL OR OTHERWISE TO ANY OTHER SENSATA INTELLECTUAL PROPERTY RIGHT, AND NO LICENSE TO ANY THIRD PARTY TECHNOLOGY OR INTELLECTUAL PROPERTY RIGHT, IS GRANTED HEREIN. SENSATA DATA SHEETS ARE PROVIDED "AS IS". SENSATA MAKES NO WARRANTIES OR REPRESENTATIONS WITH REGARD TO THE DATA SHEETS OR USE OF THE DATA SHEETS, EXPRESS, IMPLIED OR STATUTORY, INCLUDING ACCURACY OR COMPLETENESS. SENSATA DISCLAIMS ANY WARRANTY OF TITLE AND ANY IMPLIED WARRANTIES OF MERCHANTABILITY, FITNESS FOR A PARTICULAR PURPOSE, QUIET ENJOYMENT, QUIET POSSESSION, AND NON-INFRINGEMENT OF ANY THIRD PARTY INTELLECTUAL PROPERTY RIGHTS WITH REGARD TO SENSATA DATA SHEETS OR USE THEREOF.

All products are sold subject to Sensata's terms and conditions of sale supplied at www.sensata.com SENSATA ASSUMES NO LIABILITY FOR APPLICATIONS ASSISTANCE OR THE DESIGN OF BUYERS' PRODUCTS. BUYER ACKNOWLEDGES AND AGREES THAT IT IS SOLELY RESPONSIBLE FOR COMPLIANCE WITH ALL LEGAL, REGULATORY AND SAFETY-RELATED REQUIREMENTS CONCERNING ITS PRODUCTS, AND ANY USE OF SENSATA COMPONENTS IN ITS APPLICATIONS, NOTWITHSTANDING ANY APPLICATIONS-RELATED INFORMATION OR SUPPORT THAT MAY BE PROVIDED BY SENSATA.

Mailing Address: Sensata Technologies, Inc., 529 Pleasant Street, Attleboro, MA 02703, USA.

CONTACT US

Americas
+1 (800) 350 2727 – Option 1
sales.beisensors@sensata.com
Europe, Middle East & Africa
+33 (3) 88 20 8080
position-info.eu@sensata.com
Asia Pacific
sales.isasia@list.sensata.com
China +86 (21) 2306 1500
Japan +81 (45) 277 7117
Korea +82 (31) 601 2004
India +91 (80) 67920890
Rest of Asia +886 (2) 27602006
ext 2808