

SENCITY® URBAN 100 1399.32.0004

Description

Outdoor MIMO 2x2 omnidirectional antenna for 4G and 5G frequency bands
2500-2690, 3300-3800, 3800-4200MHz.
Compact solution with very high isolation between ports to maximize MIMO performances.
Very low PIM.
With NEX10 connectors.



Product Configuration

Technical Data

Electrical Data

	Band 1	Band 2	Band 3
Frequency (MHz)	2500 - 2690	3300 - 3800	3800 - 4200
VSWR	2	2	2
Impedance (Ohm)	50	50	50
Gain (dBi)	2	2.5	2.5
3dB beamwidth (v) (°)	65	55	55
Composite power max (W)	100	70	60
Ambient temperature (°C)	70	70	70
Port Isolation (dB)	30	30	30

Ports

	Port 1	Port 2
Connector	NEX10, jack (female)	NEX10, jack (female)
Polarization	vertical	horizontal

Connections

	Band 1	Band 2	Band 3
Port 1	X	X	X
Port 2	X	X	X

General Data

IMD level -150 dBc at carrier power 2x 43dBm

Mechanical Data

Dimensions (mm) 96 x 117 (Height x Diameter)
Weight (kg) 0.42

Environmental Data

Environmental conditions indoor/outdoor
Operation temperature (°C) -45 to 70
IP rating IP66
2011/65/EU (RoHS - including 2015/863 and 2017/2102) compliant
Lead-free soldered yes
REACH 1907/2006/EC compliant

EN 300 019-2-4 4.1E:

Salt mist IEC60068-2-11 Ka:35°C/5%NaCl/10d

Damp heat (steady state) IEC60068-2-78 Cab 93% +30°C 10d, (cycle) IEC60068-2-30 Db 93%-100% +10°C 2cycles

Vibration: IEC60068-2-6 Fc (sinusoidal), IEC60068-2-64 Fh (random)

SENCITY® URBAN 100 1399.32.0004

Shocks IEC60068-2-27 Ea Type II and Type L
Wind load IEC 60721-3-3 with max wind speed 180Km/h

Material Data

Radome colour	RAL 7035 (light-grey)
Radome material	PC (Polycarbonate)

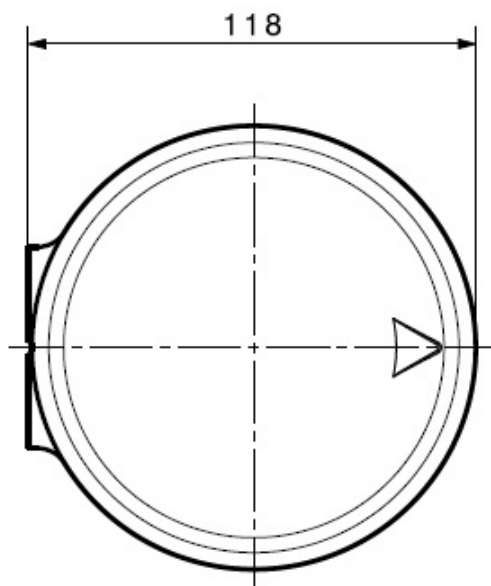
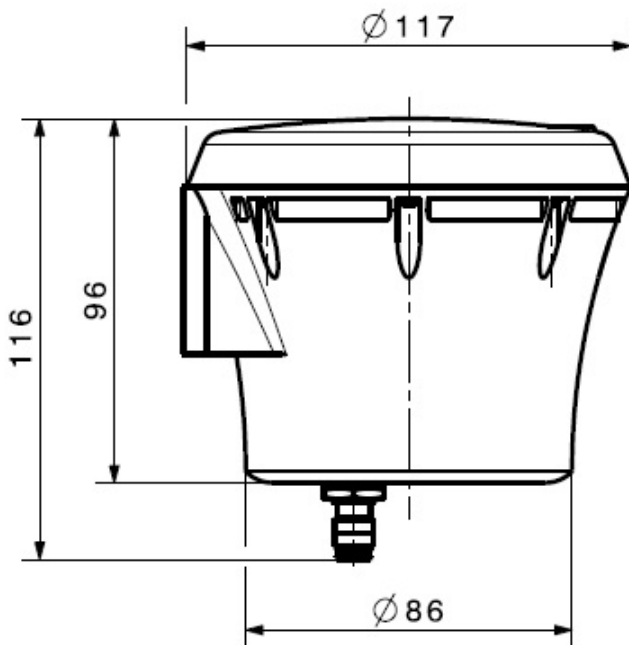
Related Products

9091.99.0274 SENCITY® Antenna down- and sidetilt Bracket
9091.99.0238 SPOT-S Antenna Down- and Sidetilt Bracket

Related Documents

Mounting instruction	DOC-0000833973
Outline drawing	DOU-00373495
3D-model	DOC-0000839419

Additional Information



SENCITY® URBAN 100
1399.32.0004