

370A-1 PIR Timer – Three wire

The 370A-1 PIR Timer is part of the Elkay family of switches, timers and detectors which save energy and increase convenience in and around your home or business premises.



Product description

The 370A-1 PIR 3 wire Timer can be used to provide energy saving functionality by timing power source off to avoid unnecessary power usage (neutral required). The unit is switched ON by the detection of moving body heat within its detection range. When body movement is no longer detected, the unit will switch OFF after the adjustable time has elapsed.

This intelligent unit has a lux level adjustment, which measures the ambient light levels and prevents the lighting being switched ON when there is enough light in the area. It also provides variable timing selection.

Typical Product usage

The 370A-1 PIR timer is commonly used to control all types of loads from lighting to heating and is particularly popular for use for controlling loads where the load is only required in people's presence. The product requires a neutral. Applications for suitable use include lighting such as LED lighting, LED floodlights, fluorescent and compact fluorescent, resistive and incandescent lighting, and heating appliances* in communal area corridors, stairwells, kitchens, en-suites, cupboard or storage rooms and temporary offices.

The product is a perfect retrofit option where a neutral is available and helps to prevent the spread of COVID and other infectious diseases where automatic touch free control is required.

Key features

- 16A any load type
- 3 wire (Live, Switch live and Neutral required)
- Blue Locator ring
- Re-set timing sequence at any time during countdown
- Manual override of the Lux Level setting
- Override OFF capability
- Can be interlinked with other 3 wire master or activators for 2-way switching***.
- 360° detection utilising an elliptical beam.
- 5 – 7 m detection range
- 16 Timer settings from 2 mins to 2 hours

Technical Specification

- **Voltage:** 240V a.c.
- **Frequency:** 50/60Hz
- **Timing:** 2 minutes to 2 hours
- **Detection Range:** 5-7m range with a 360° elliptical beam
- **Connections:** Live | Switch Live | Neutral |
- **Loading:** Up to 16A all load types**
- **Marking:** CE & UKCA
- **Terminal Capacity:** 2.5mm²
- **Standards:** BS EN 60669, 60669-1, 60669-2-1, 60669-2-3.
- **Power Consumption:** 0.65W
- **Material:** Flame Retardant ABS / UV Resistant
- **Compliances:** RoHS compliant, WEEE Policy, ISO9001, ISO14001.
- **Total Product Weight (each):** 167g
- **Total Plastic Weight (each):** 59.8g

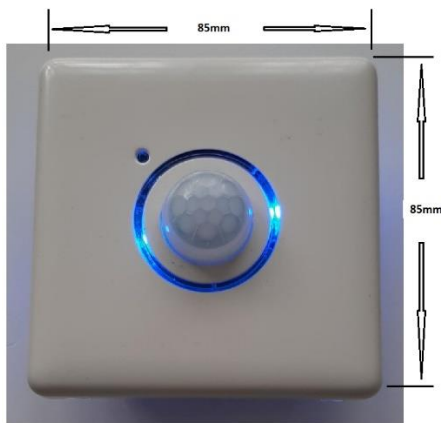
*When using PIRs with heating sources it is advisable to ensure that the PIR sensor is in a position where it will not be affected by the heat source and false trigger and stay on

**All load type switching means that all load types such as LED, Fluorescent, Compact fluorescent, Resistive and Induction can be switched at 16Amps (3680W) without the need to derate.

***Available Indoor Activator switches for this model is the 376A-3 Touch Activator. Please note a 3-core connection is required between Master and Activator.

Dimensions

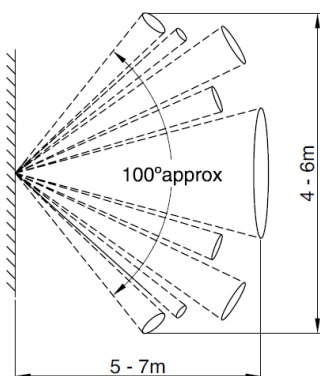
Front View



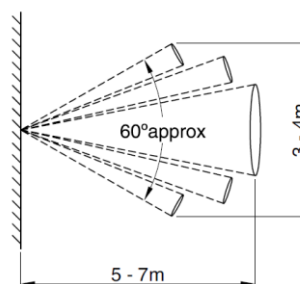
Side View

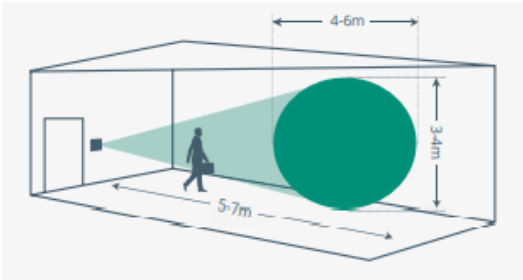


Plan View



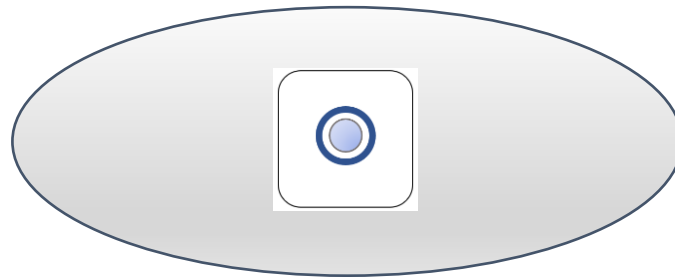
Side View





The elliptical beam gives 360° detection with a Plan view arc of 100° and Side view arc of 60° and detects infra red body heat passing or approaching the sensor.

Front View



Amendments Record

Action	Date
Draft Issue	22/06/2021