



Acoustic Signals

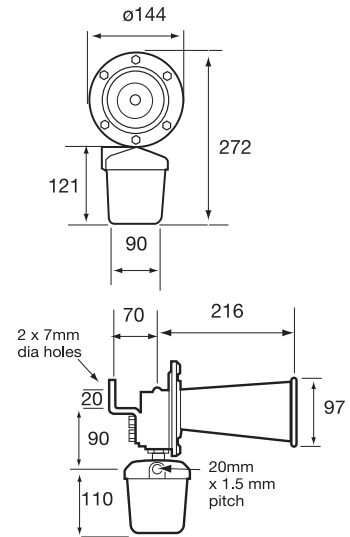
HOOTERS

Acoustic Signals Industrial Hooters > A1 Series

Product overview

The A1 is a powerful motor driven hooter giving the unique 'Klaxon' sound. The high output, low frequency resonating sound gives a powerful warning tone. With a sound output of 120dB,

it can cut through background noise in almost any environment and is ideal for use as a time signalling alarm or process alarm in the noisiest factory. In addition, the A1 can be used on barges, work boats and dock sides and for other similar marine applications.



Features

- Powerful, high output 120dB
- Robust construction
- Weatherproof to IP65

Material

- Die cast aluminium & zinc
- Mild steel
- ABS Plastic

Code No:	Voltage:	Frequency:	Current:
AHA1-2000	12v Dc ---	420 Hz	5.0 A
AHA1-2001	24v Dc ---	420 Hz	2.30 A
AHA1-2002	48v Dc ---	420 Hz	1.30 A
AHA1-2004	115v Ac ~	420 Hz	0.84 A
AHA1-2003	230v Dc ---	420 Hz	0.80 A
AHA1-2006	230v Ac ~	420 Hz	0.76 A



Kg 2.0

50/60 Hz

°C -35+66

IP 65

ON 2 MIN OFF 5 MIN

INDUSTRIAL

APPROVAL AND CONFORMITIES



dB 120

MARINE