

# Speaker

## 11mm × 15mm × 3mm

multicomp **PRO**

RoHS  
Compliant



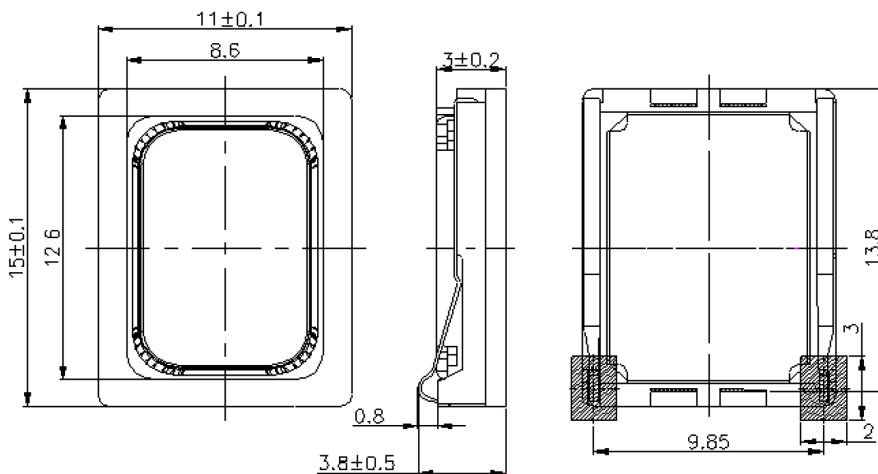
### Specifications

Rated Impedance	: $8\Omega \pm 15\%$
Rated Input Power	: 0.5W
Max. Input Power	: 1W
Resonant Frequency at 2Vrms/0.1m in 1cc box	: 600Hz $\pm 20\%$
Rated Frequency Range	: fo to 20,000 Hz
Sound pressure level at 2Vrms/0.1m at 2kHz	: 89dB $\pm 3$
Total harmonic distortion at 1kHz, 2rms/0.1m	: 10% Max.
Coil Resistance	: $7.2\Omega \pm 10\%$
Operating Temperature Range	: -20°C to +70°C
Storage Temperature Range	: -30°C to +80°C
Weight	: 1.5g

### Material

Frame	: PBT
Yoke and Plate	: SPCC
Diaphragm	: PEEK
Voice Coil	: Copper Wire
Magnet	: NdFeB
Front Cover	: PBT
Spring Terminal	: SUS

### Diagram



Dimensions : Millimetres

Newark.com/multicomp-pro  
Farnell.com/multicomp-pro  
Element14.com/multicomp-pro

multicomp **PRO**

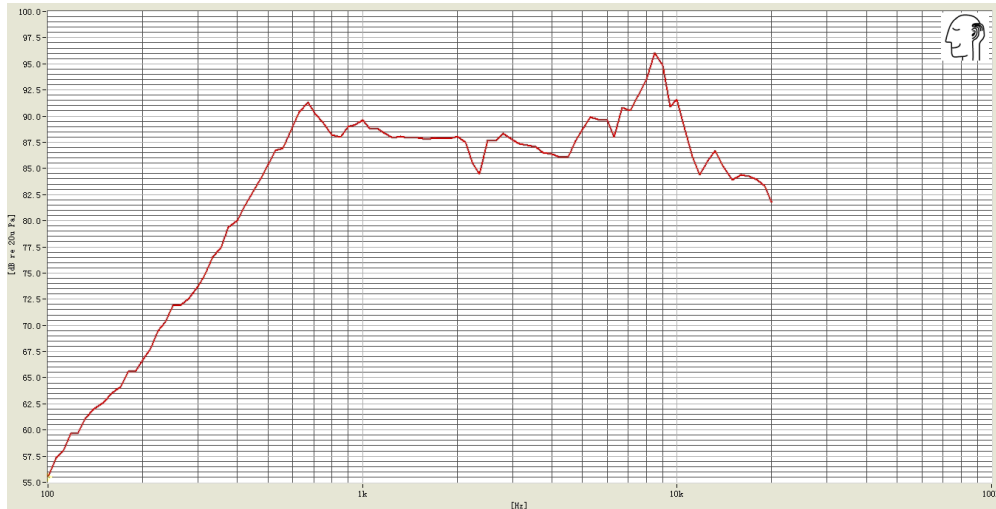
# Speaker

## 11mm × 15mm × 3mm

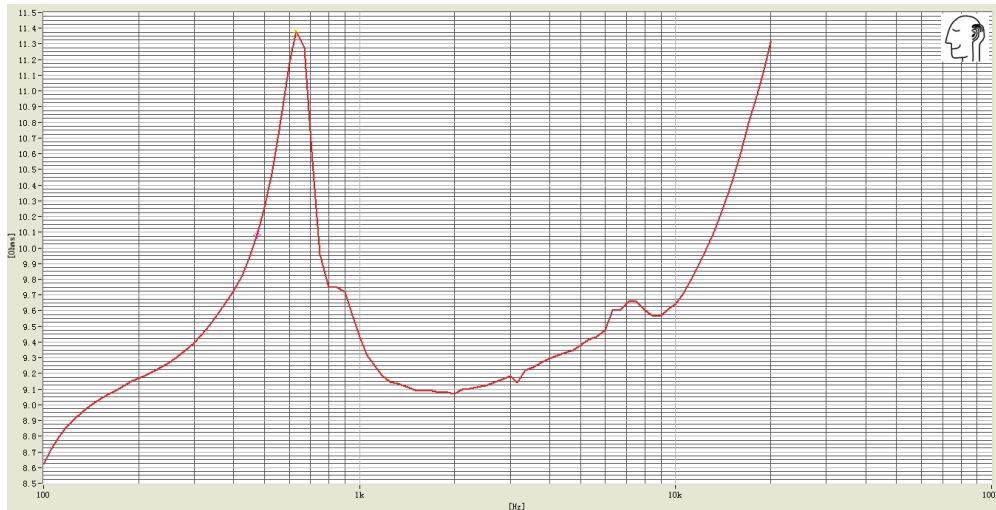


### Frequency Response Curve

2Vrms/10cm



2Vrms/10cm



### Part Number Table

Description	Part Number
Speaker, 11mm × 15mm × 3mm, 8Ω	ABS-238-RC

**Important Notice :** This data sheet and its contents (the "Information") belong to the members of the AVNET group of companies (the "Group") or are licensed to it. No licence is granted for the use of it other than for information purposes in connection with the products to which it relates. No licence of any intellectual property rights is granted. The Information is subject to change without notice and replaces all data sheets previously supplied. The Information supplied is believed to be accurate but the Group assumes no responsibility for its accuracy or completeness, any error in or omission from it or for any use made of it. Users of this data sheet should check for themselves the Information and the suitability of the products for their purpose and not make any assumptions based on information included or omitted. Liability for loss or damage resulting from any reliance on the Information or use of it (including liability resulting from negligence or where the Group was aware of the possibility of such loss or damage arising) is excluded. This will not operate to limit or restrict the Group's liability for death or personal injury resulting from its negligence. Multicomp Pro is the registered trademark of Premier Farnell Limited 2019.

Newark.com/multicomp-pro  
 Farnell.com/multicomp-pro  
 Element14.com/multicomp-pro

