
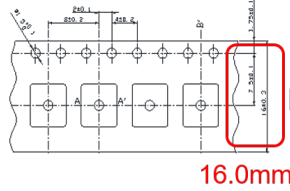
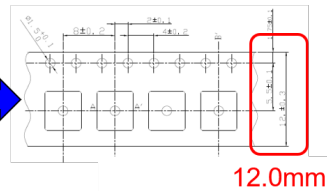
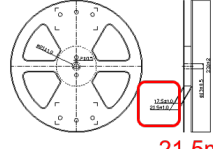
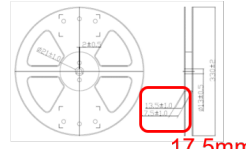
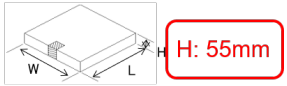
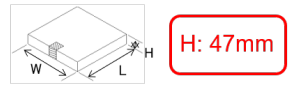


Product Change Notice: ETQ-P3M***KVP Series Power Inductors Taping Change

PCN.PG47.09.27.2021

09.27.2021

About This Notice:	Panasonic will unify the width of the carrier tape to 12 mm for ETQ-P3M***KVP Series Power Inductors because the industry standard 5x5x3mm type is a 12mm width tape. Panasonic will use 12 mm tape as the mainstream. 
Effective Date:	December 1st, 2021
Change Details:	See below.
Affected Parts:	See attached.
Datasheet(s):	See attached.
Notes:	

	Before(16mm)	After(12mm)
Carrier tape	 16.0mm	 12.0mm
Reel dimension	 21.5mm	 17.5mm
Outer box dimension	 H: 55mm	 H: 47mm